

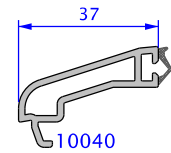
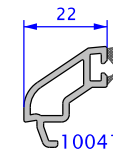
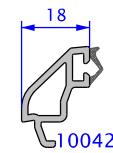
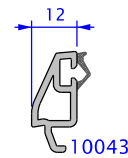
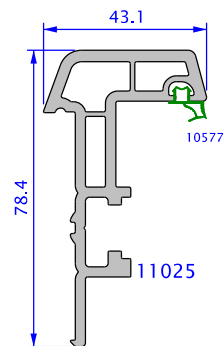
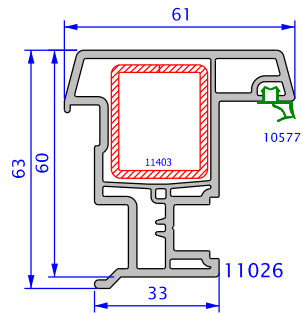
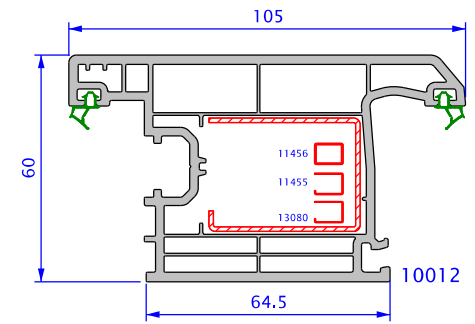
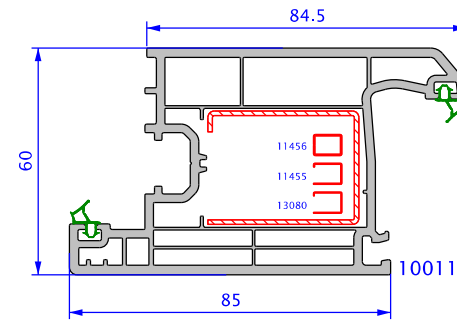
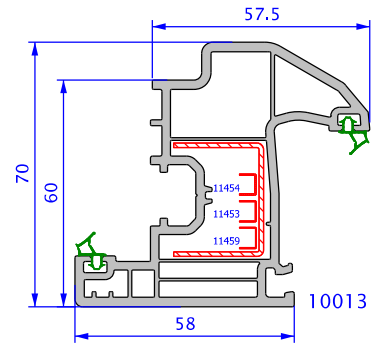
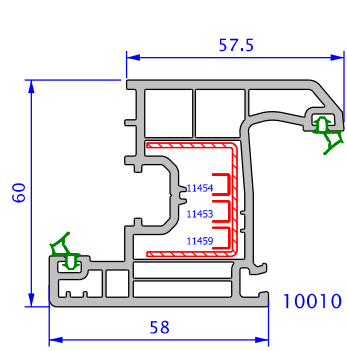
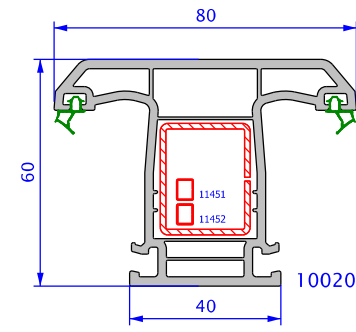
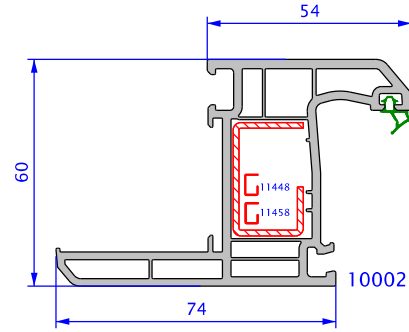
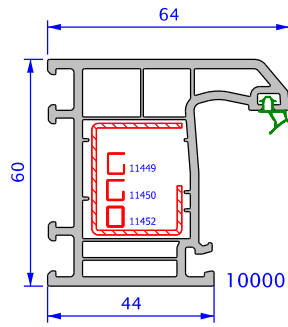


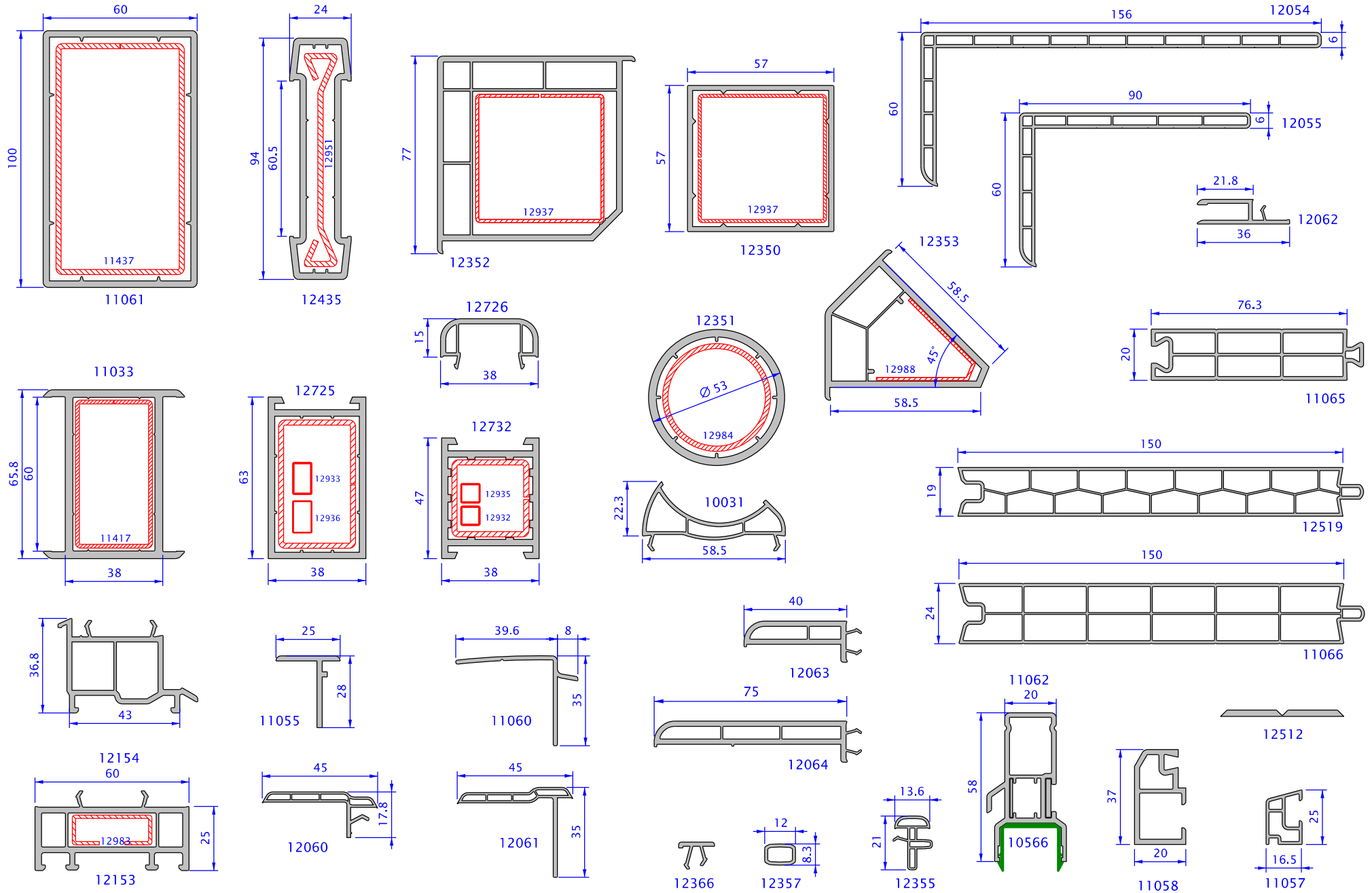


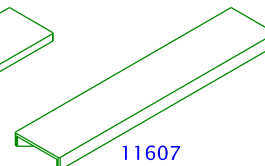
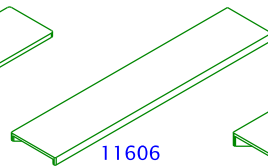
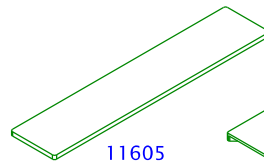
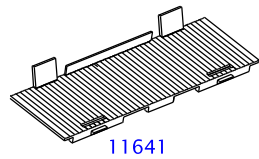
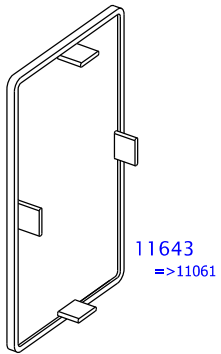
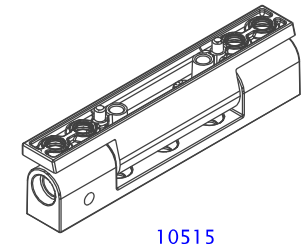
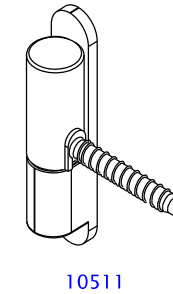
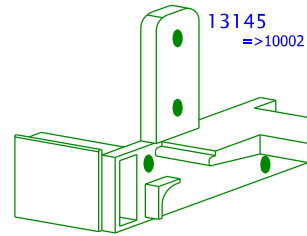
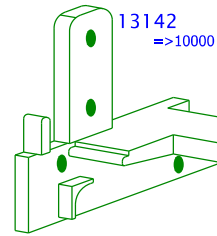
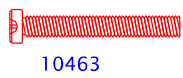
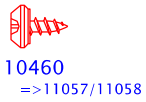
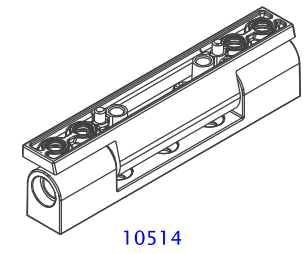
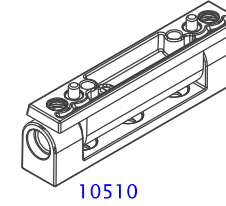
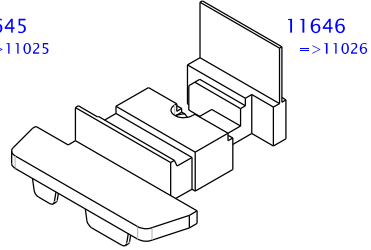
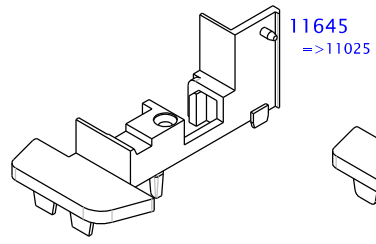
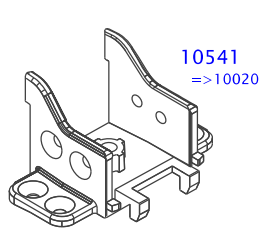
C A R I N A<sup>®</sup>

T E C H N I C A L M A N U A L

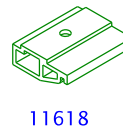
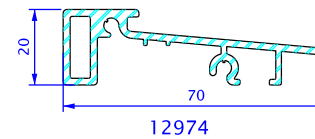
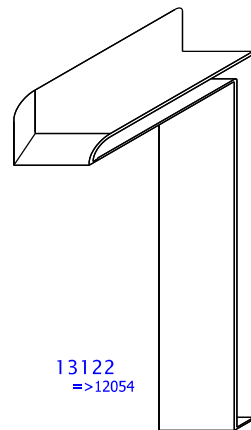
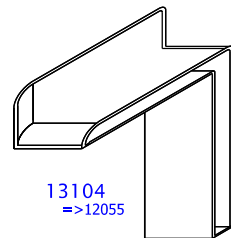
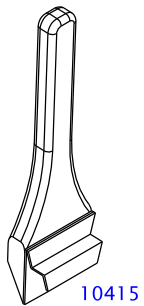
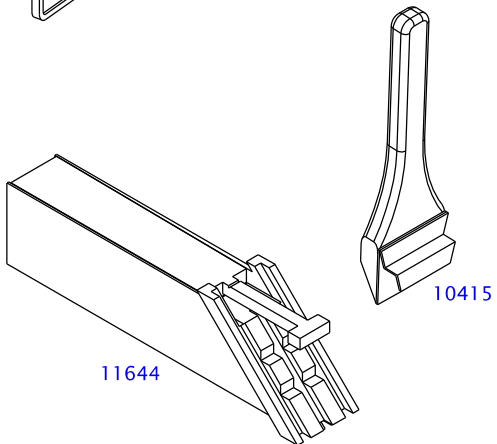
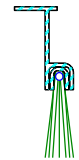
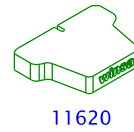
	<u>page number</u>
System Profiles	1.1 – 1.3
Main Profiles	2.1 – 2.6
Glazing Beads	2.7 – 2.8
Auxiliary Profiles & Products	3.1 – 3.7
Sections	4.1 – 4.42



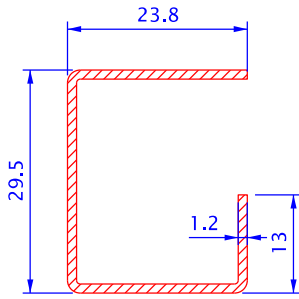
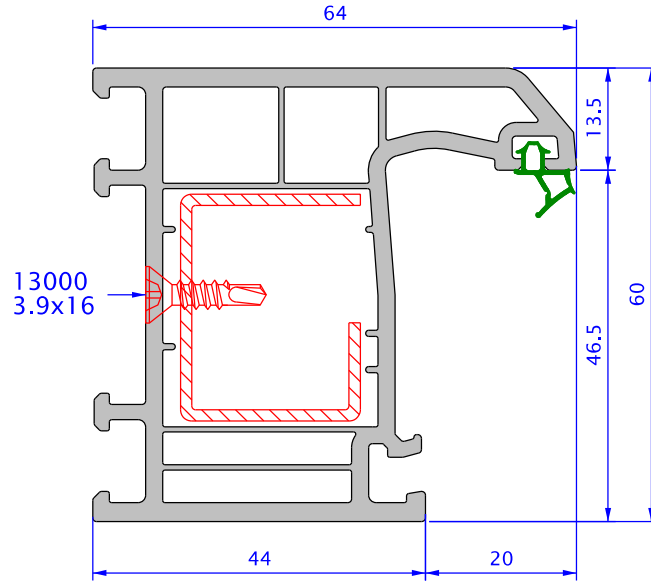




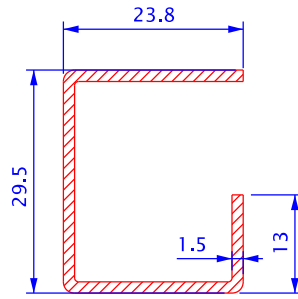
10511



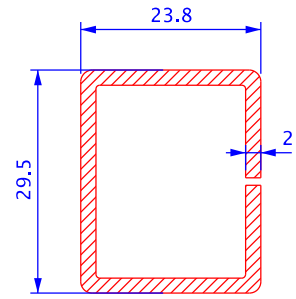
10000  
CARINA FRAME



Y ↑ 11449  
Ix : 1.40 cm<sup>4</sup>  
Iy : 0.80 cm<sup>4</sup>  
X →



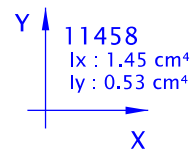
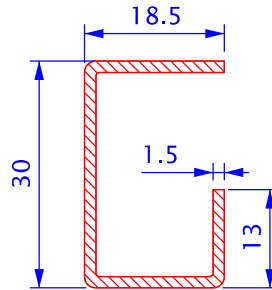
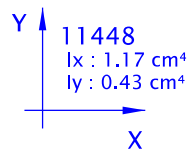
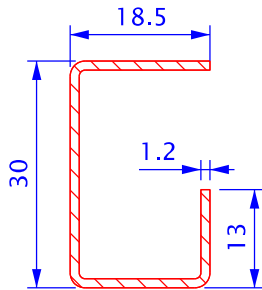
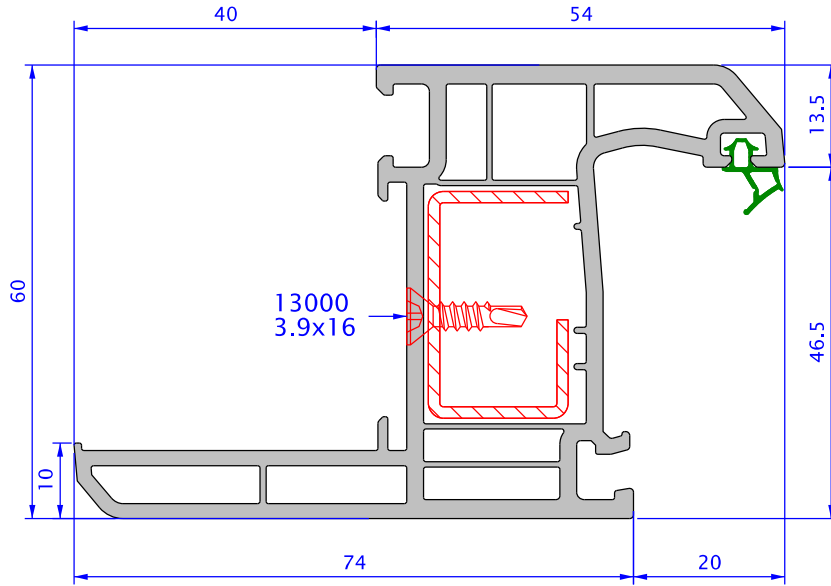
Y ↑ 11450  
Ix : 1.68 cm<sup>4</sup>  
Iy : 0.96 cm<sup>4</sup>  
X →



Y ↑ 11452  
Ix : 2.25 cm<sup>4</sup>  
Iy : 1.57 cm<sup>4</sup>  
X →

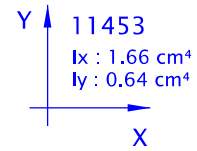
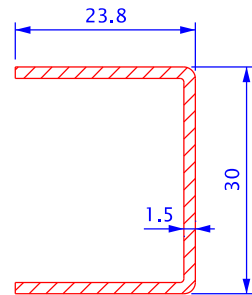
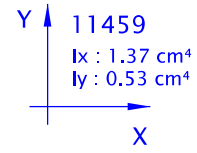
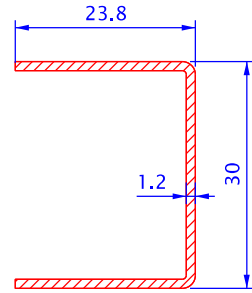
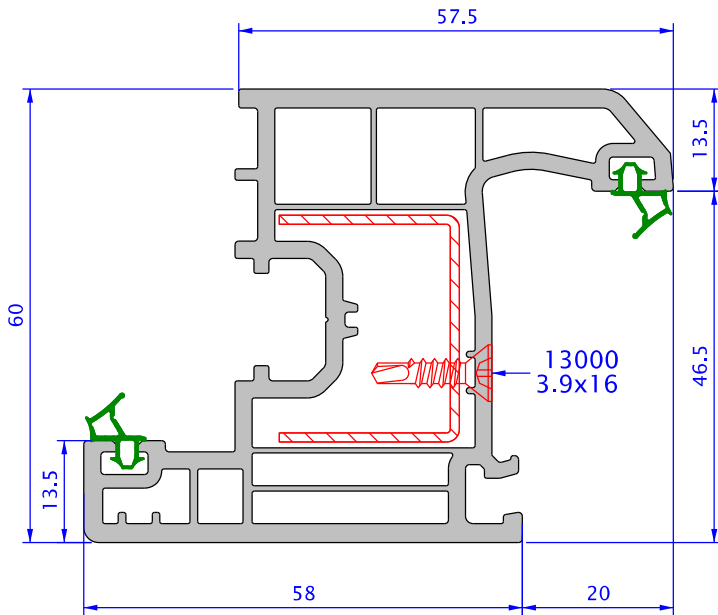
10002

CARINA ARCHITRAVE FRAME

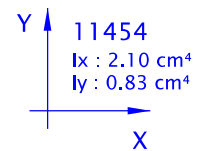
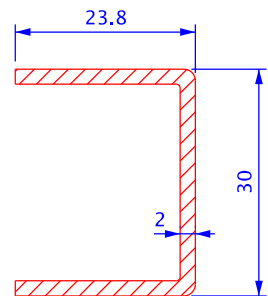
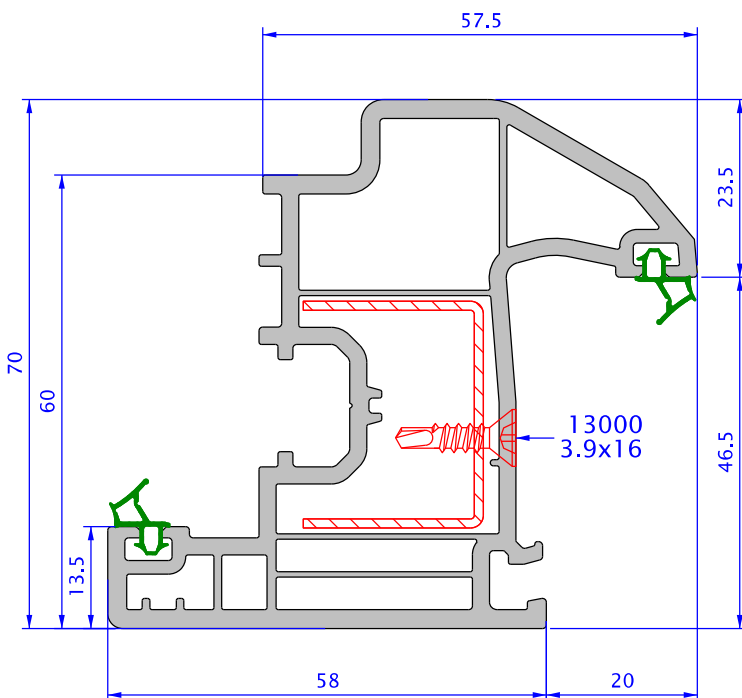




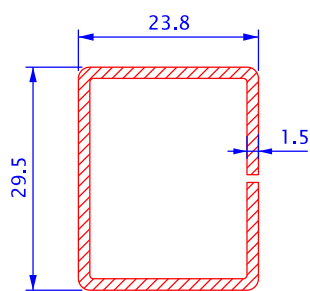
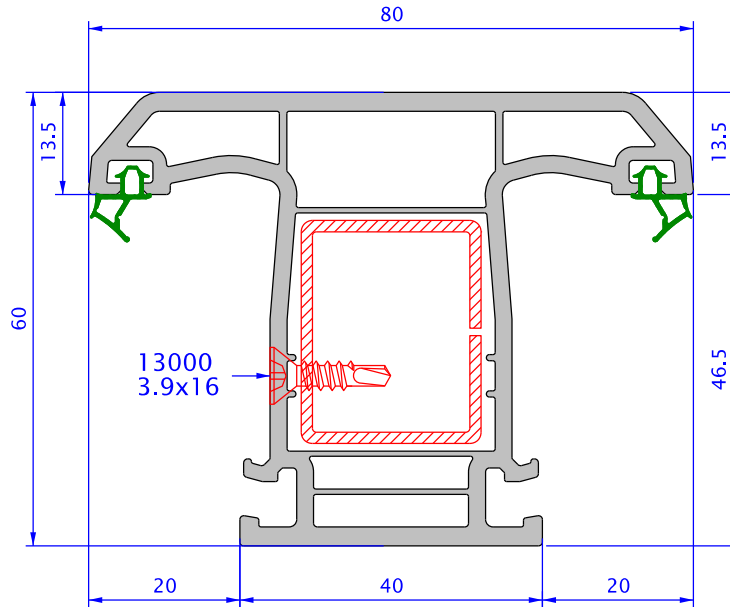
10010  
CARINA SASH



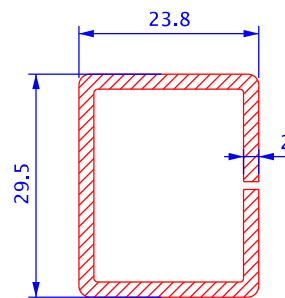
10013  
CARINA RECESSED SASH



10020  
CARINA TRANSOM

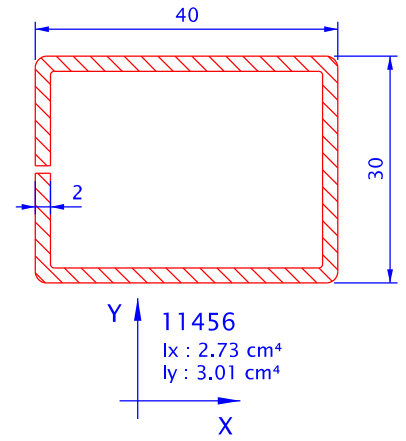
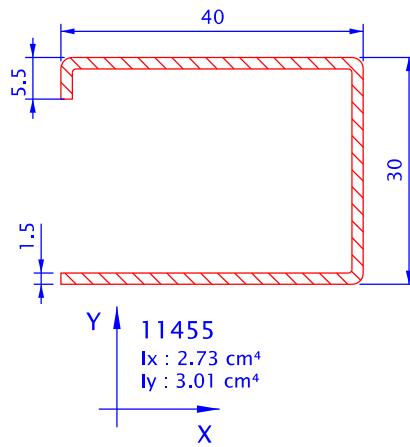
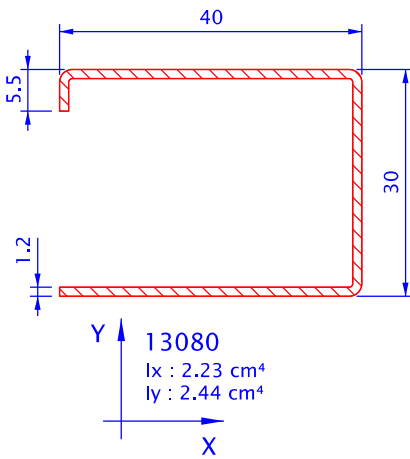
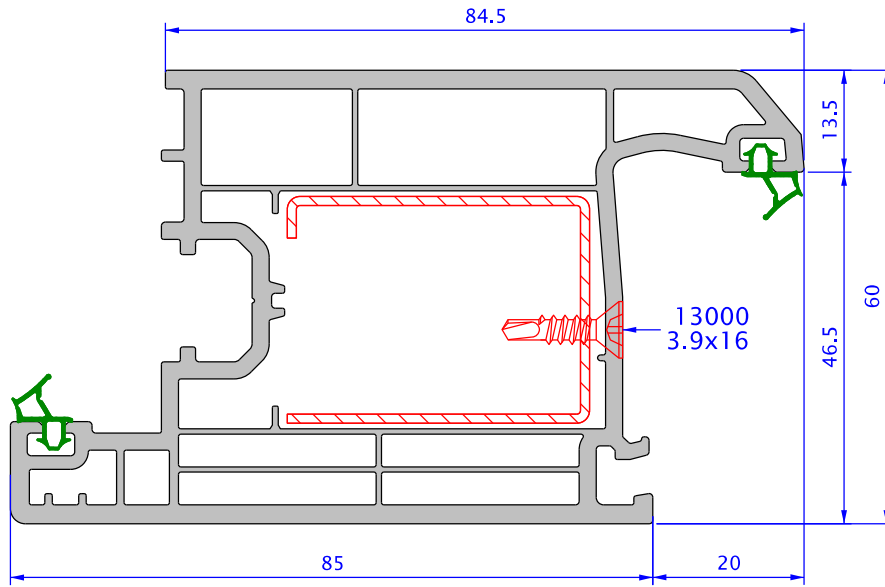


Y ↑  
11451  
Ix : 1.79 cm<sup>4</sup>  
Iy : 1.26 cm<sup>4</sup>  
X →

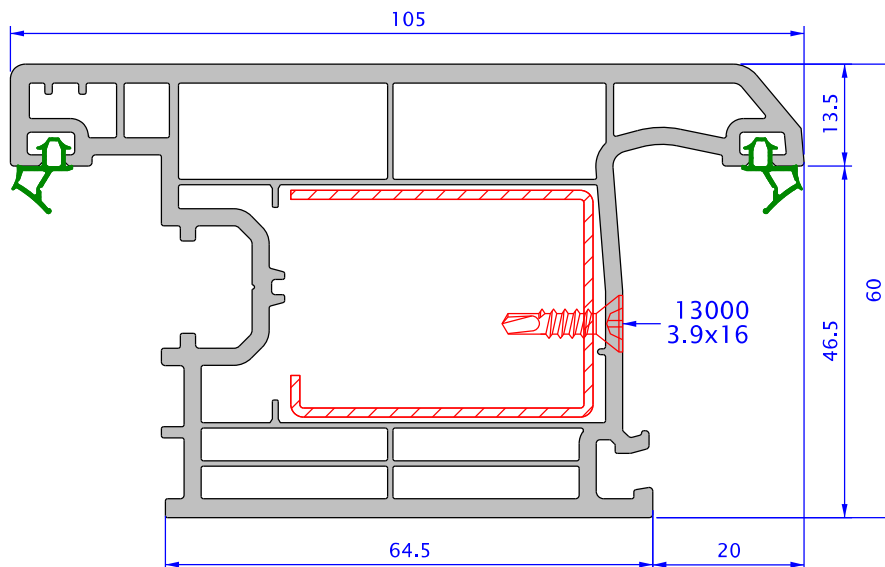


Y ↑  
11452  
Ix : 2.25 cm<sup>4</sup>  
Iy : 1.57 cm<sup>4</sup>  
X →

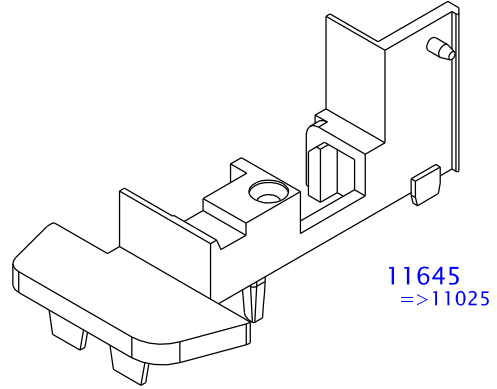
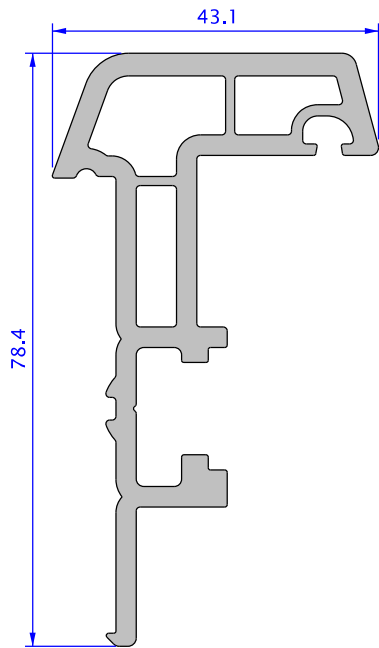
10011  
CARINA DOOR SASH



10012  
CARINA OUTWARD OPENING DOOR SASH

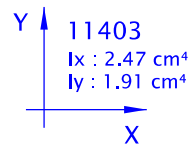
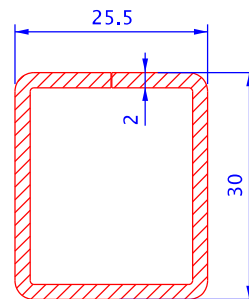
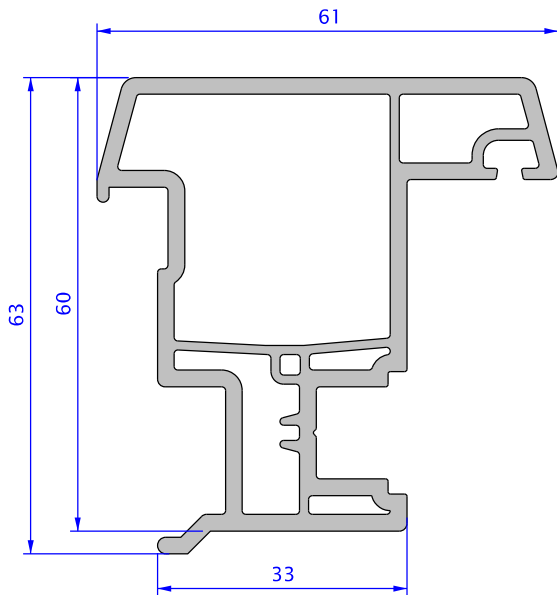


11025  
FALSE MULLION

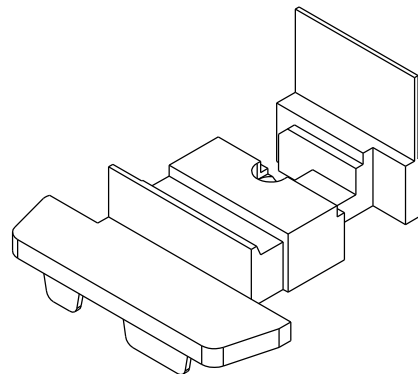


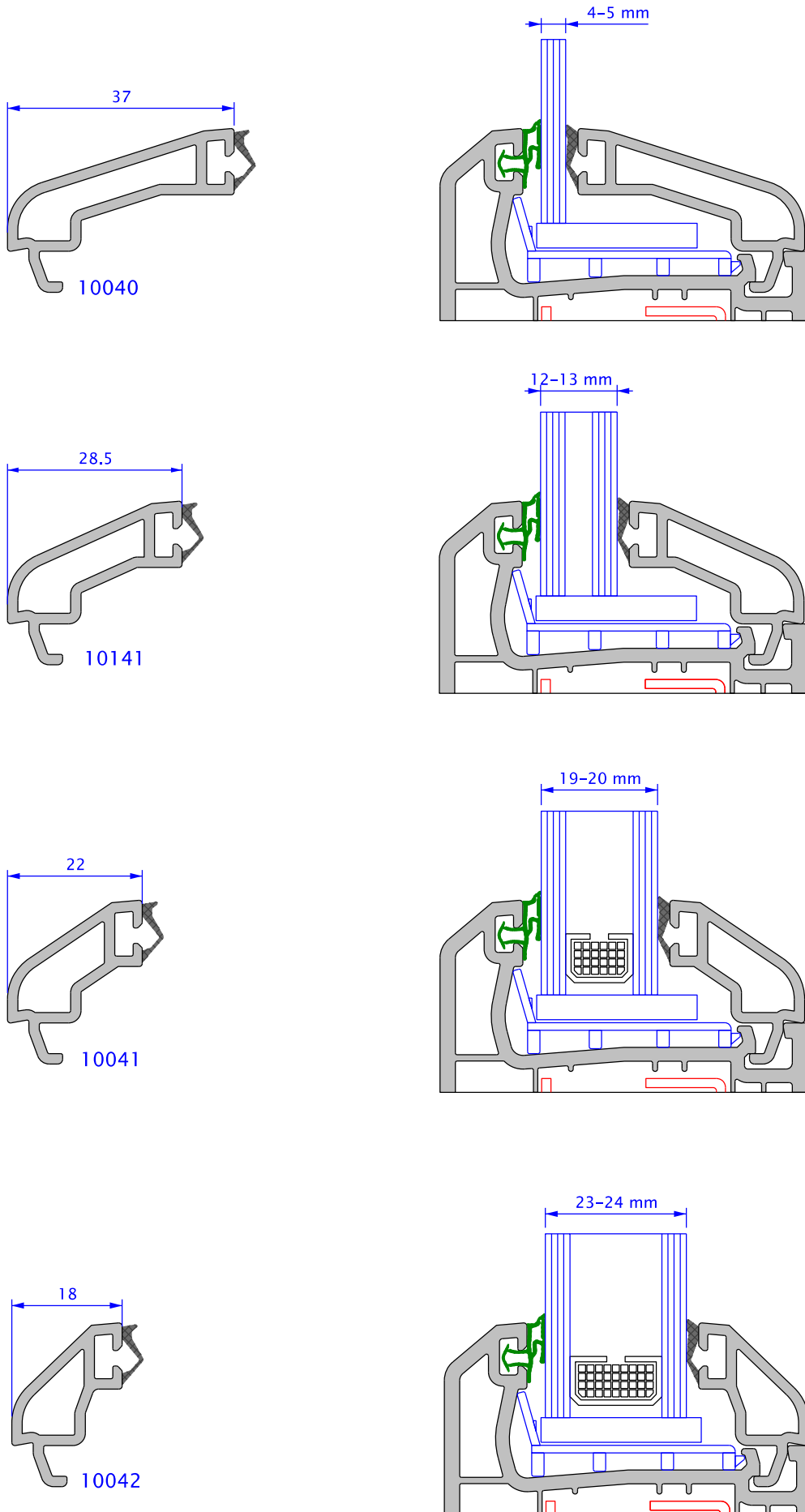
11645  
=>11025

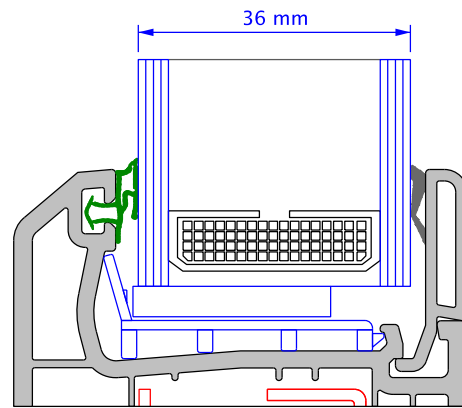
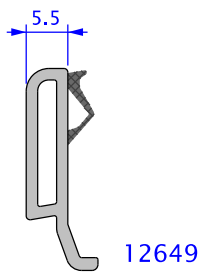
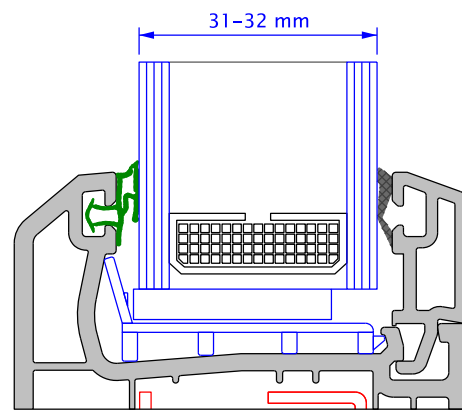
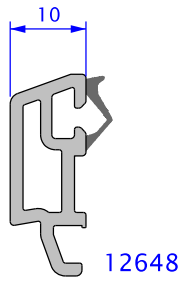
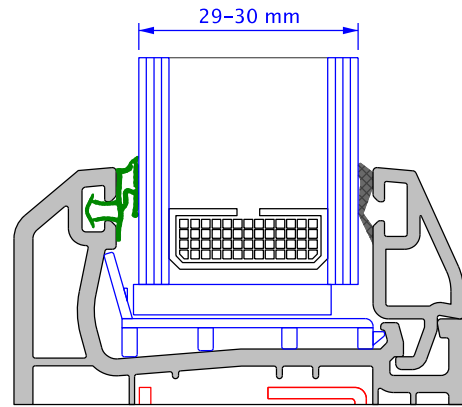
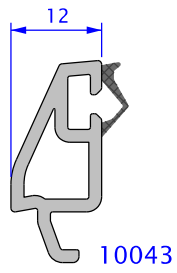
11026  
FALSE MULLION 62 mm

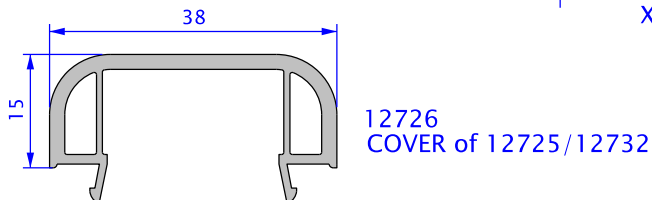
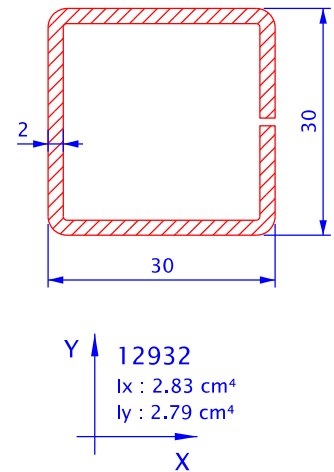
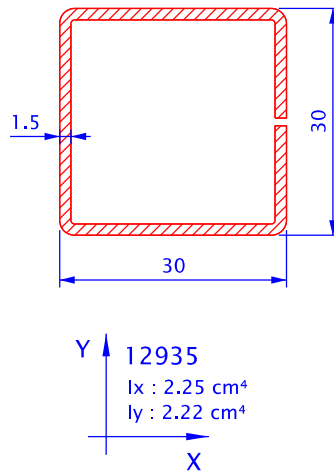
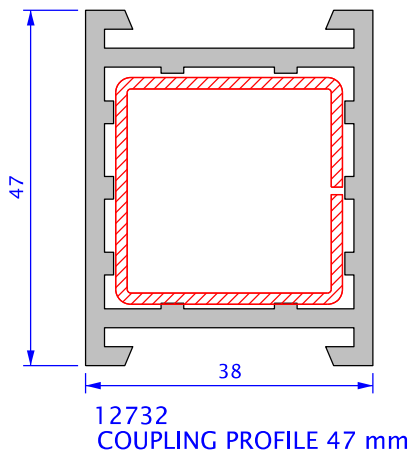
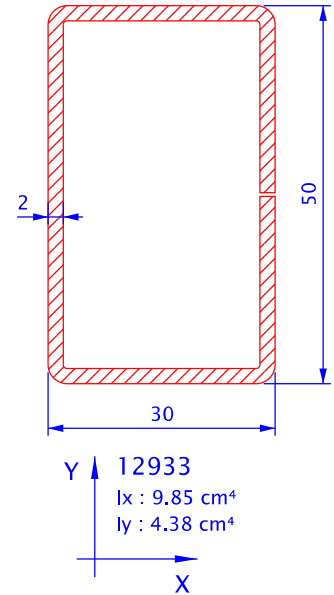
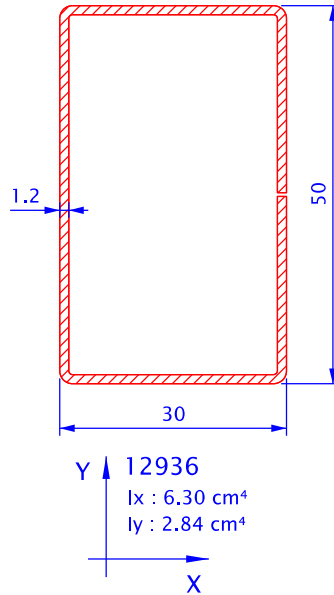
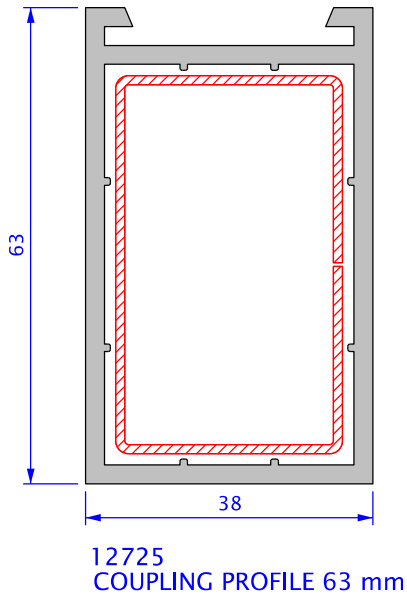
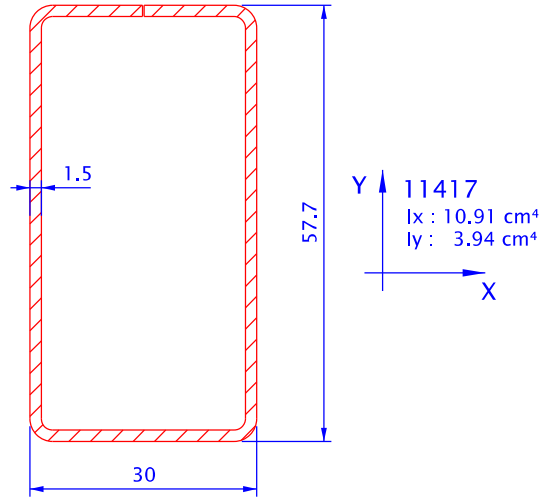
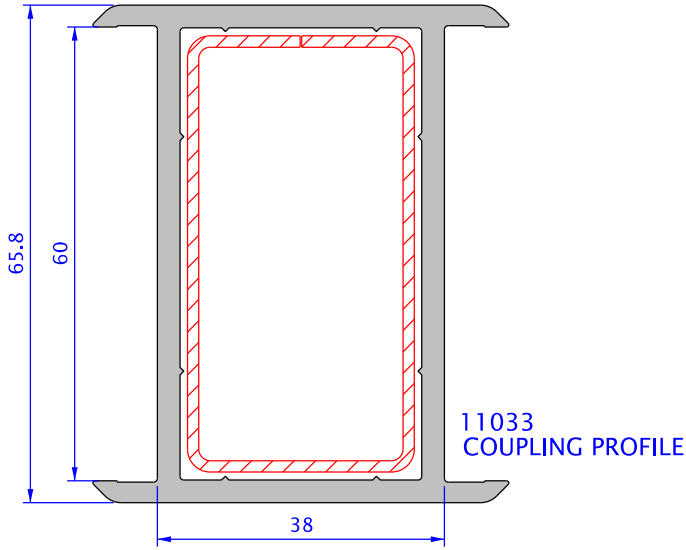


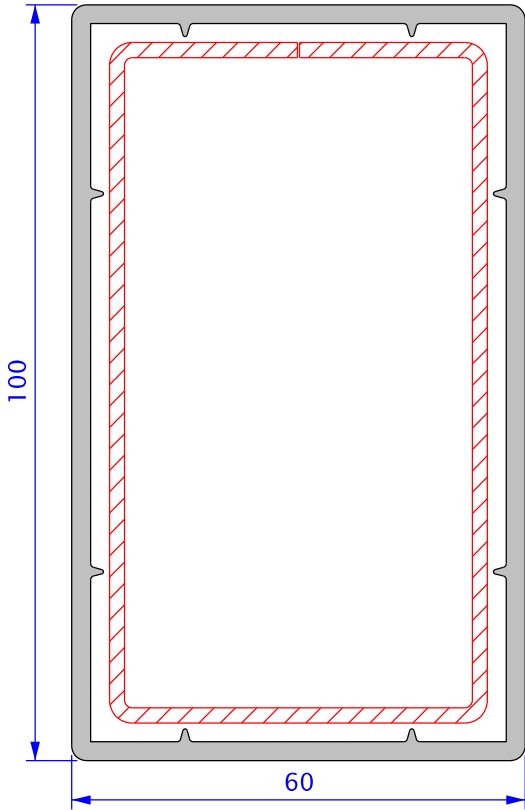
11646  
=>11026



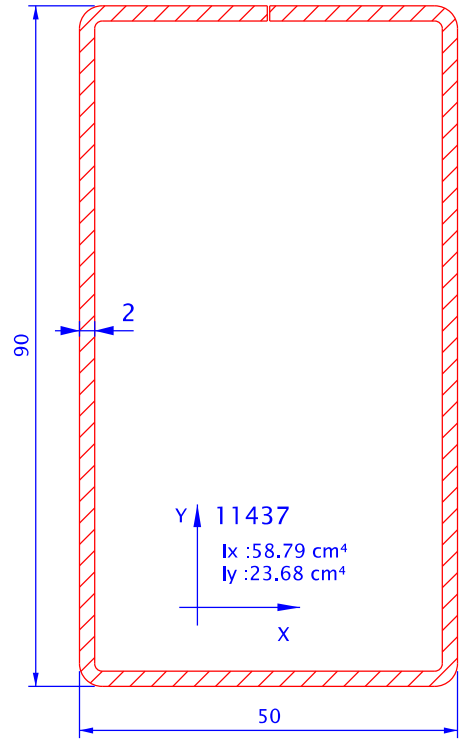




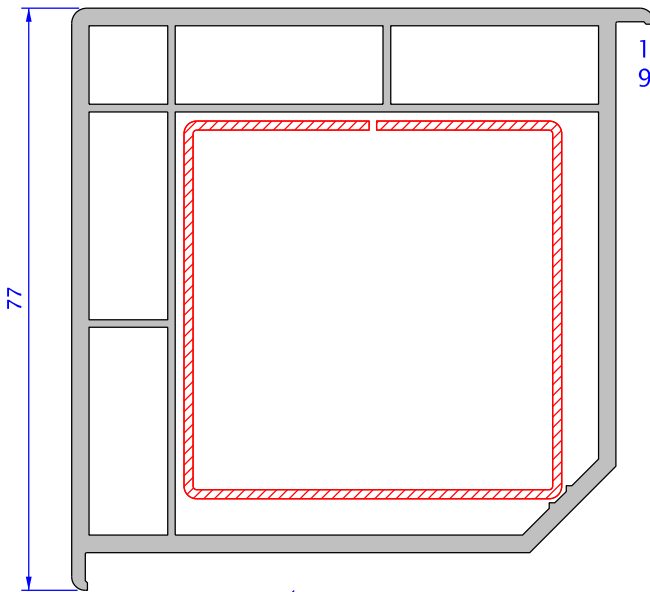




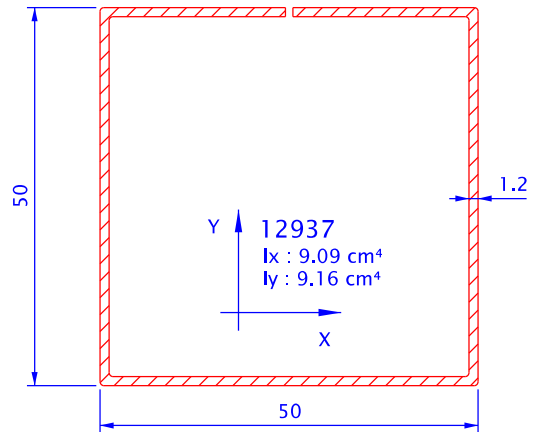
11061  
60 x 100 CONNECTING PRF.



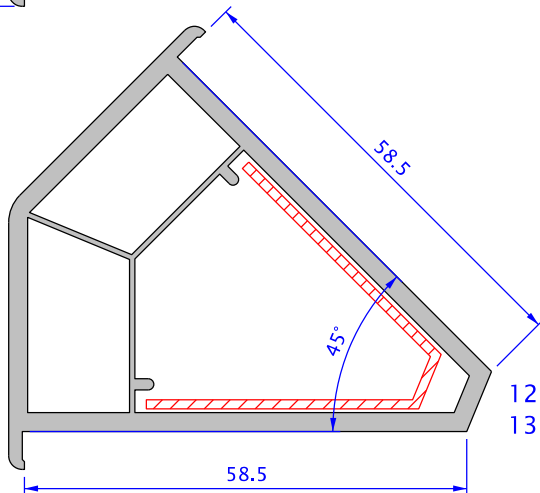
Y ↑ 11437  
Ix : 58.79 cm<sup>4</sup>  
Iy : 23.68 cm<sup>4</sup>  
X →



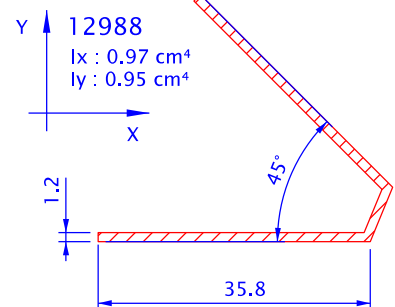
12352  
90° ANGLED CORNER



Y ↑ 12937  
Ix : 9.09 cm<sup>4</sup>  
Iy : 9.16 cm<sup>4</sup>  
X →

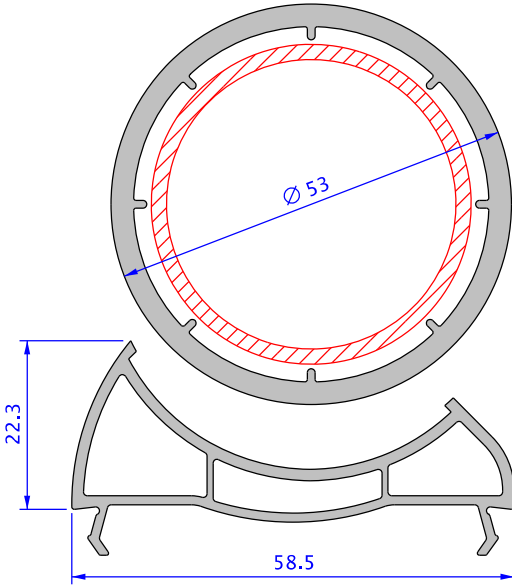


12353  
135° ANGLED CORNER



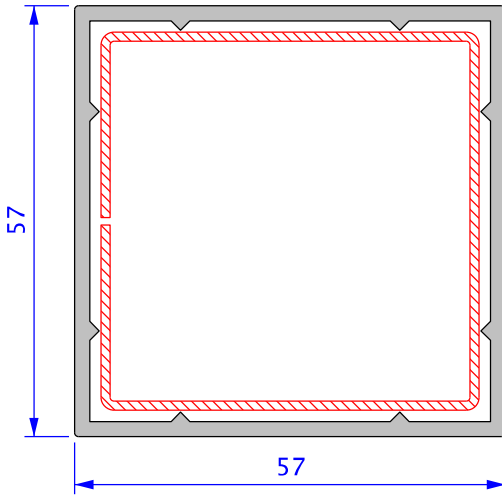
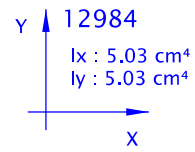
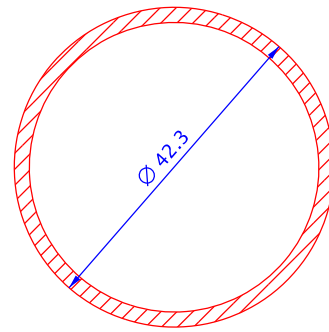
Y ↑ 12988  
Ix : 0.97 cm<sup>4</sup>  
Iy : 0.95 cm<sup>4</sup>  
X →



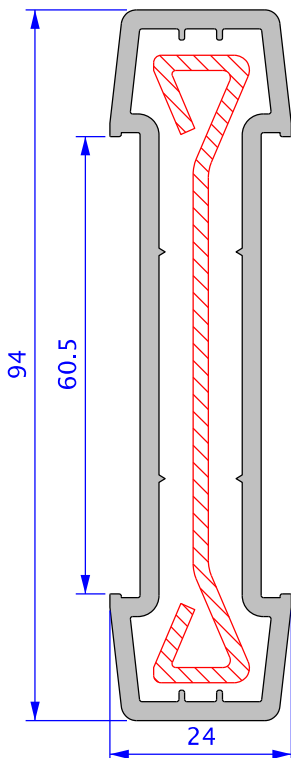
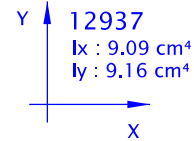
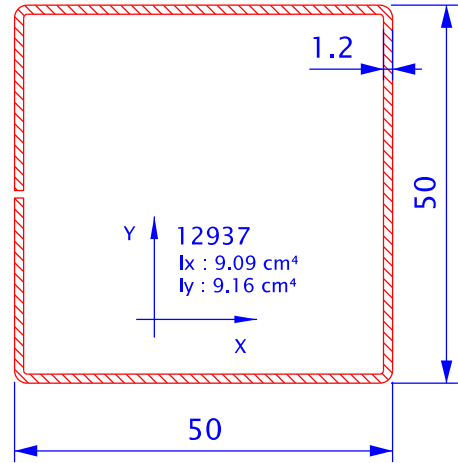


12351  
COUPLING PROFILE

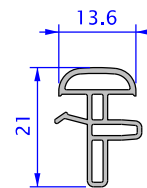
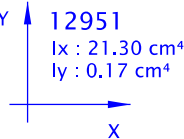
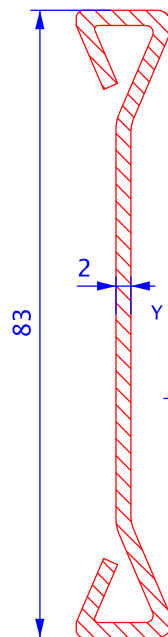
10031  
60 mm VARIABLE ANGLE



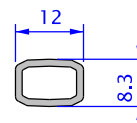
12350  
57x57 PVC BOX



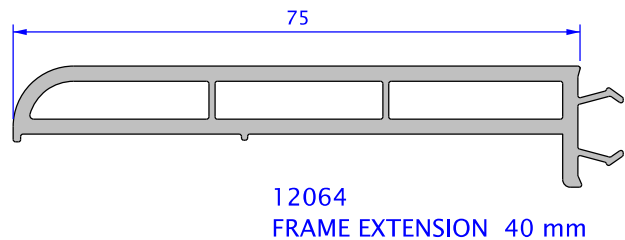
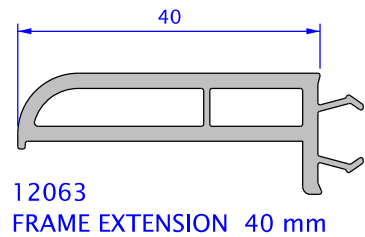
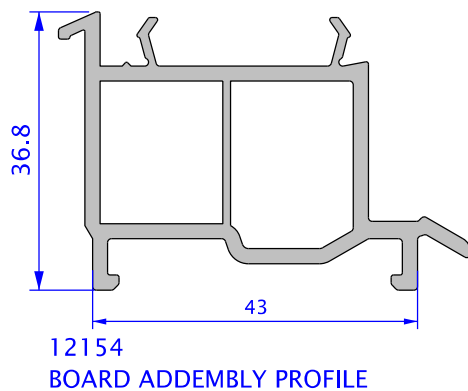
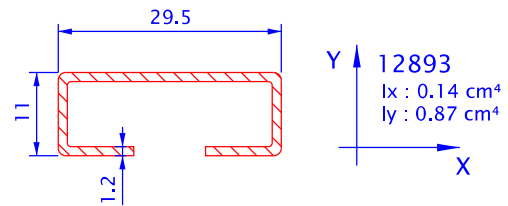
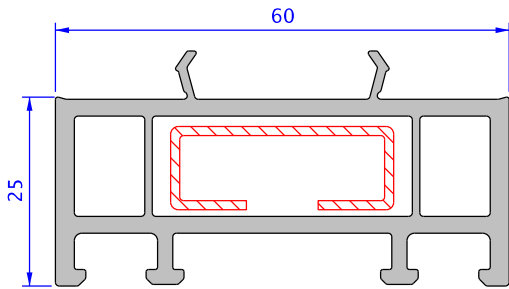
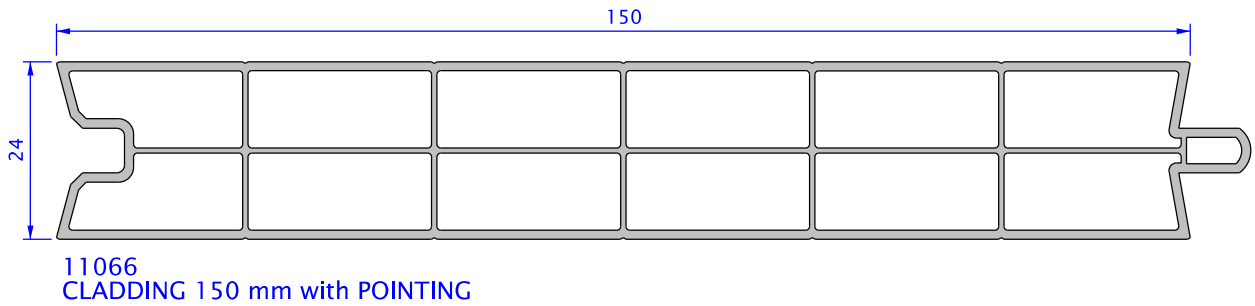
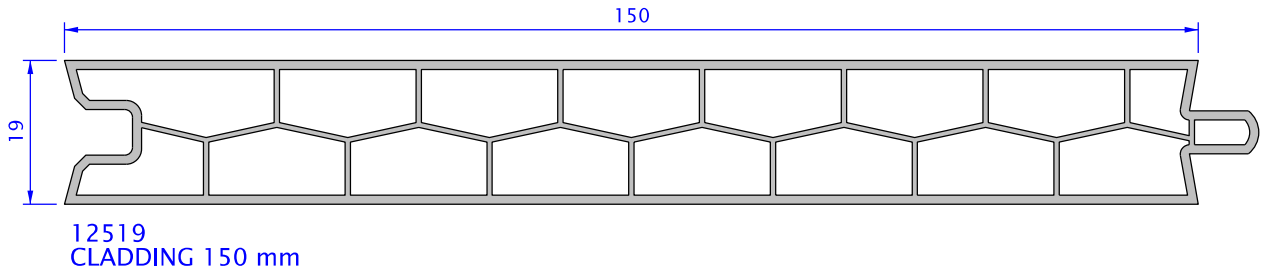
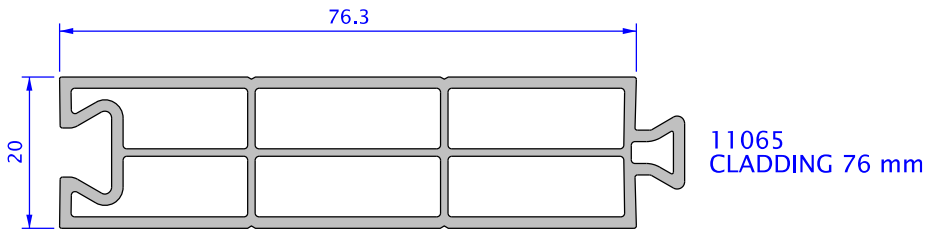
12435  
GREYAJ 60 mm

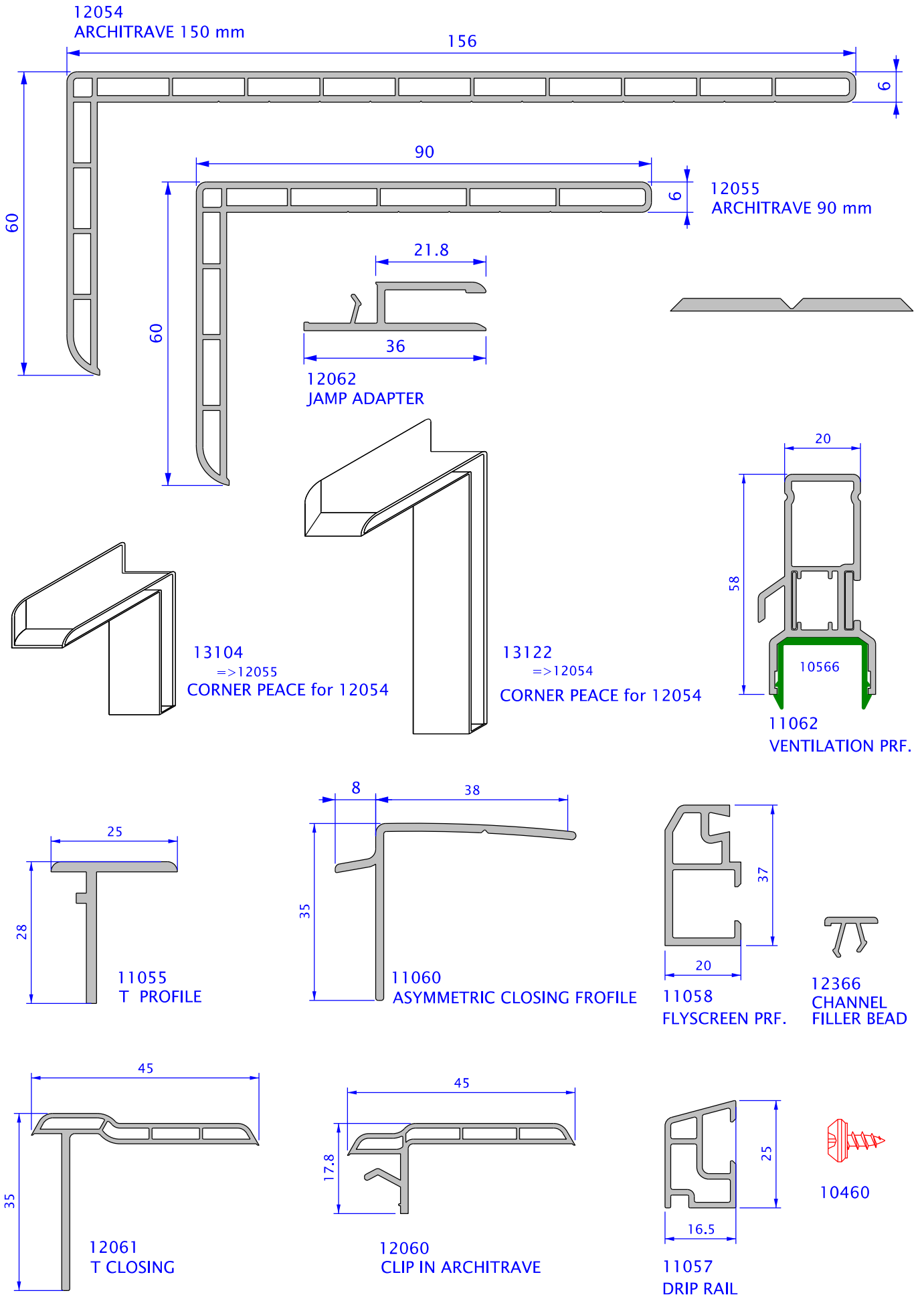


12355  
DECORATIVE COUPLING

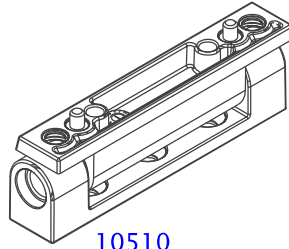
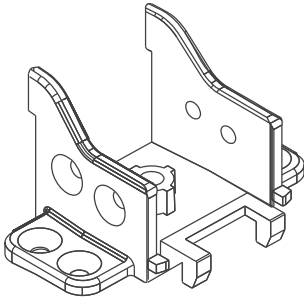


12357  
CONCEALED COUPLING

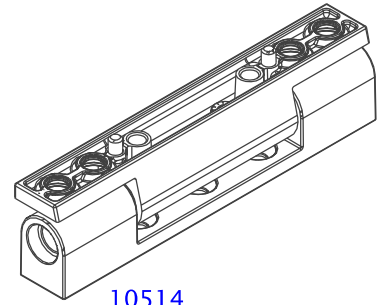




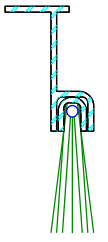
10541  
=>10020  
MECHANICAL JOINT



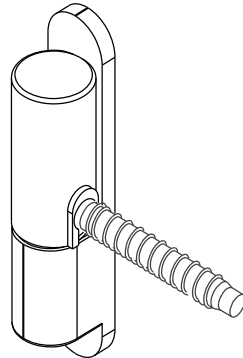
10510  
HINGE 75 mm



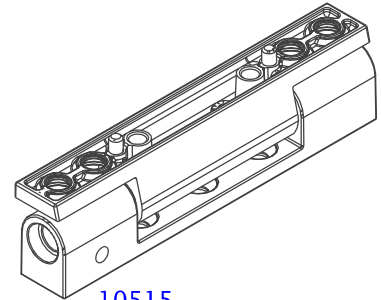
10514  
HINGE 100 mm



10407  
THRESHOLD BRUSH



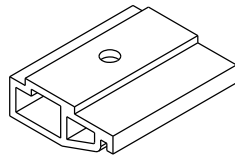
10511  
PIPE WINDOW HINGE



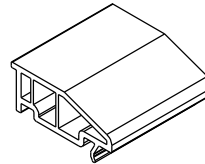
10515  
OUTWARD OP.HINGE 100 mm



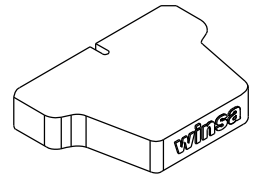
11600  
COVER CAP



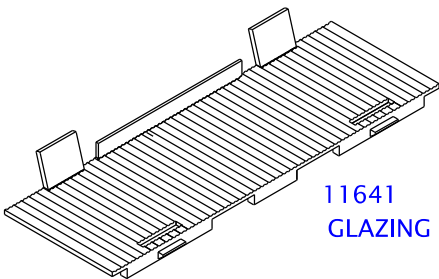
11618  
SASH LIFTING BLOCK



11642  
SPACE BLOCK



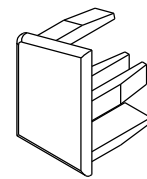
11620  
VENTILATION HOLDER



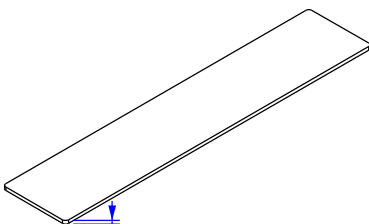
11641  
GLAZING SUPPORT



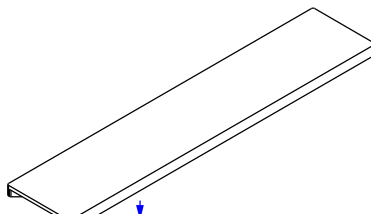
11601  
DRAINAGE CAP



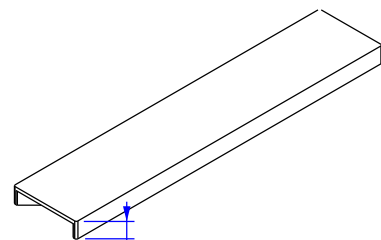
11619  
ENDCAP for WEATHER BAR



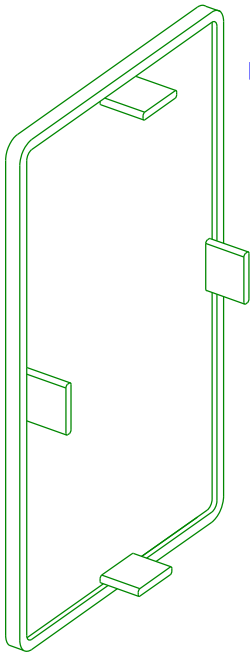
11605  
GLAZING SUPPORT 1 mm



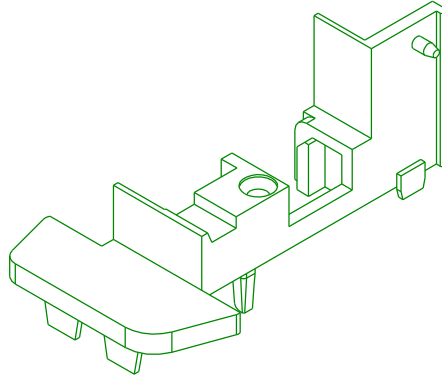
11606  
GLAZING SUPPORT 3 mm



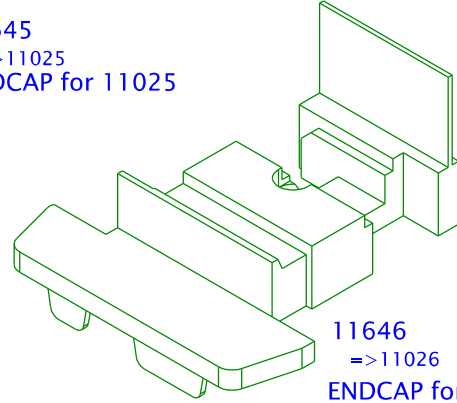
11607  
GLAZING SUPPORT 5 mm



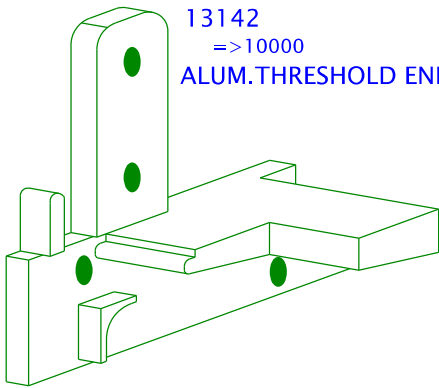
11643  
ENDCAP for 11061



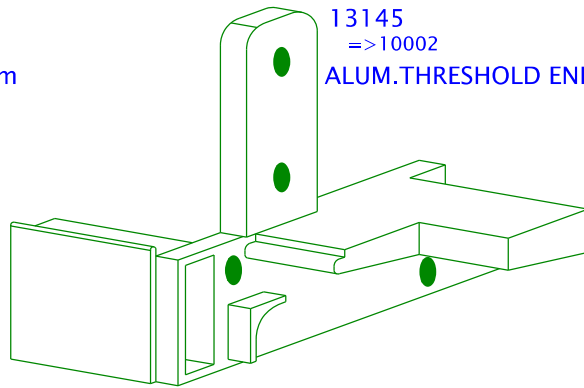
11645  
=>11025  
ENDCAP for 11025



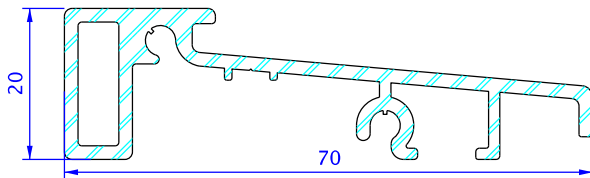
11646  
=>11026  
ENDCAP for 11026



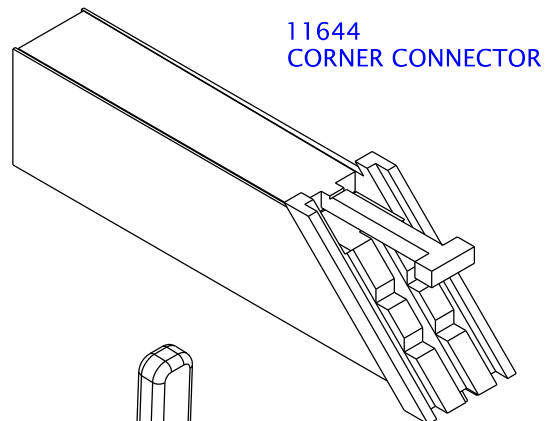
13142  
=>10000  
ALUM.THRESHOLD ENDCAP 60 mm



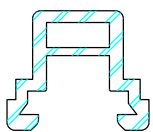
13145  
=>10002  
ALUM.THRESHOLD ENDCAP 60 mm



12974  
ALUMINIUM CILL



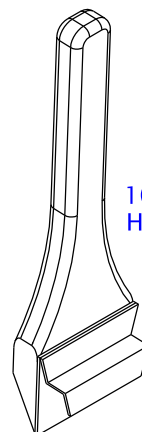
11644  
CORNER CONNECTOR



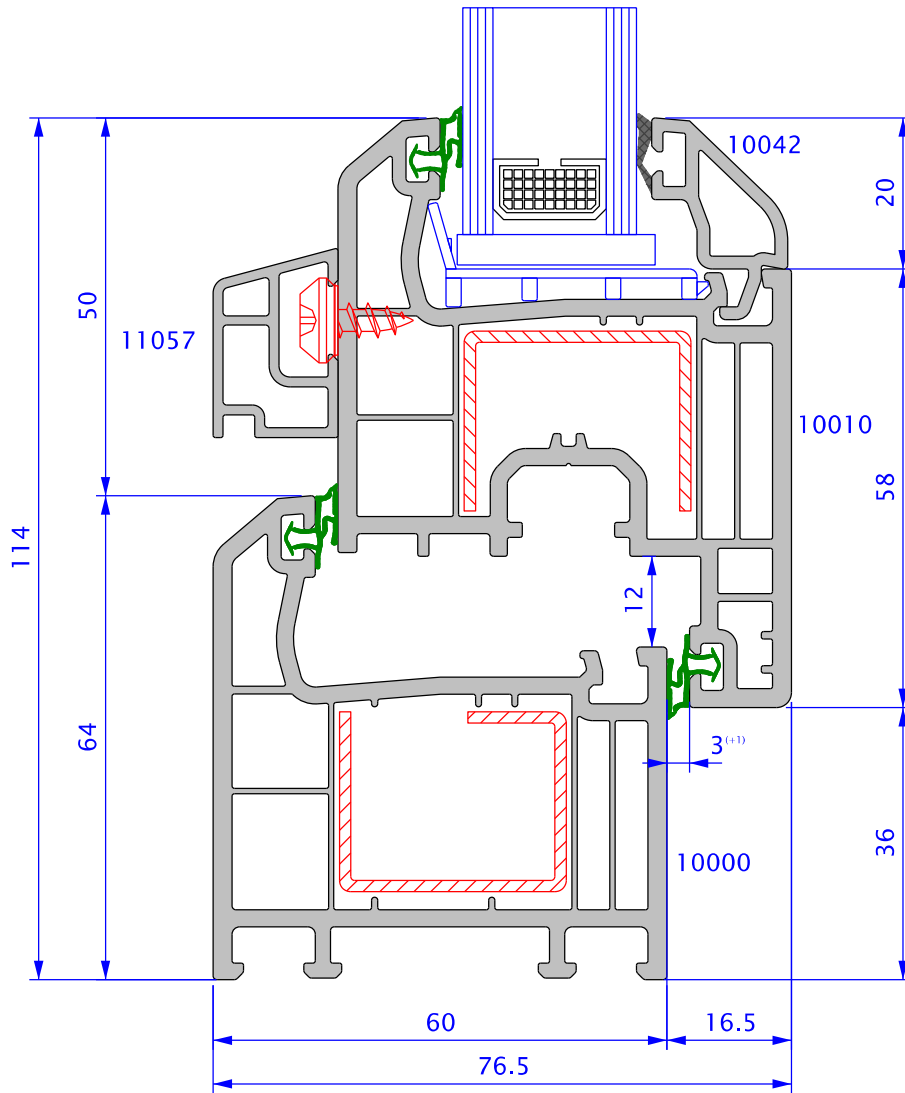
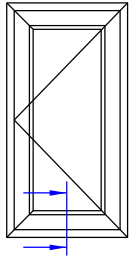
12975  
THRESHOLD GASKET GUIDE

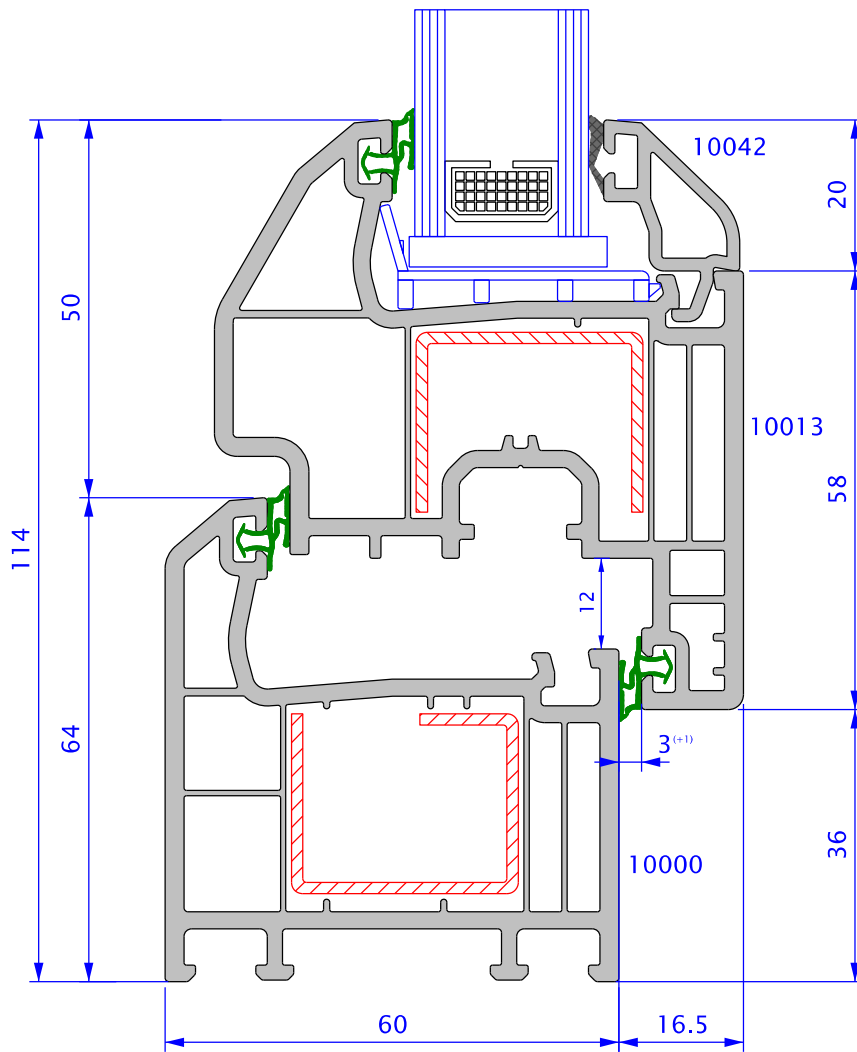
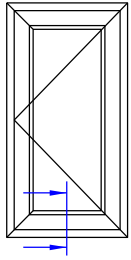


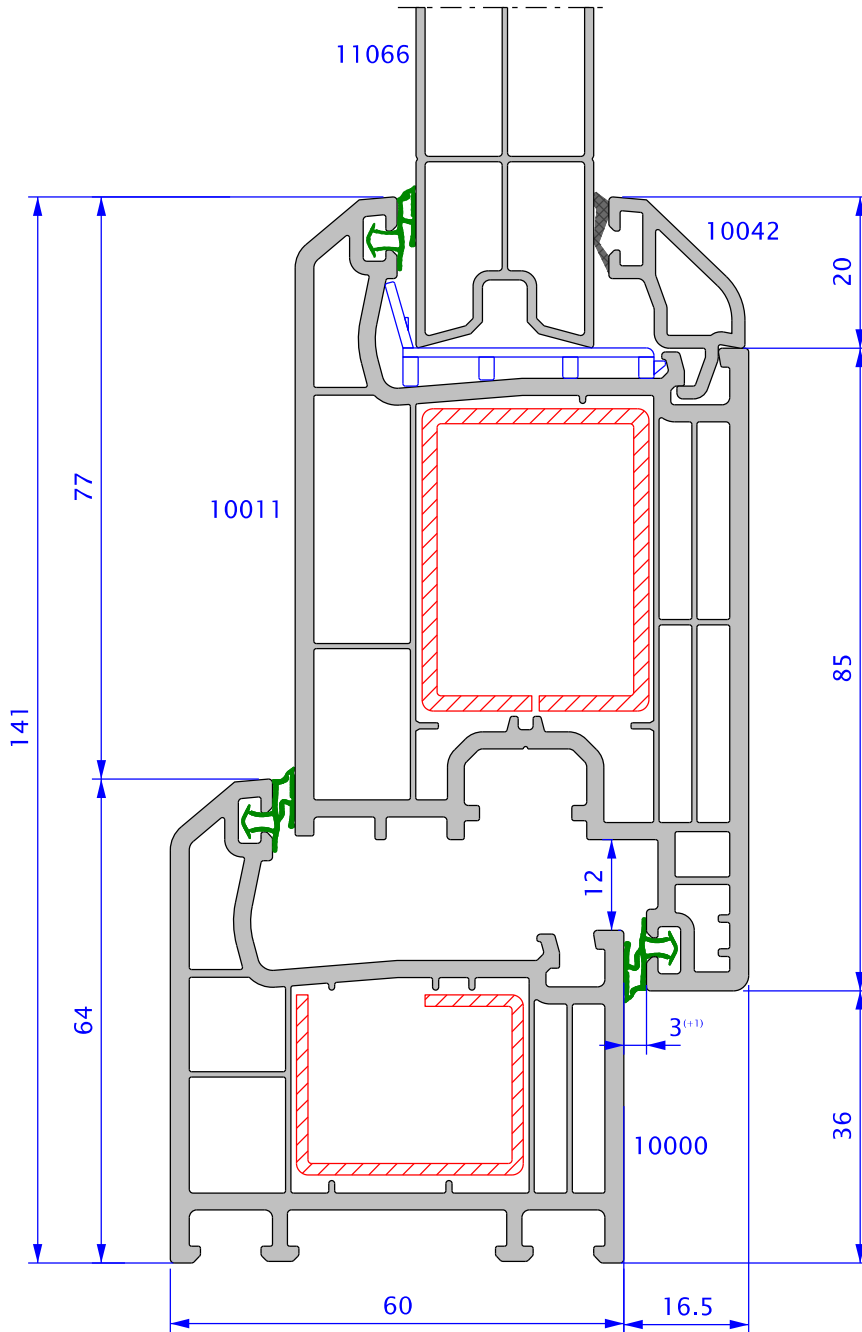
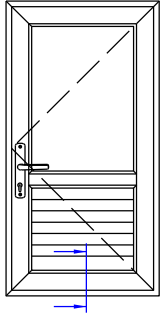
12960  
THRESHOLD GASKET



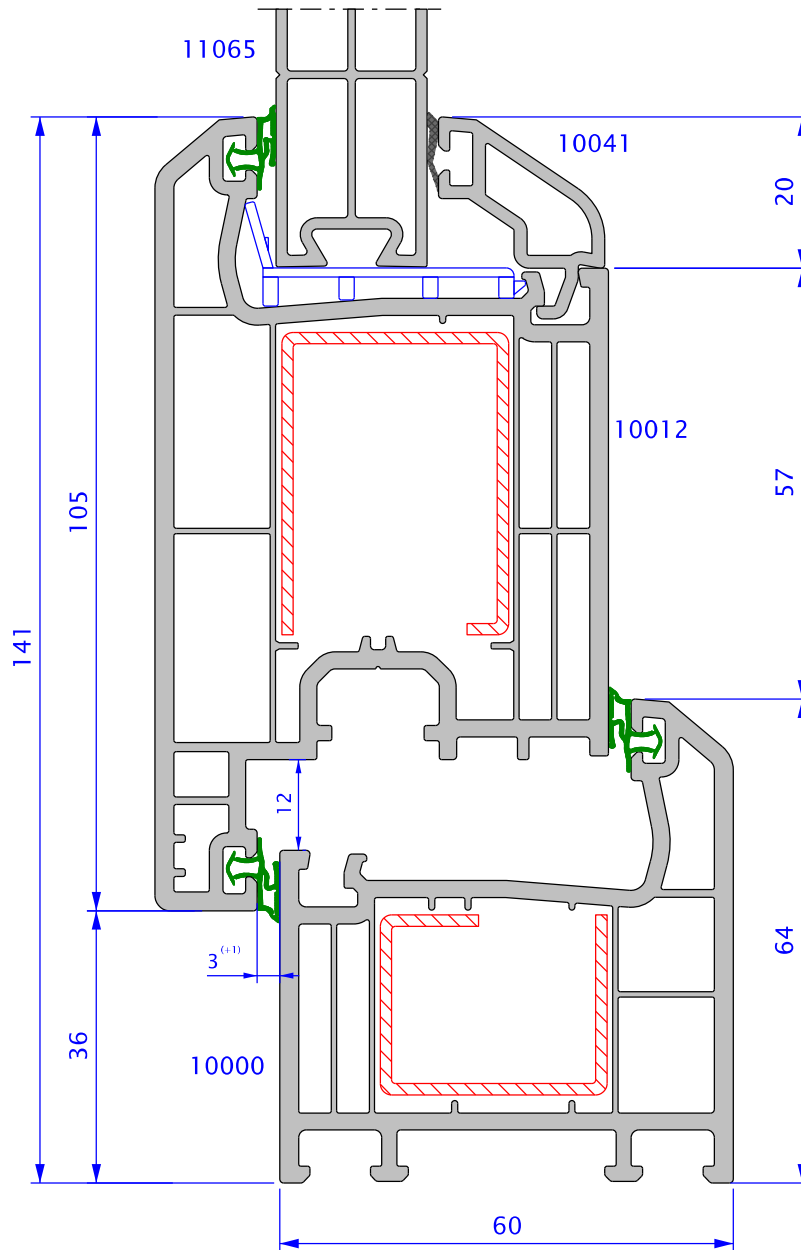
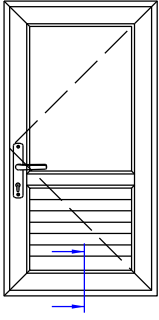
10415  
HANDLE for 11644

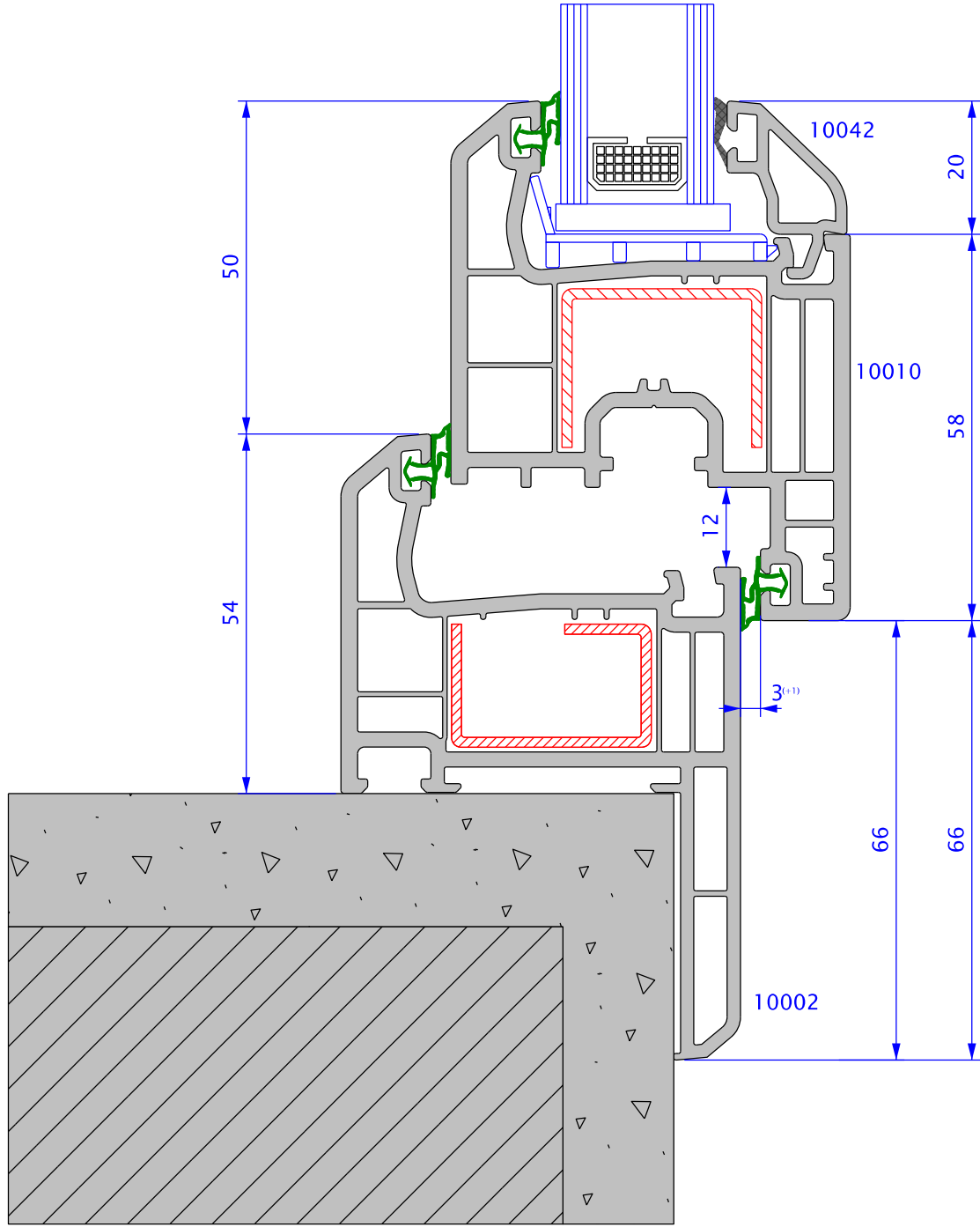
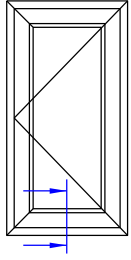


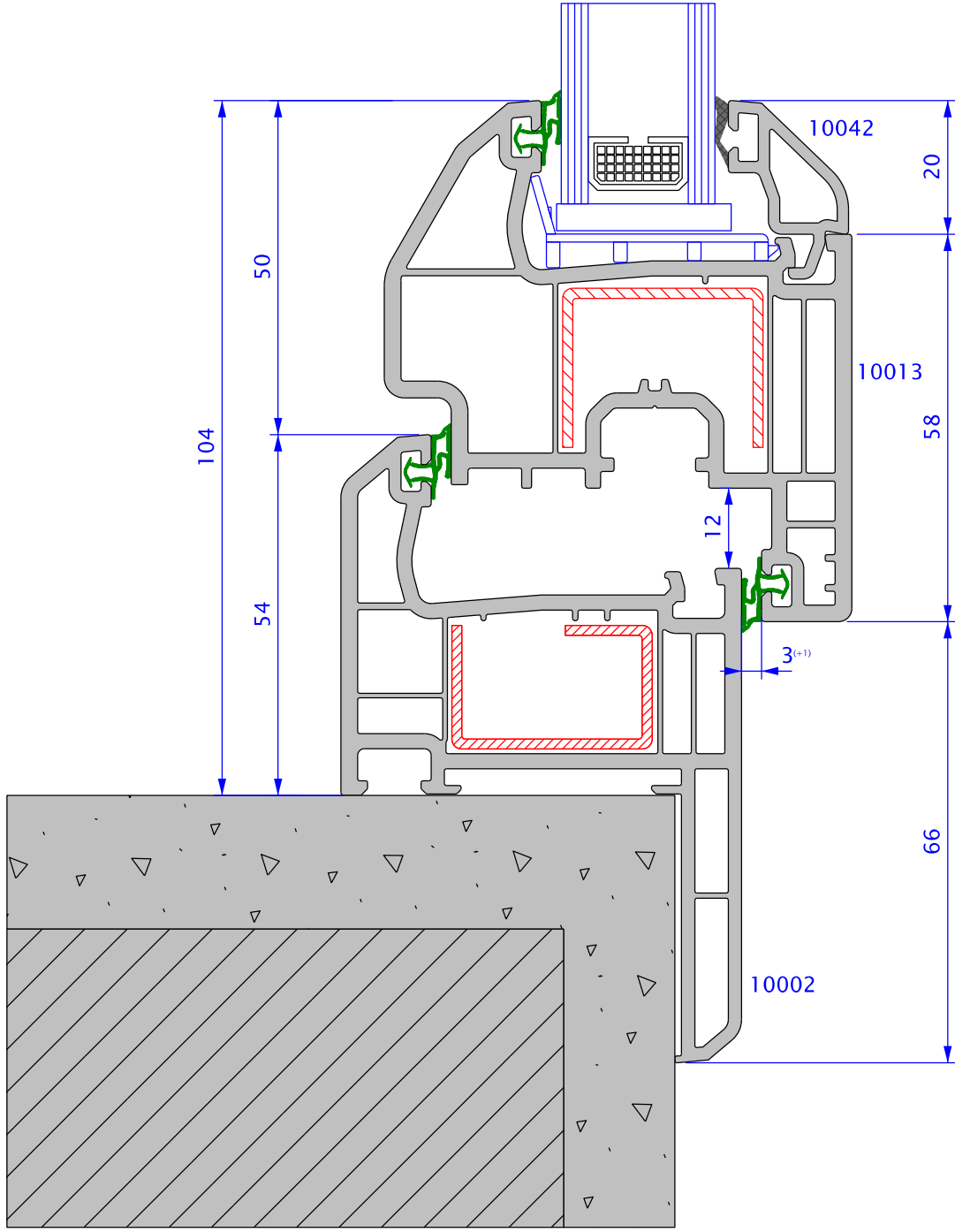
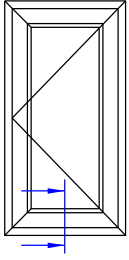


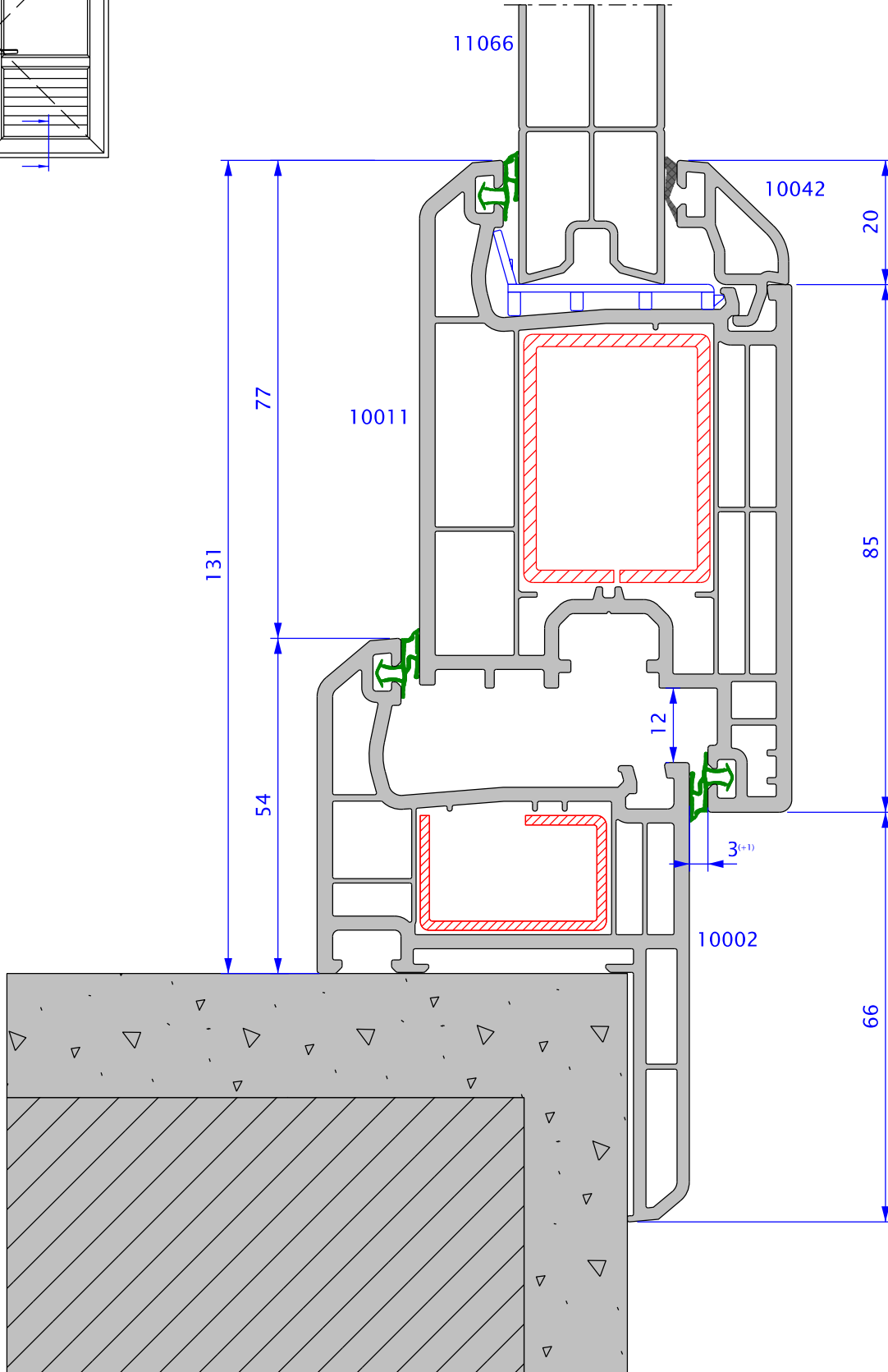
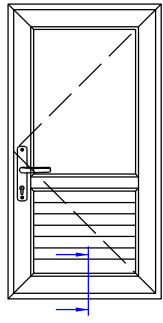


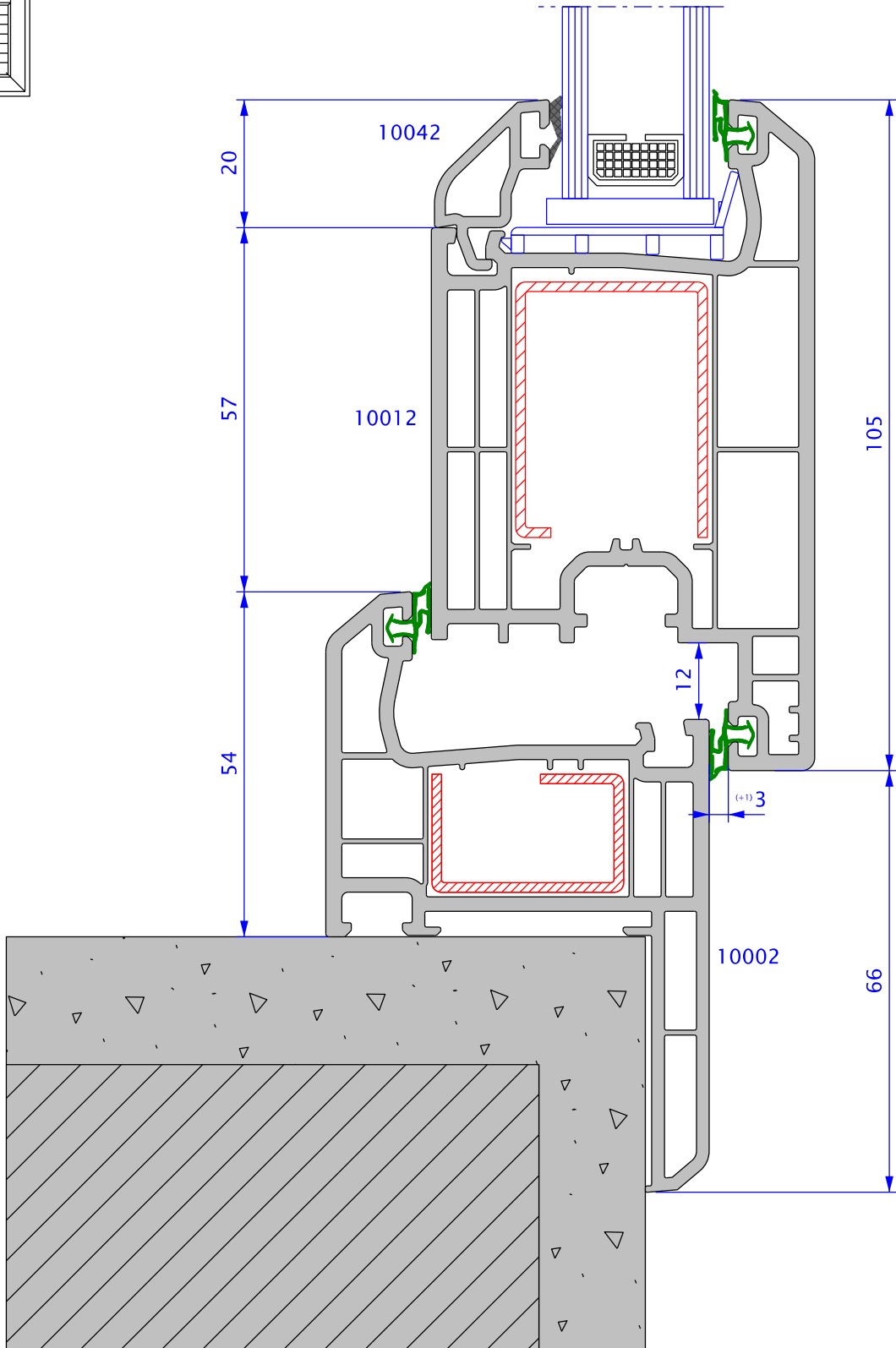
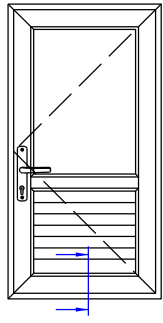


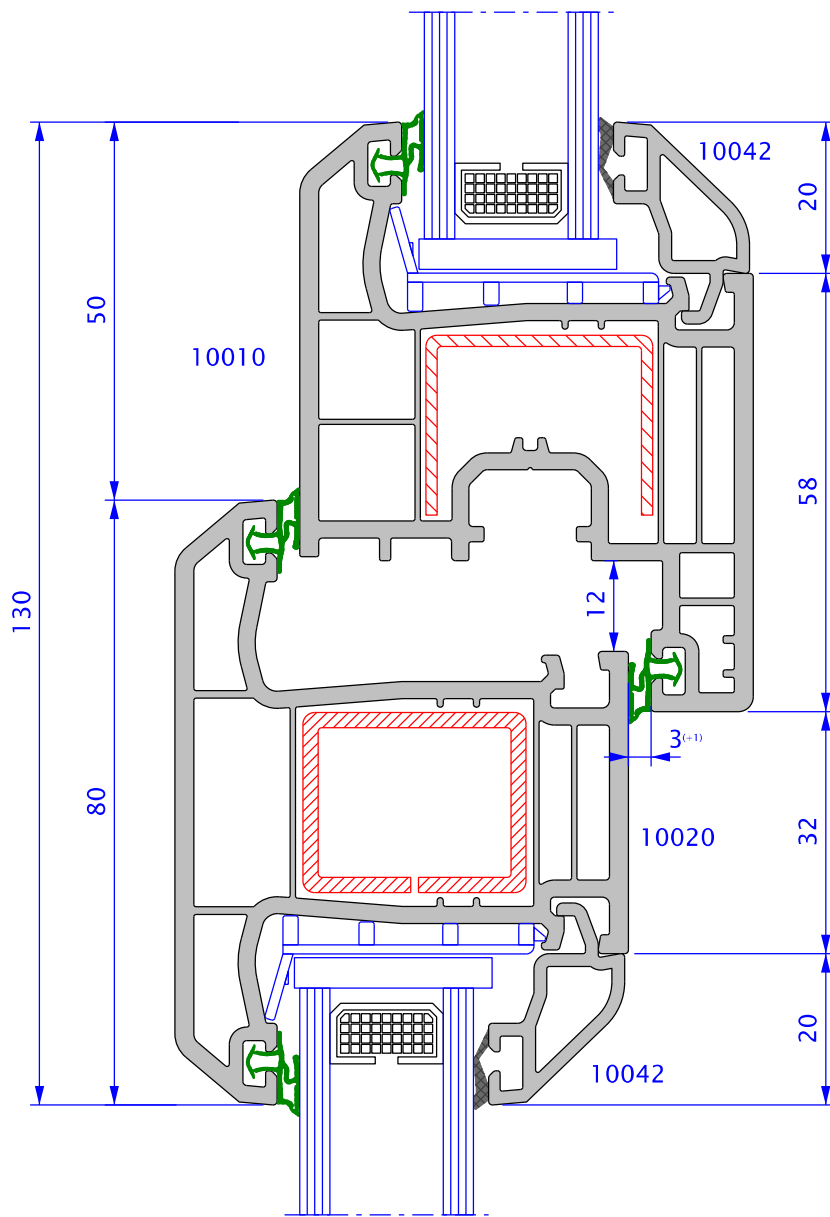
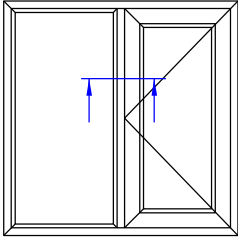


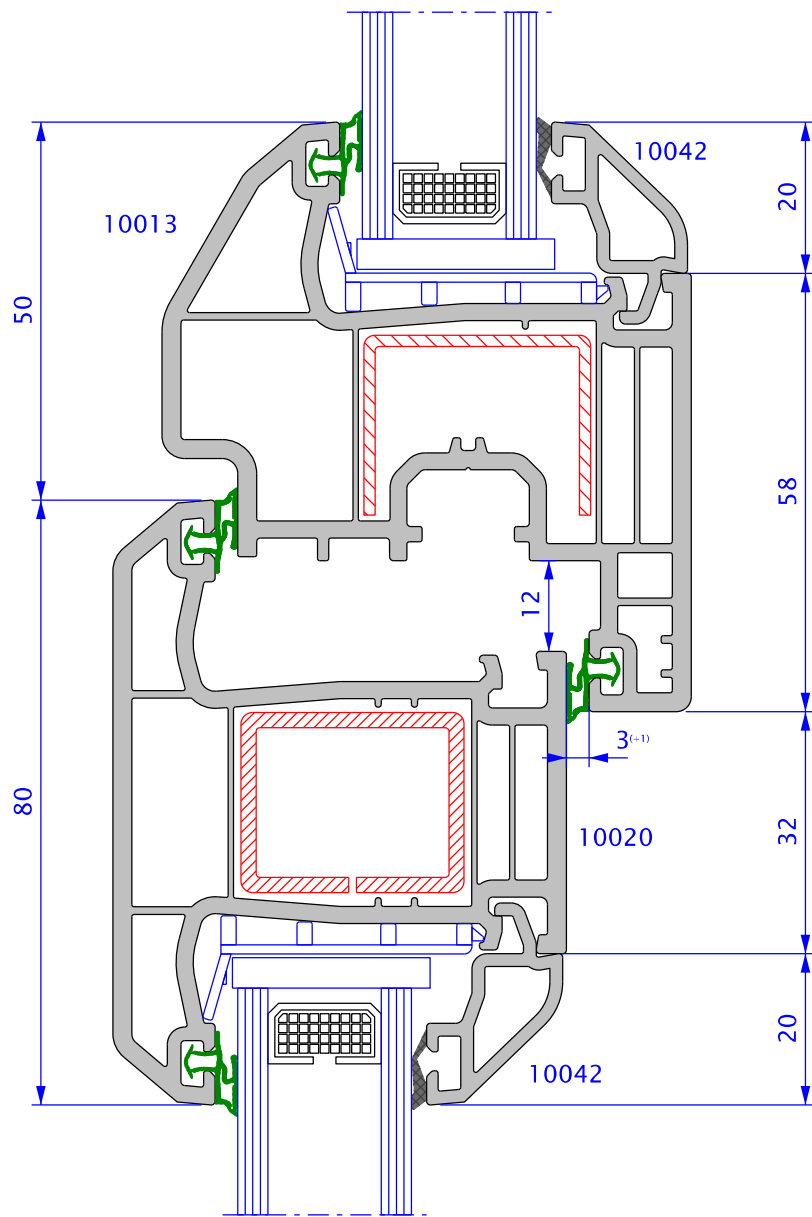
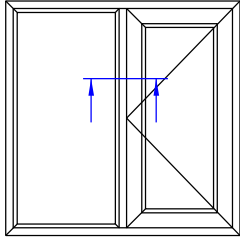


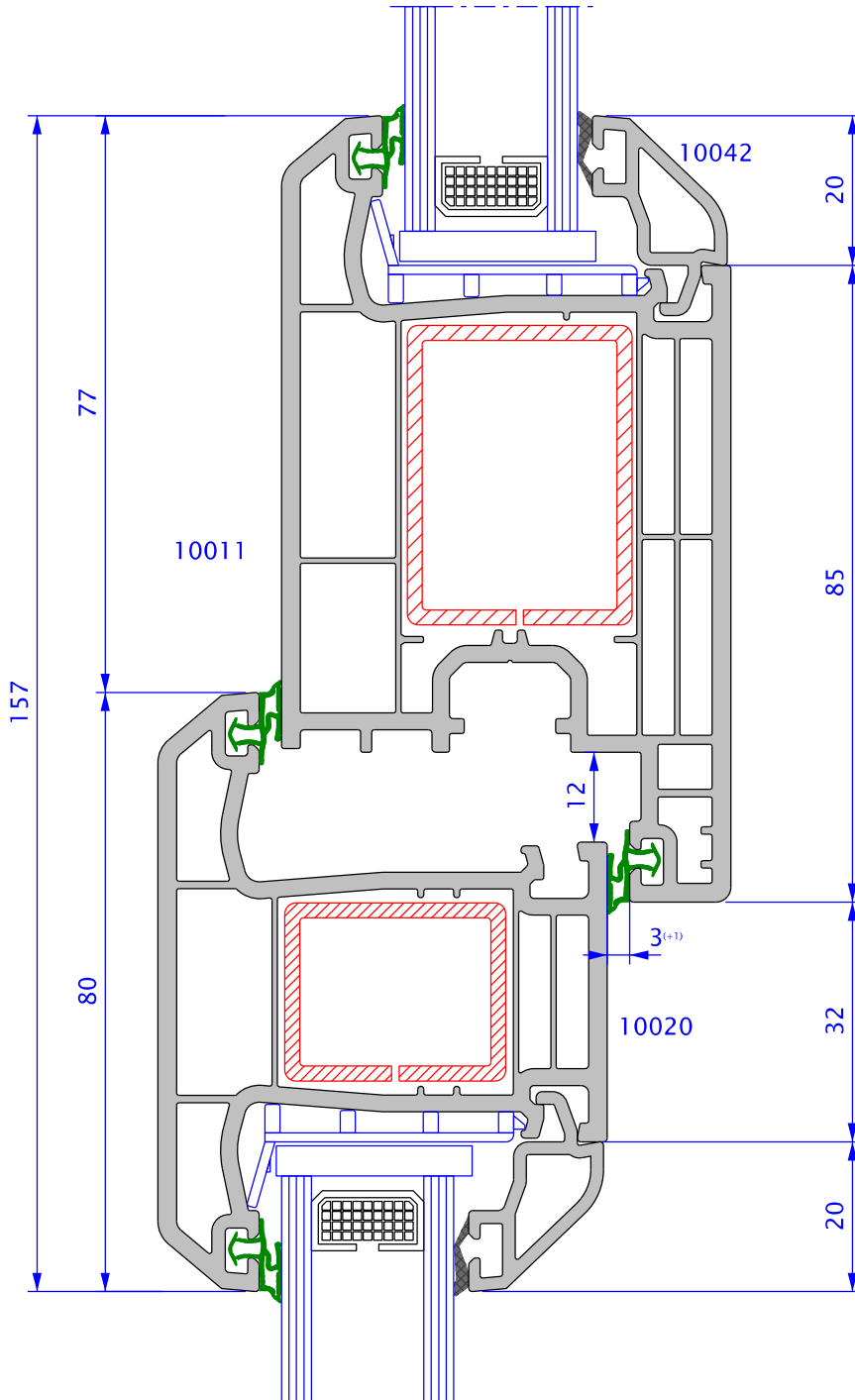
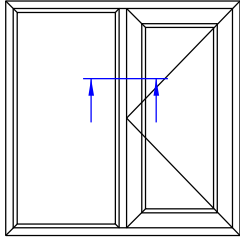




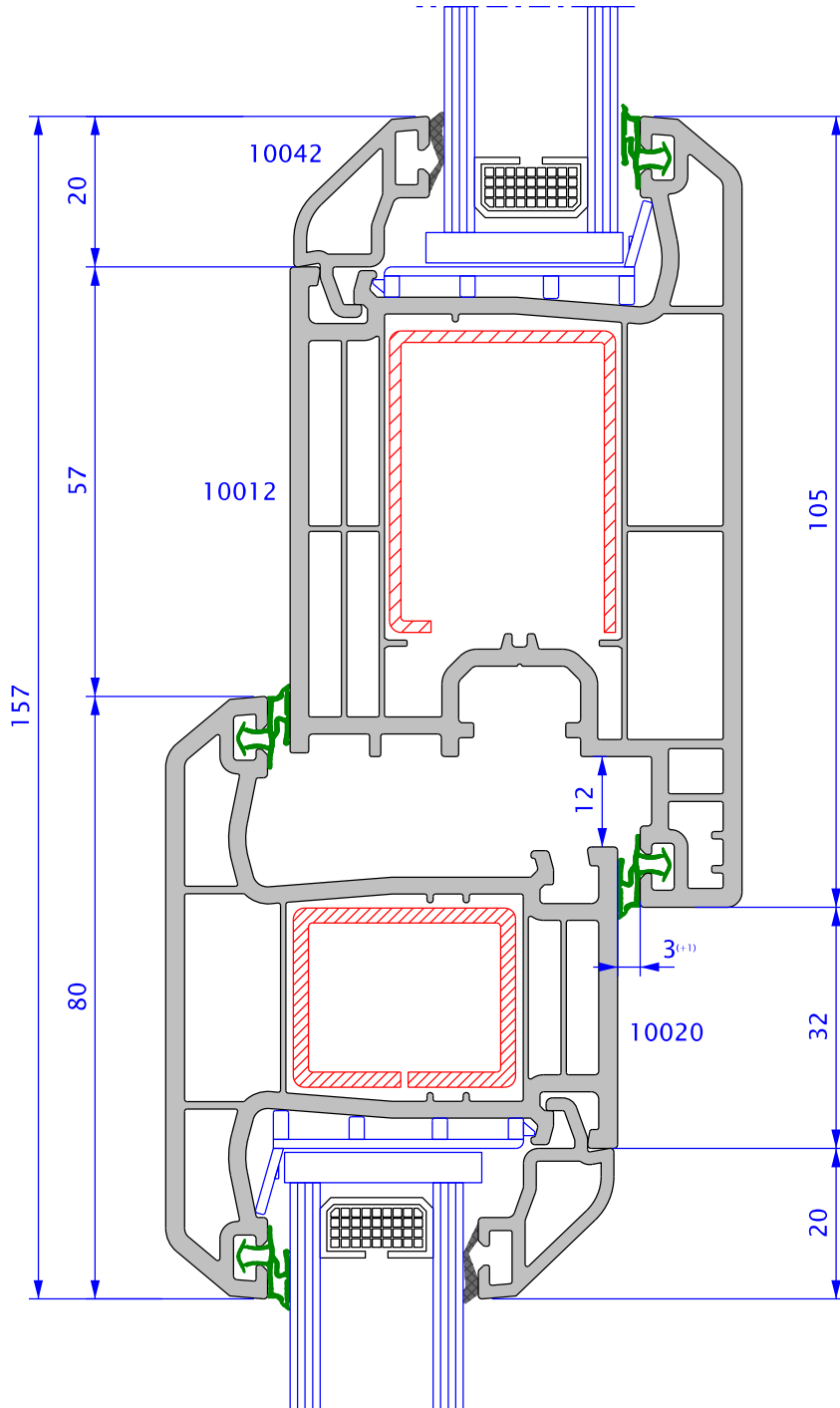
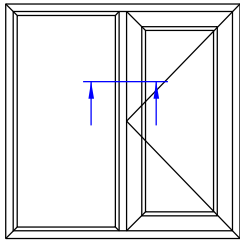


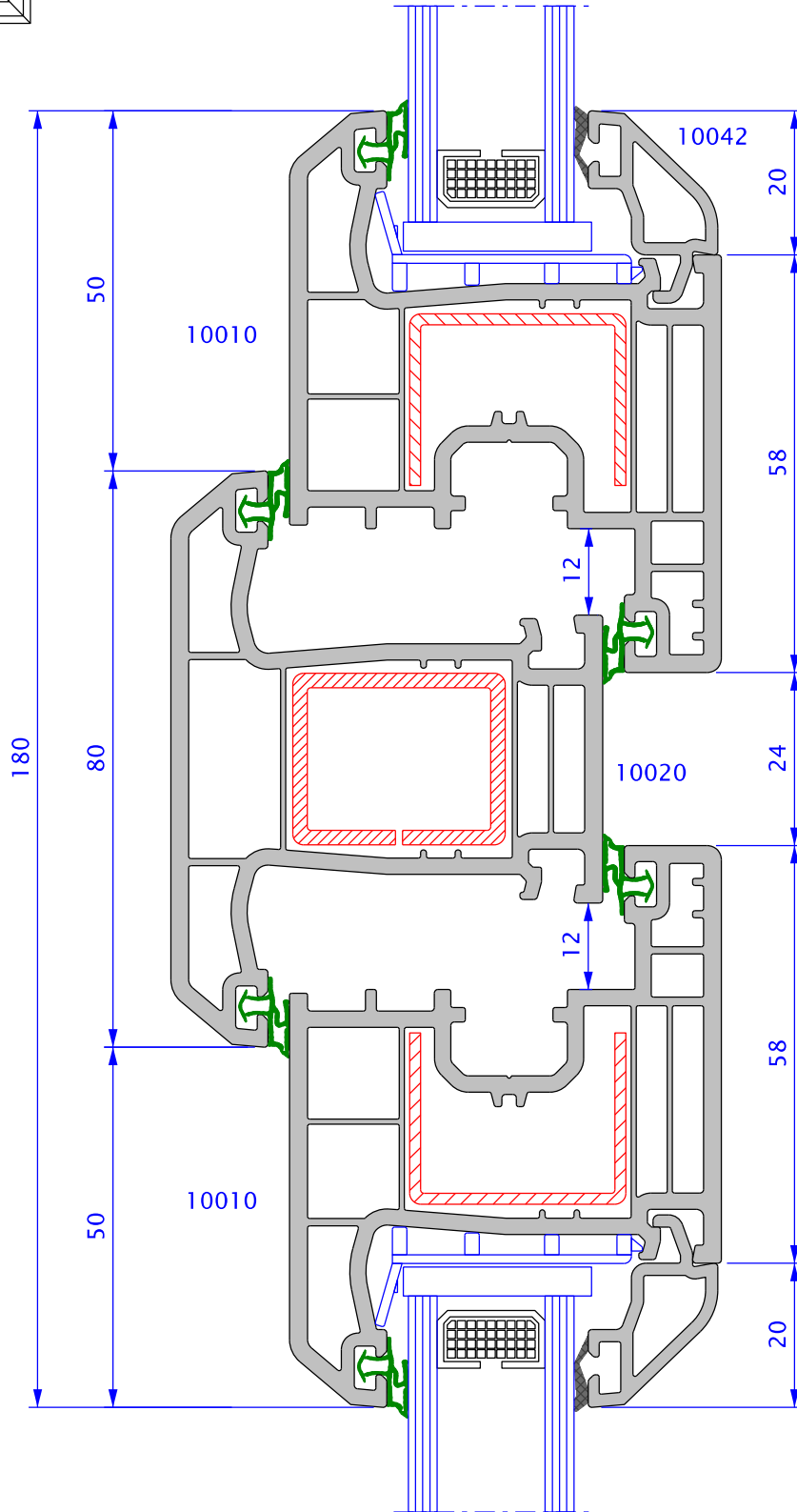
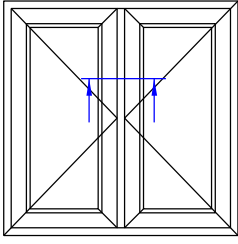


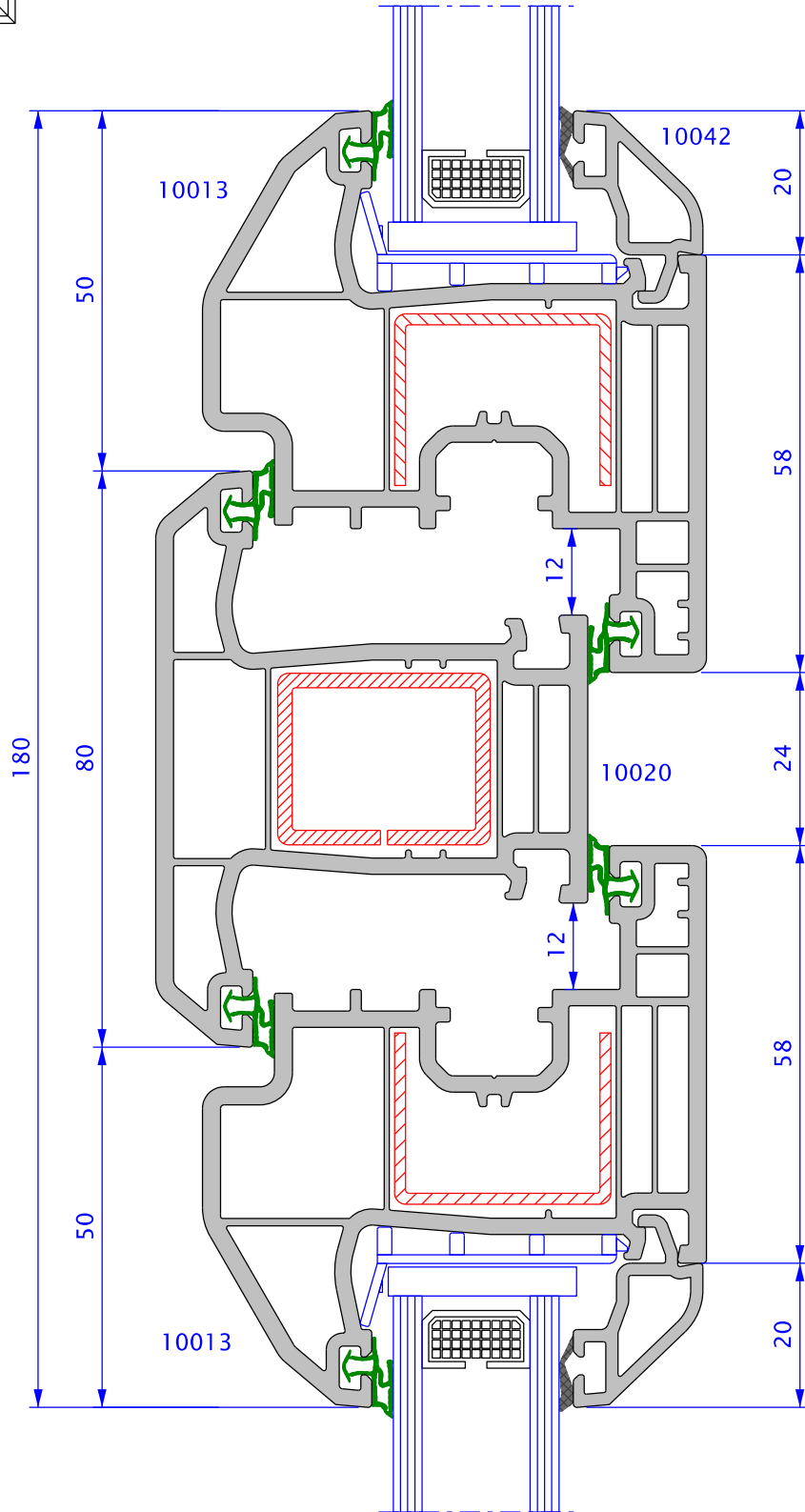
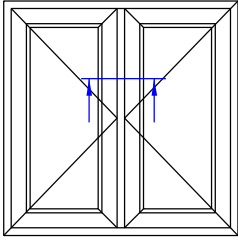


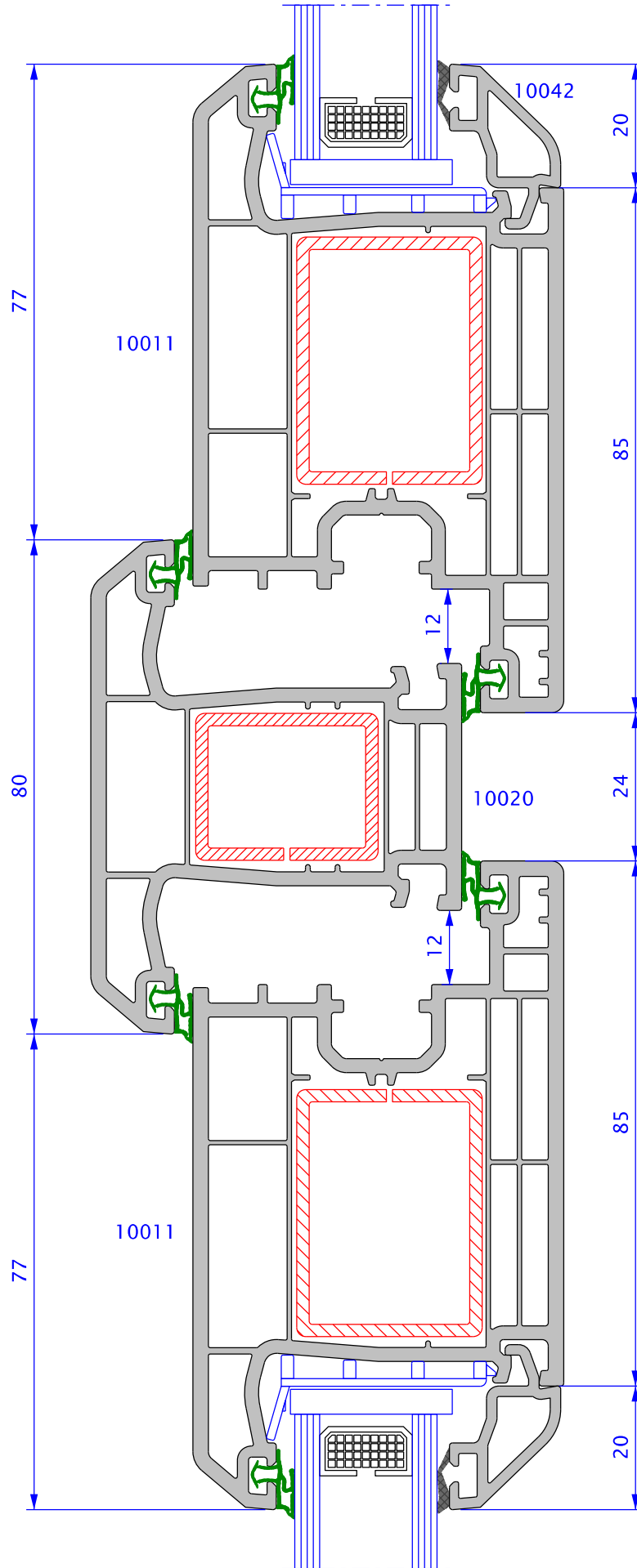
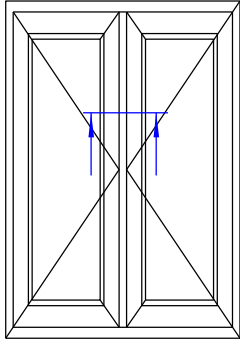


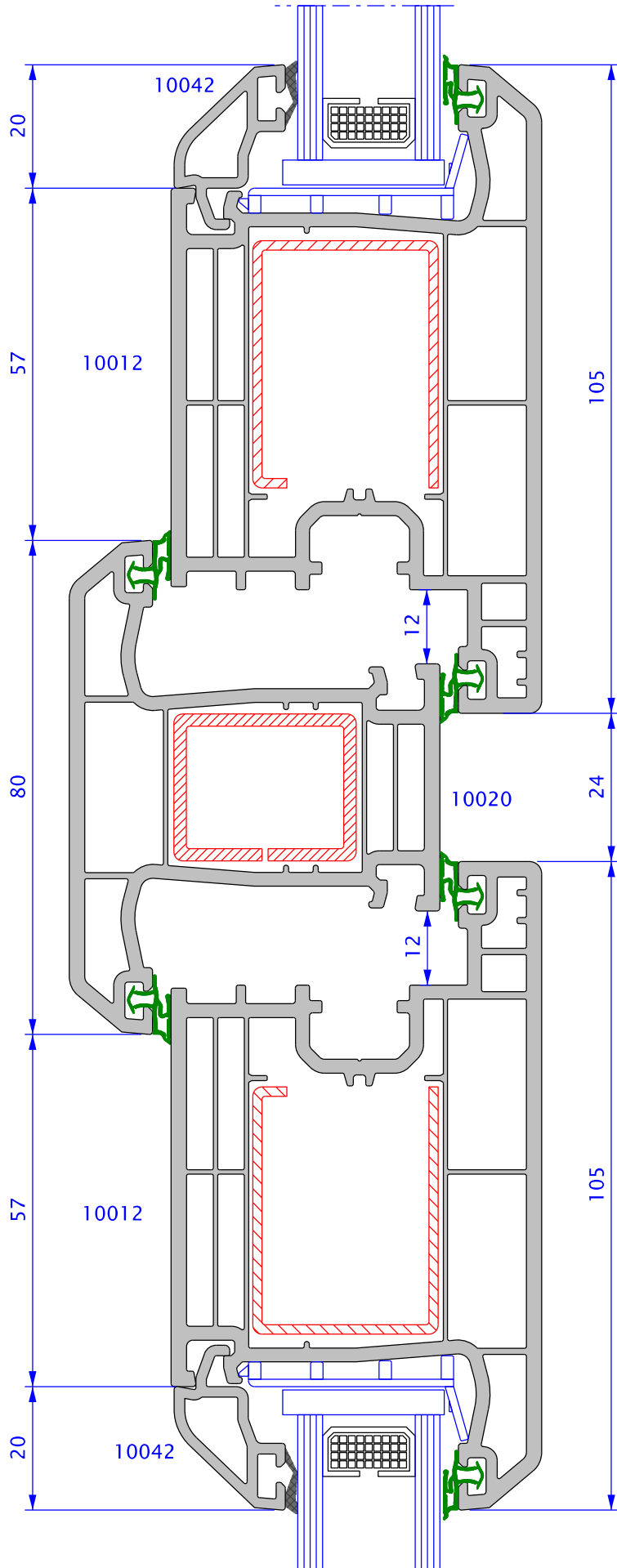
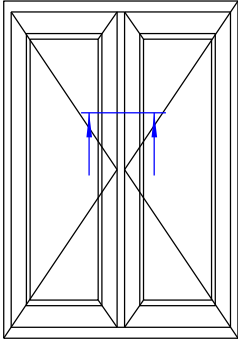


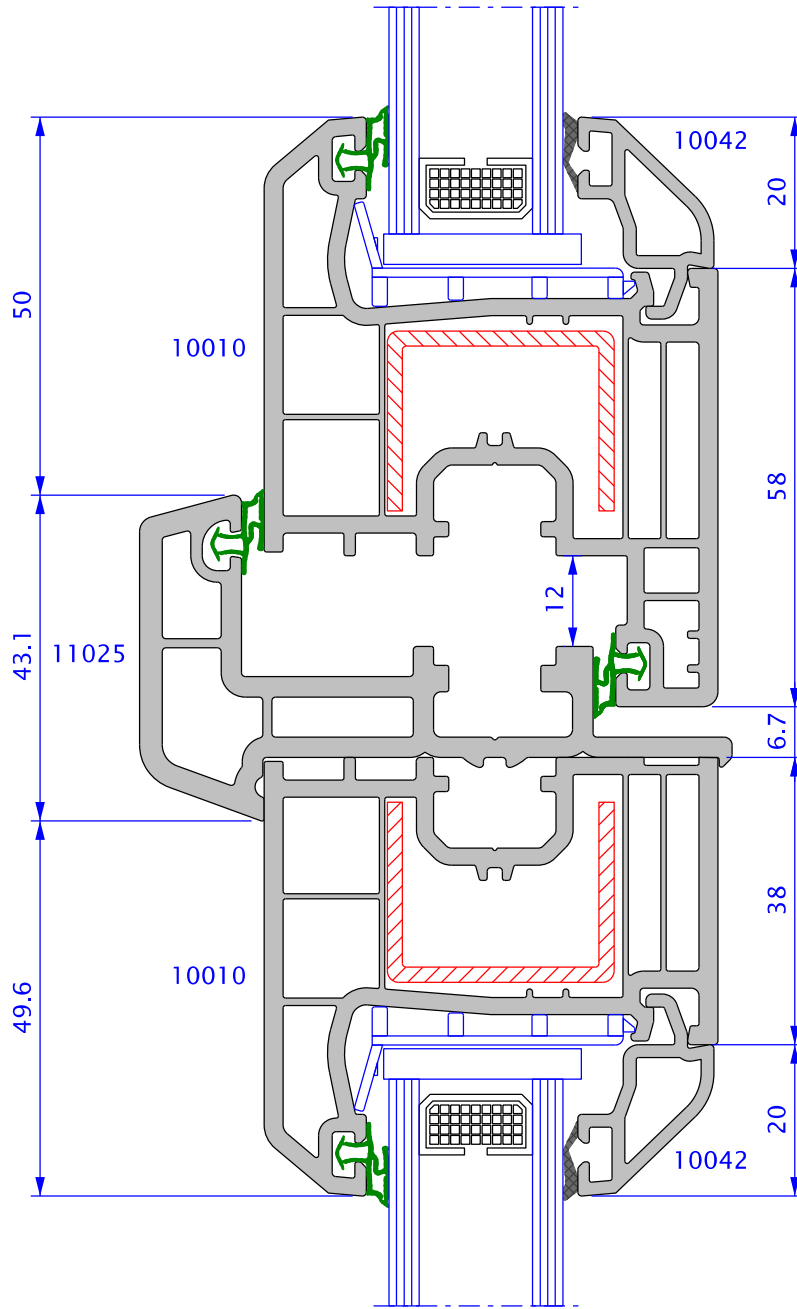
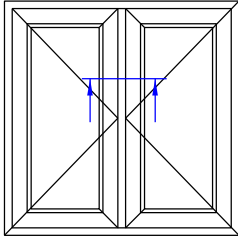


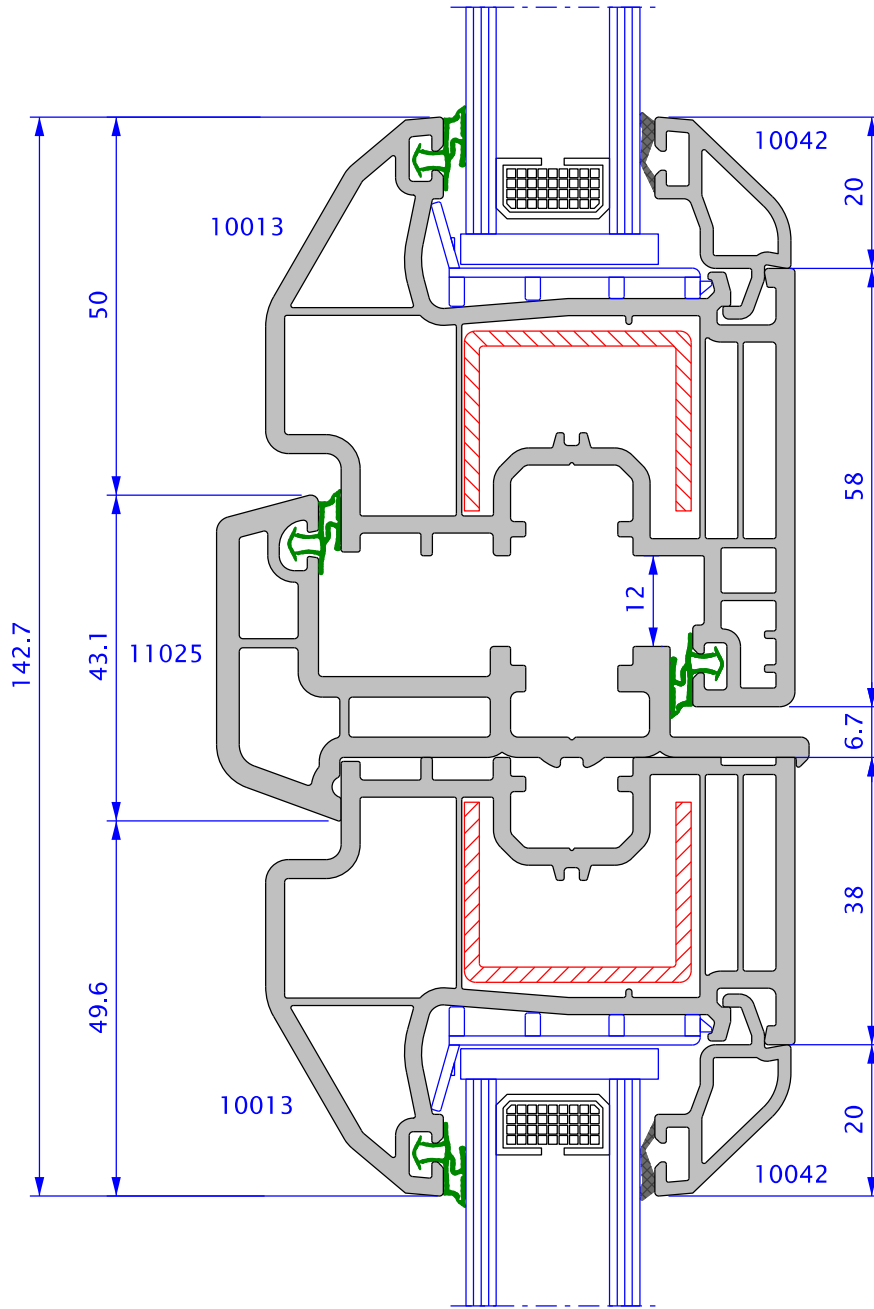
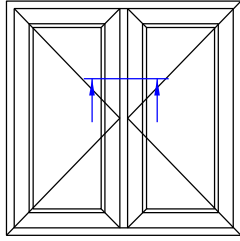


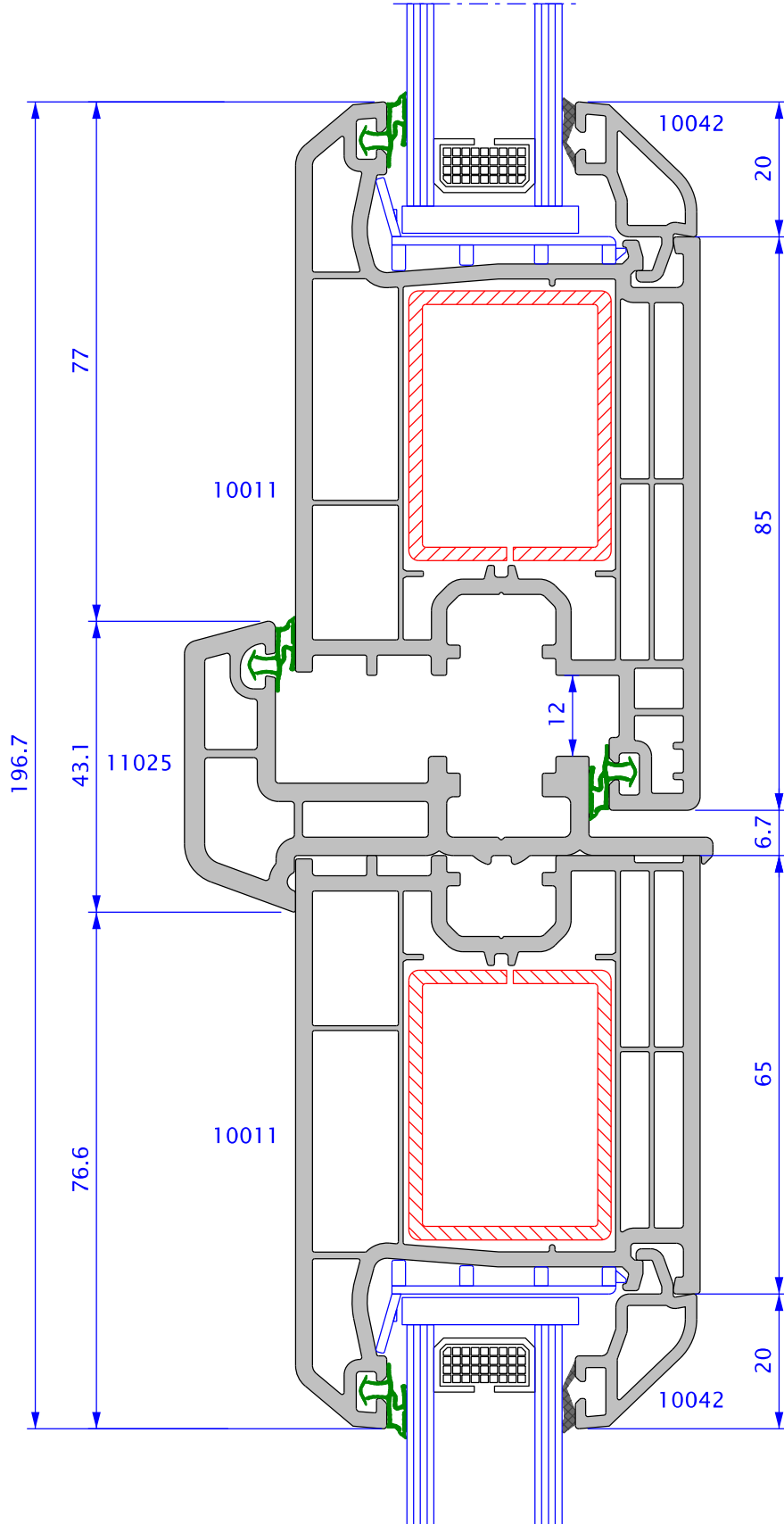
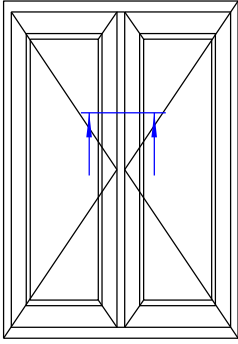




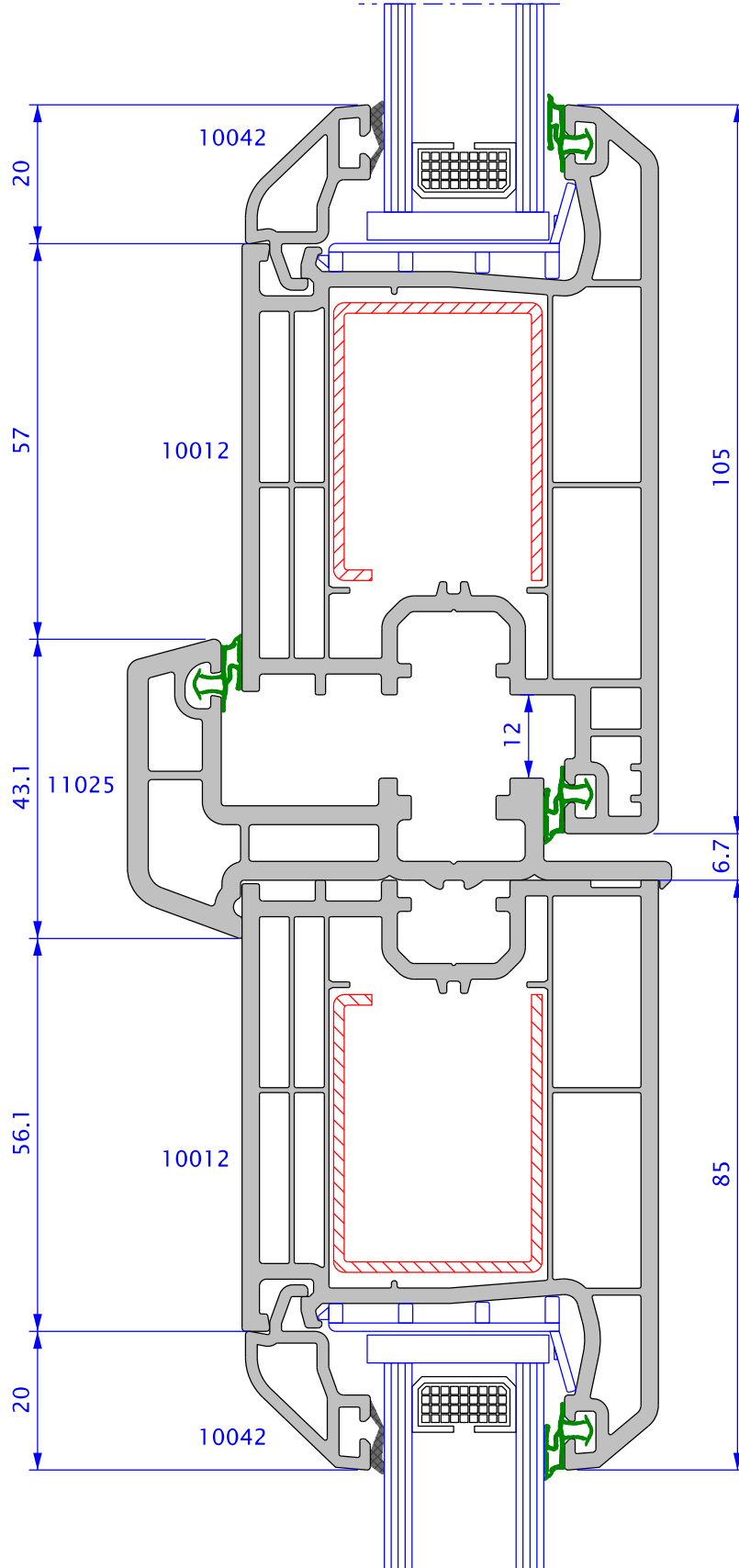
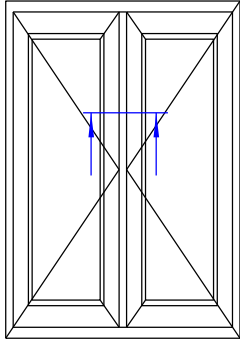


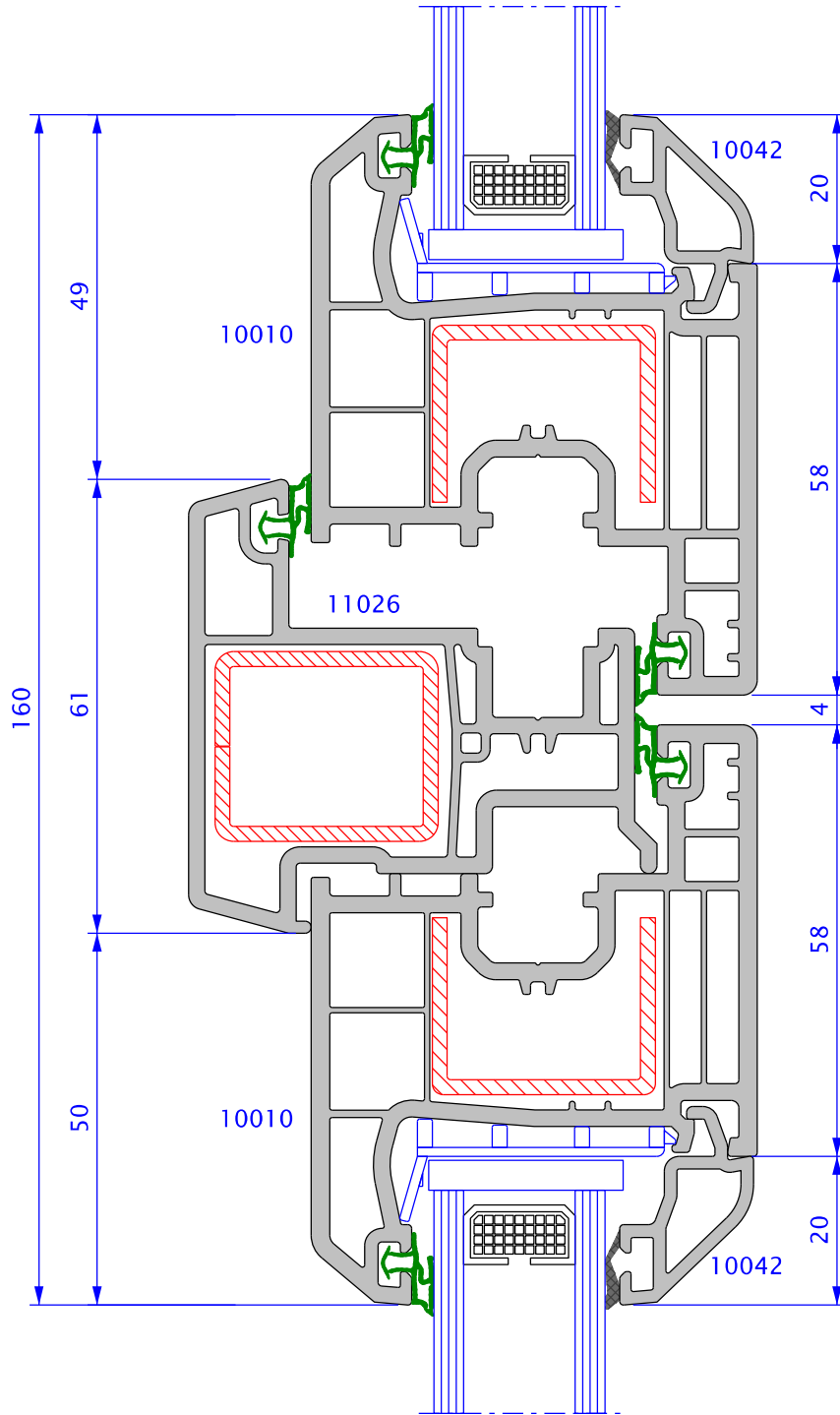
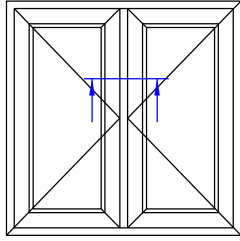


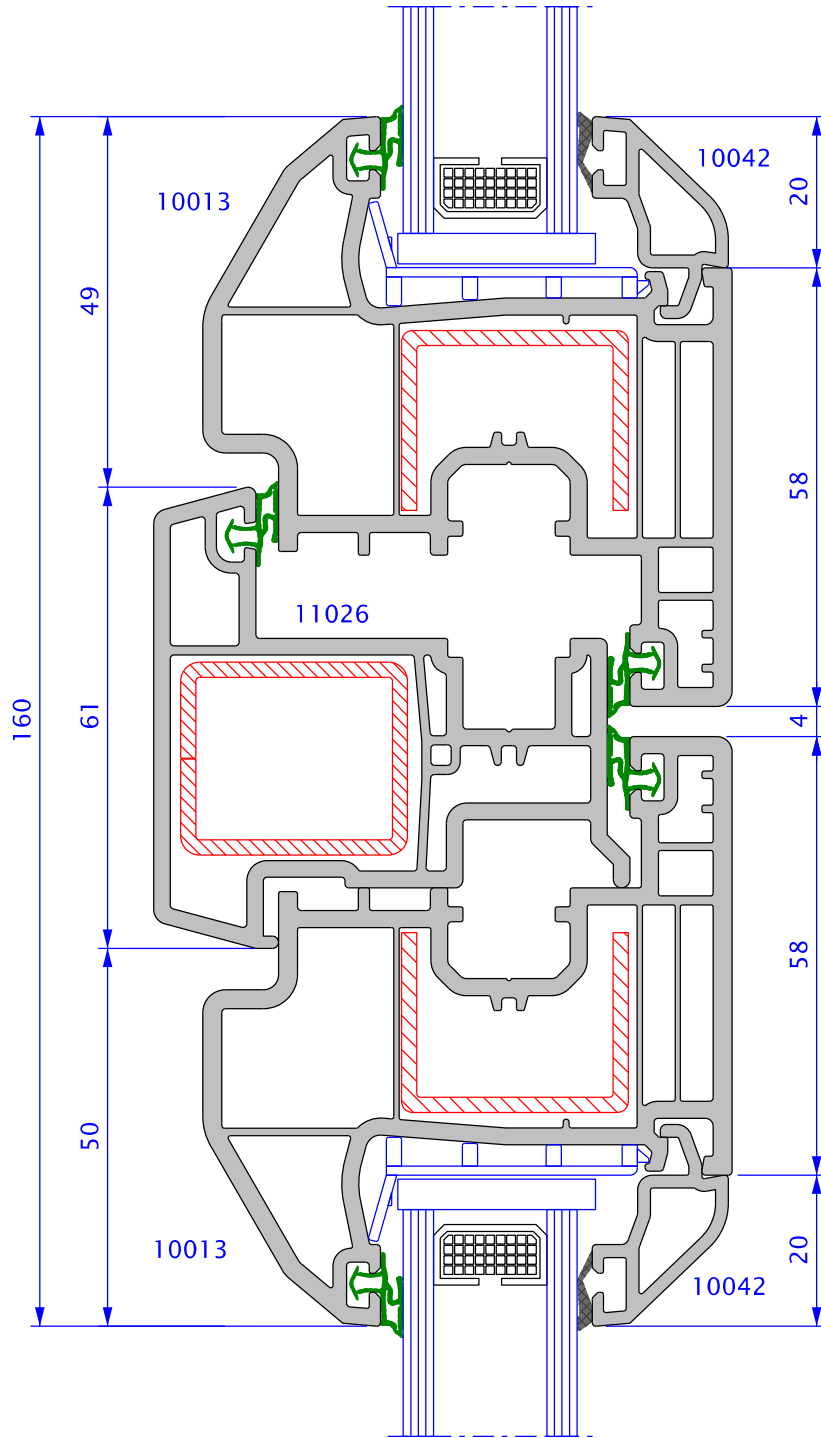
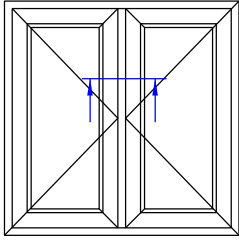


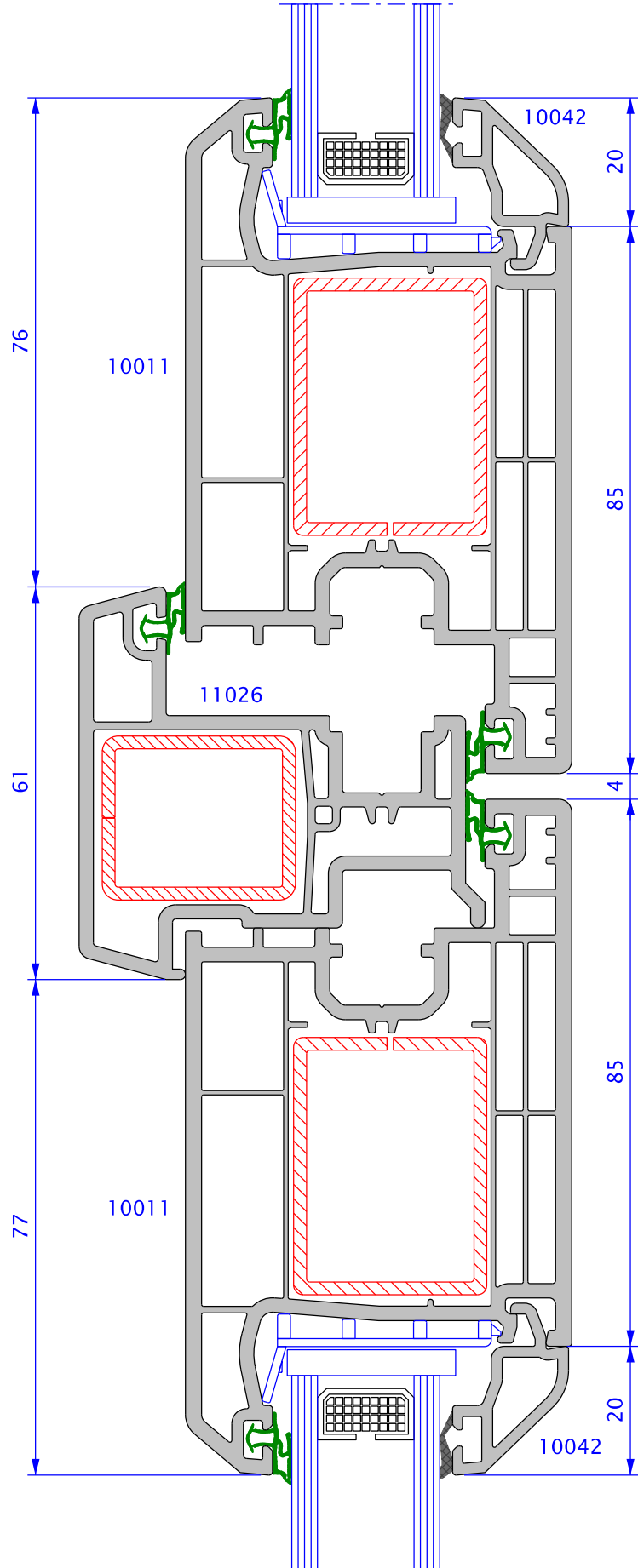
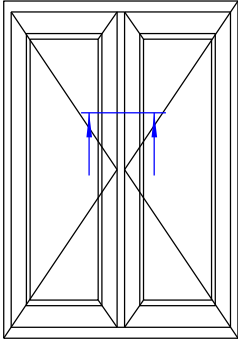


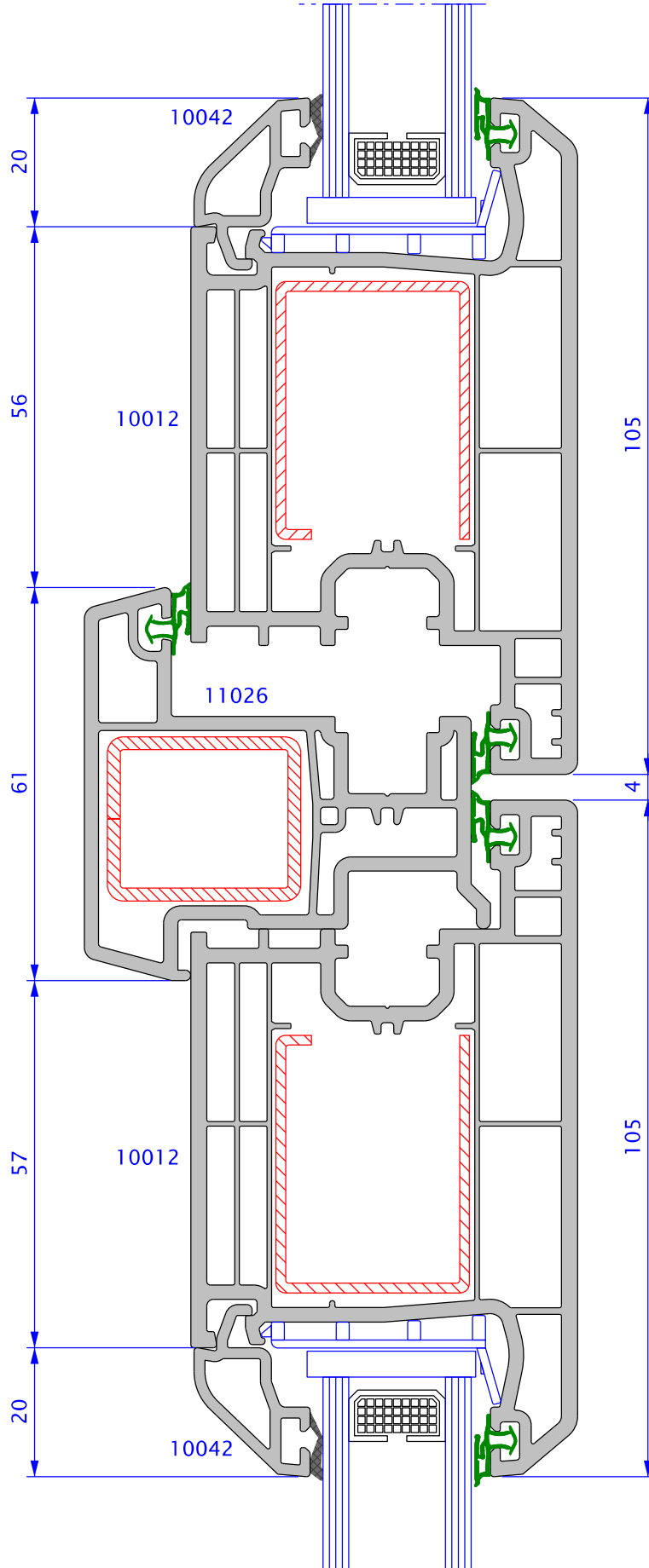
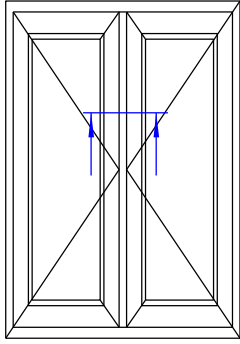


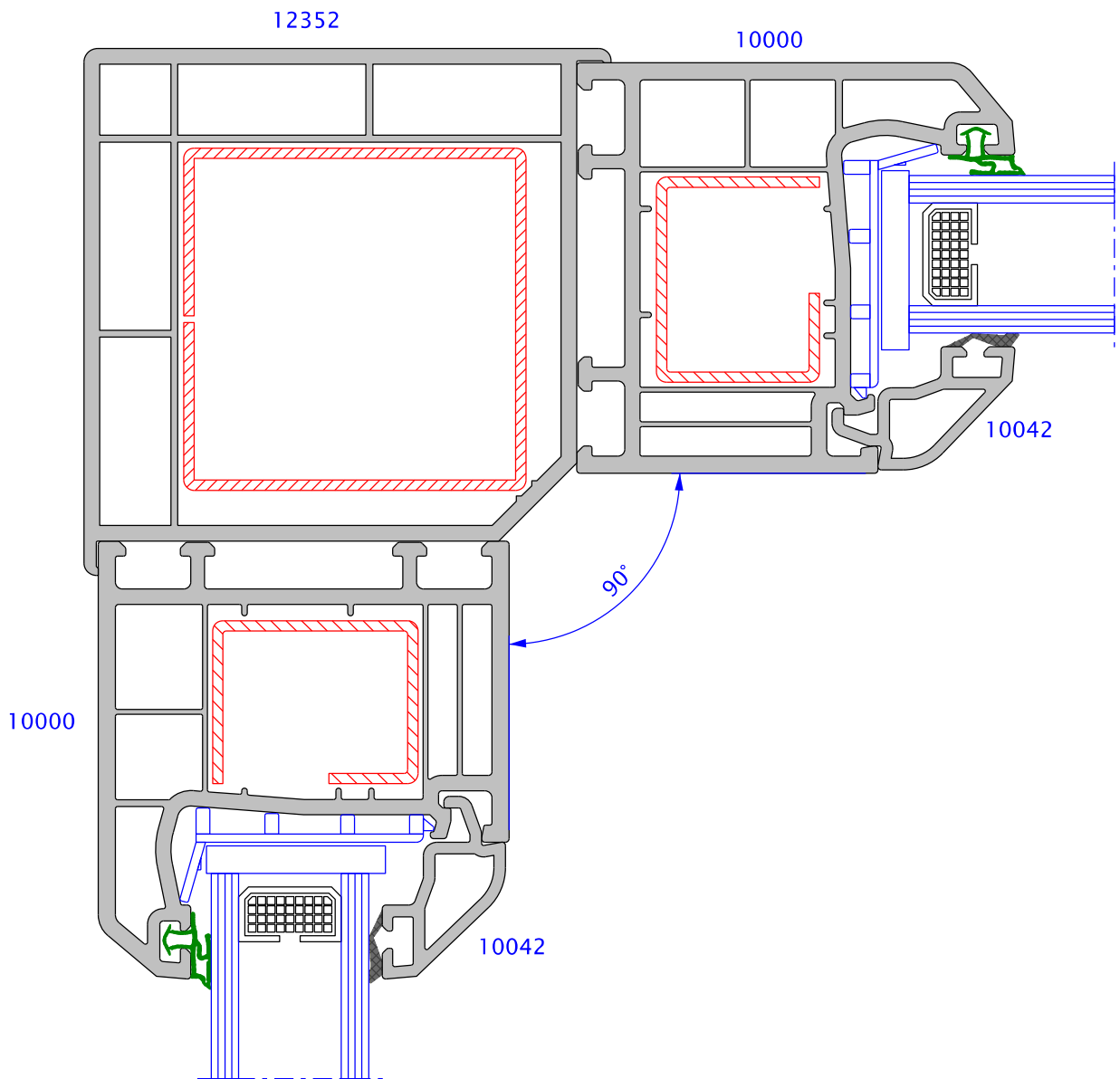
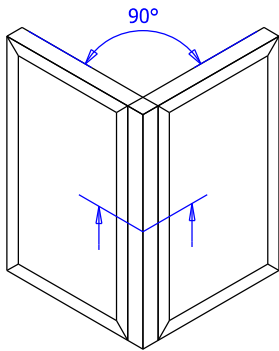


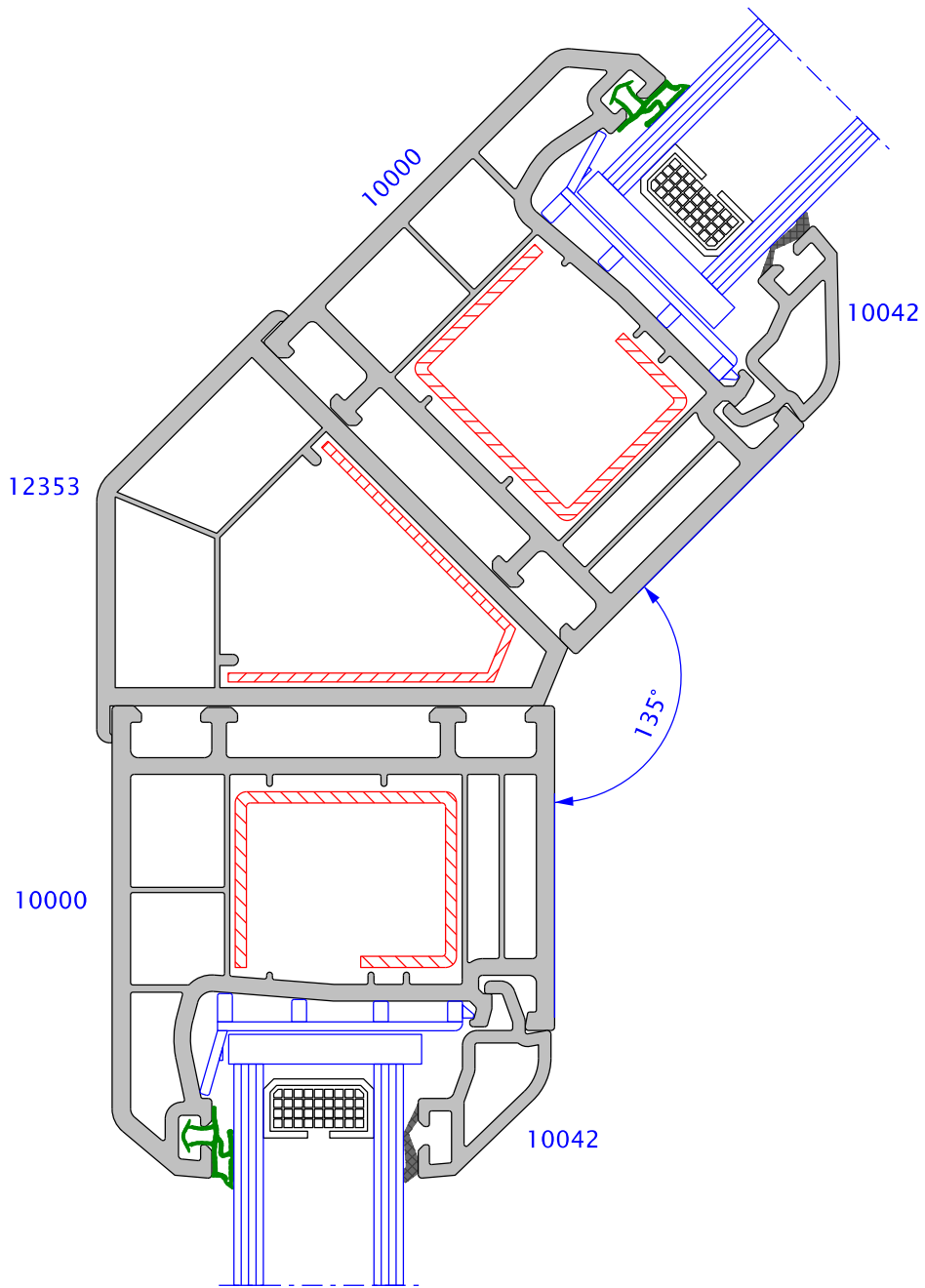
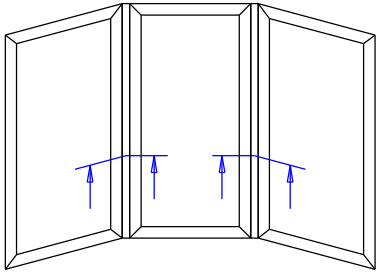


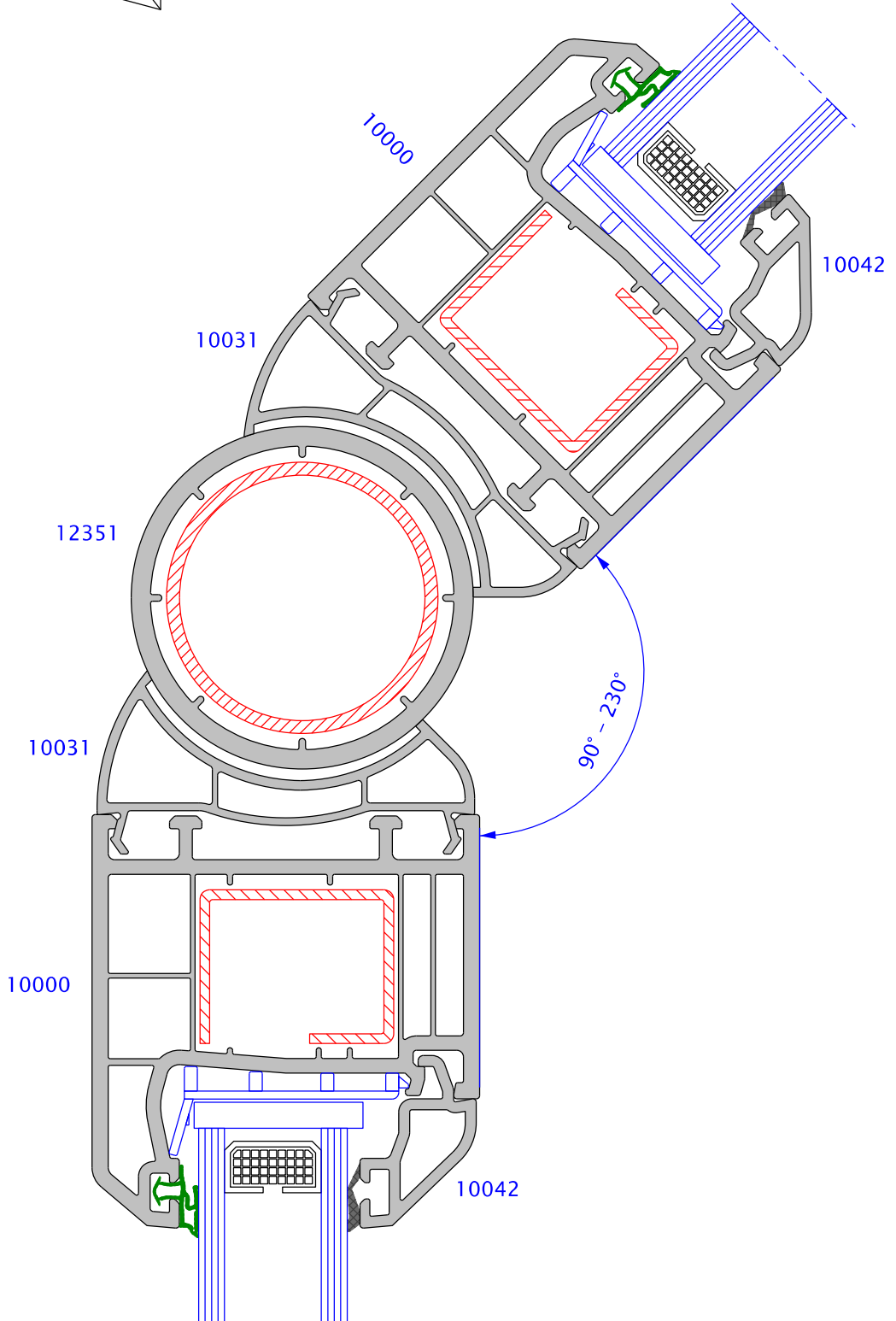
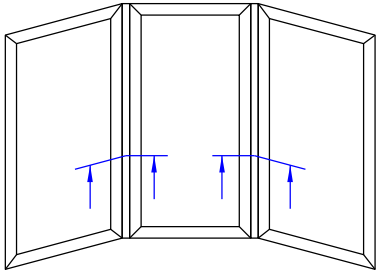




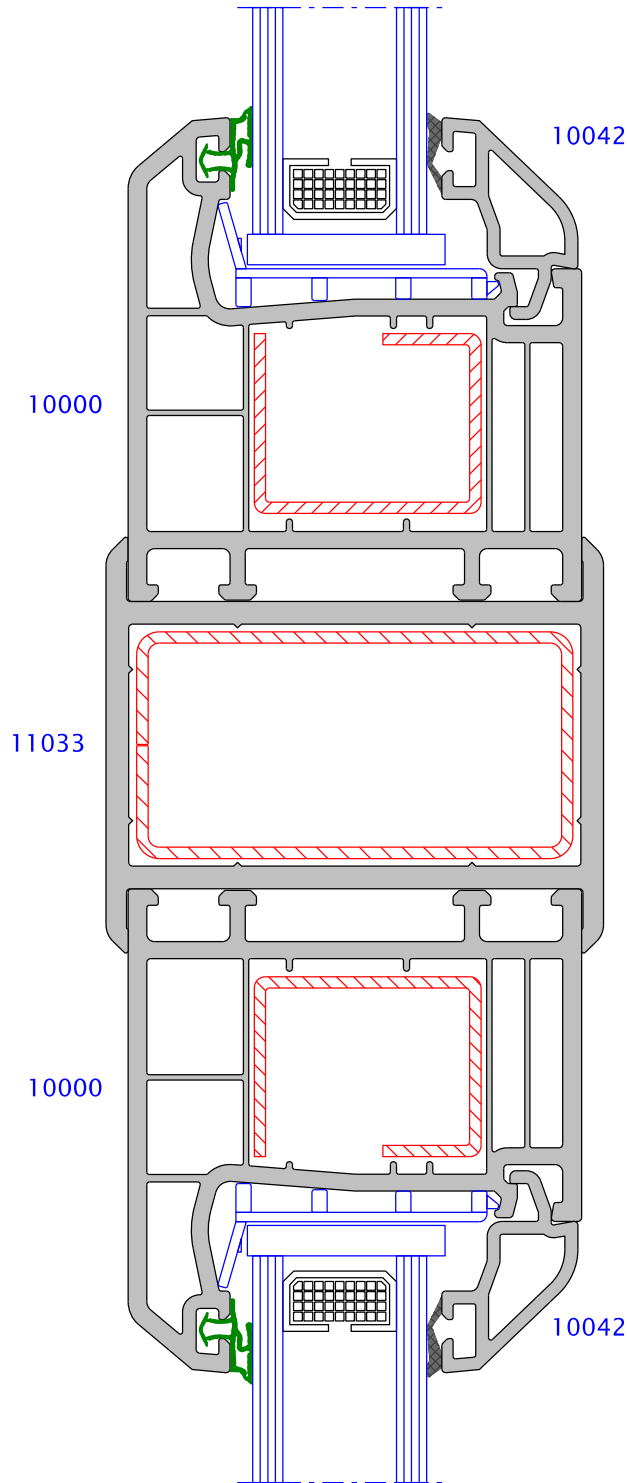
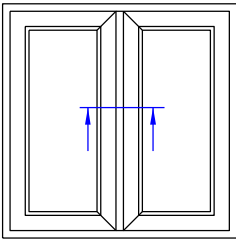


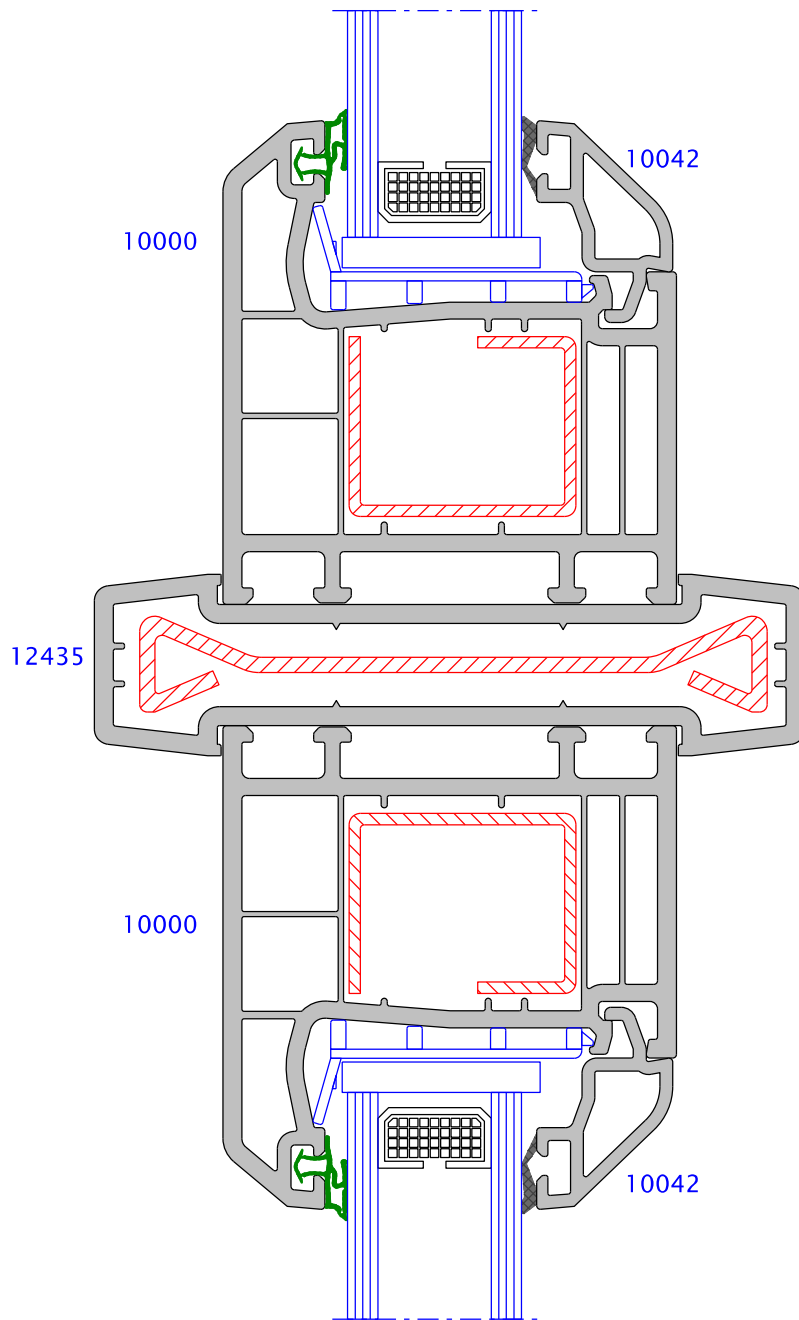
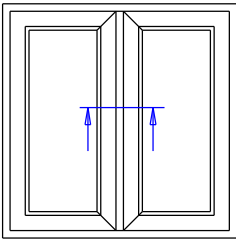


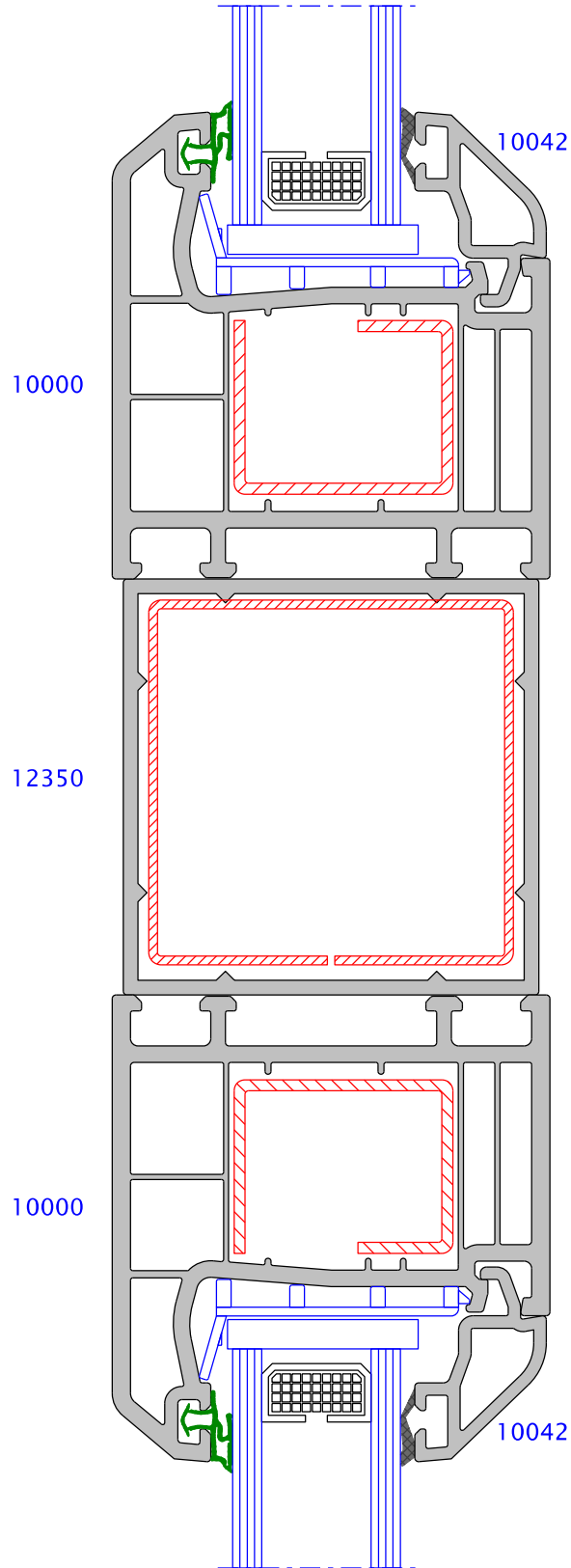
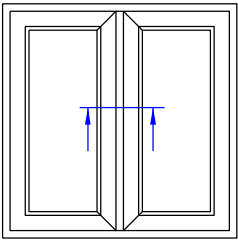


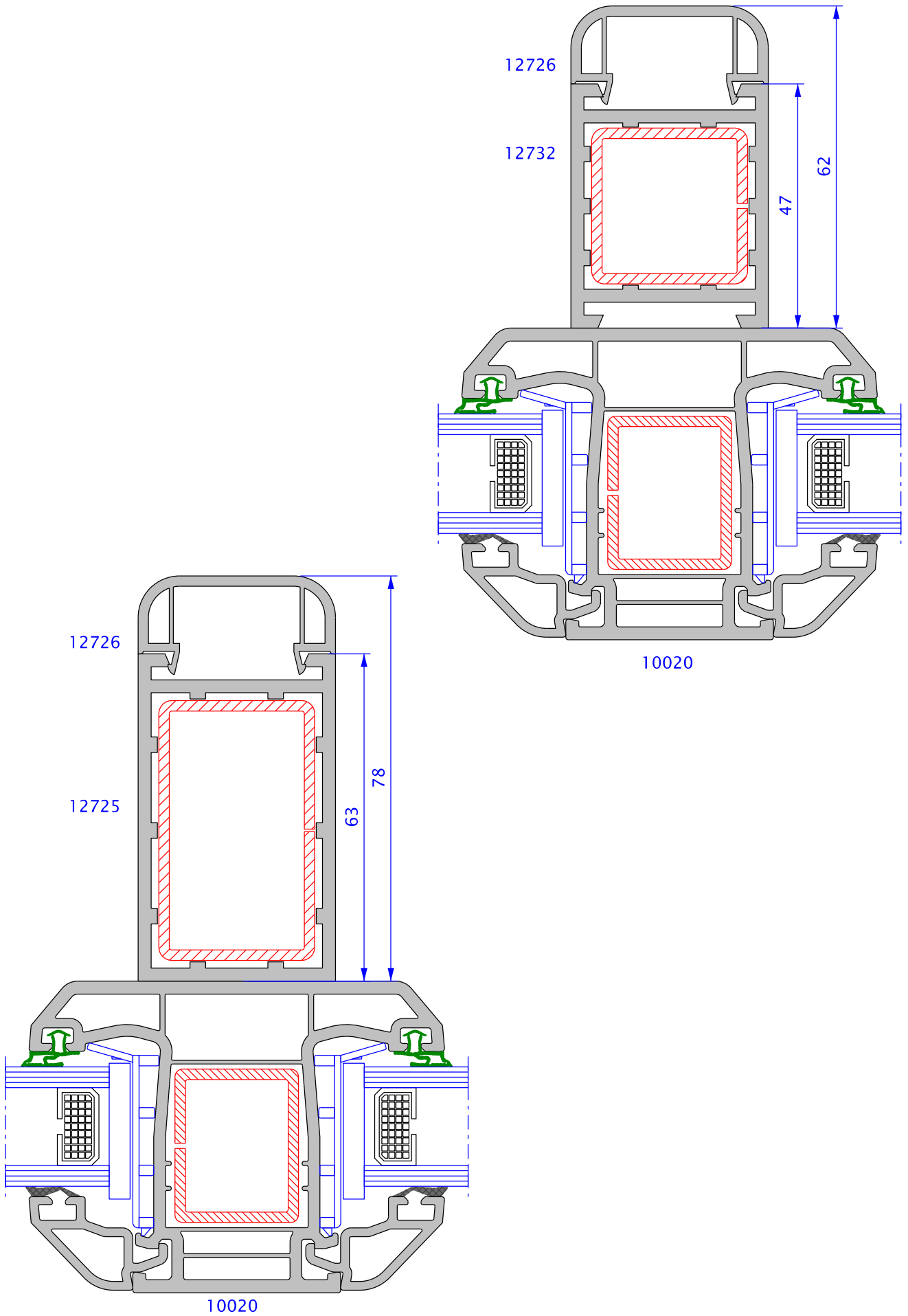


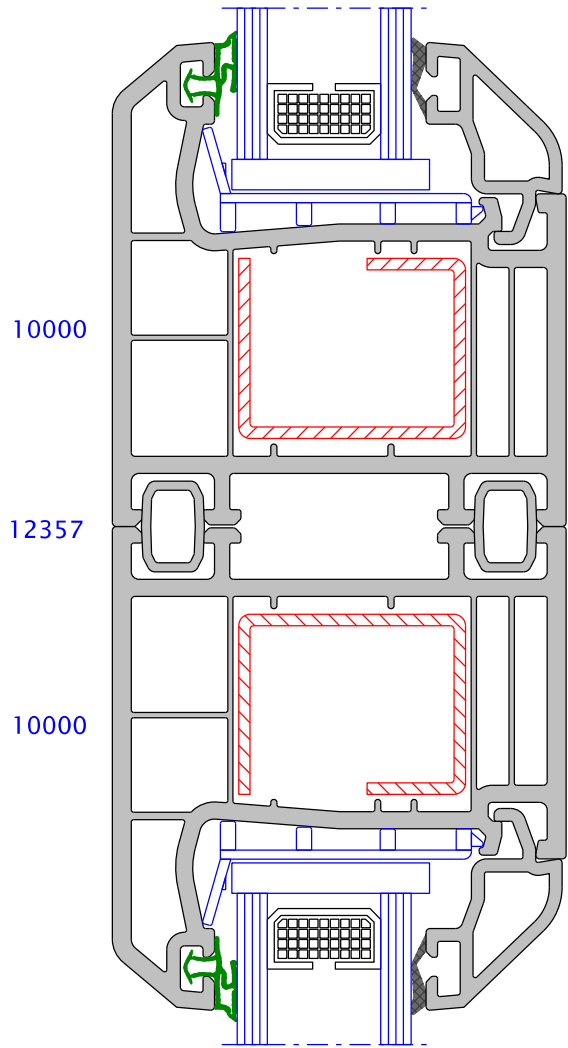
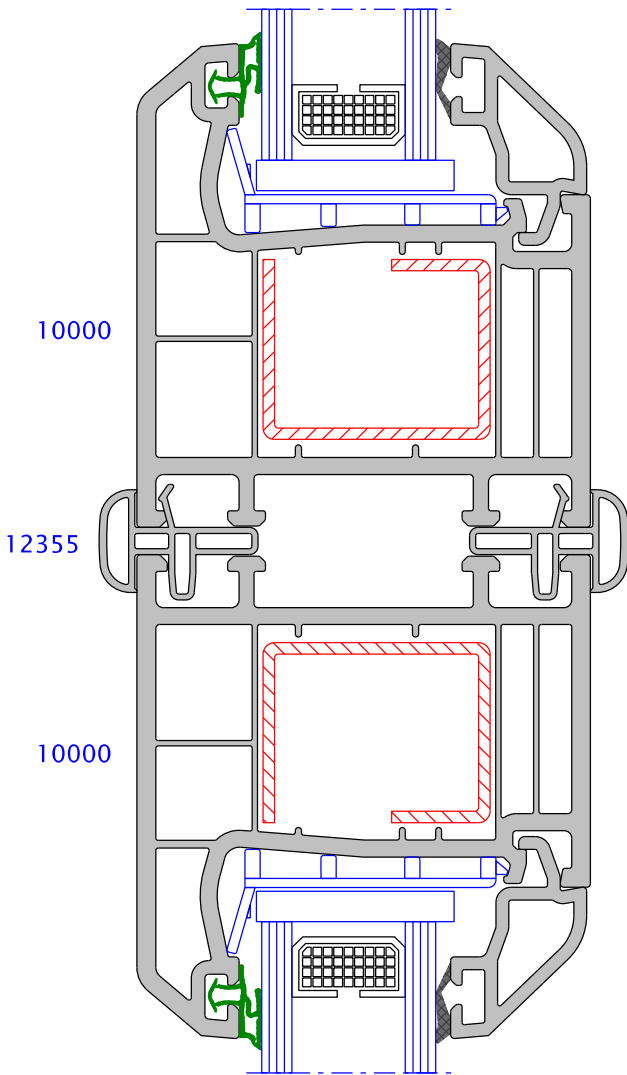


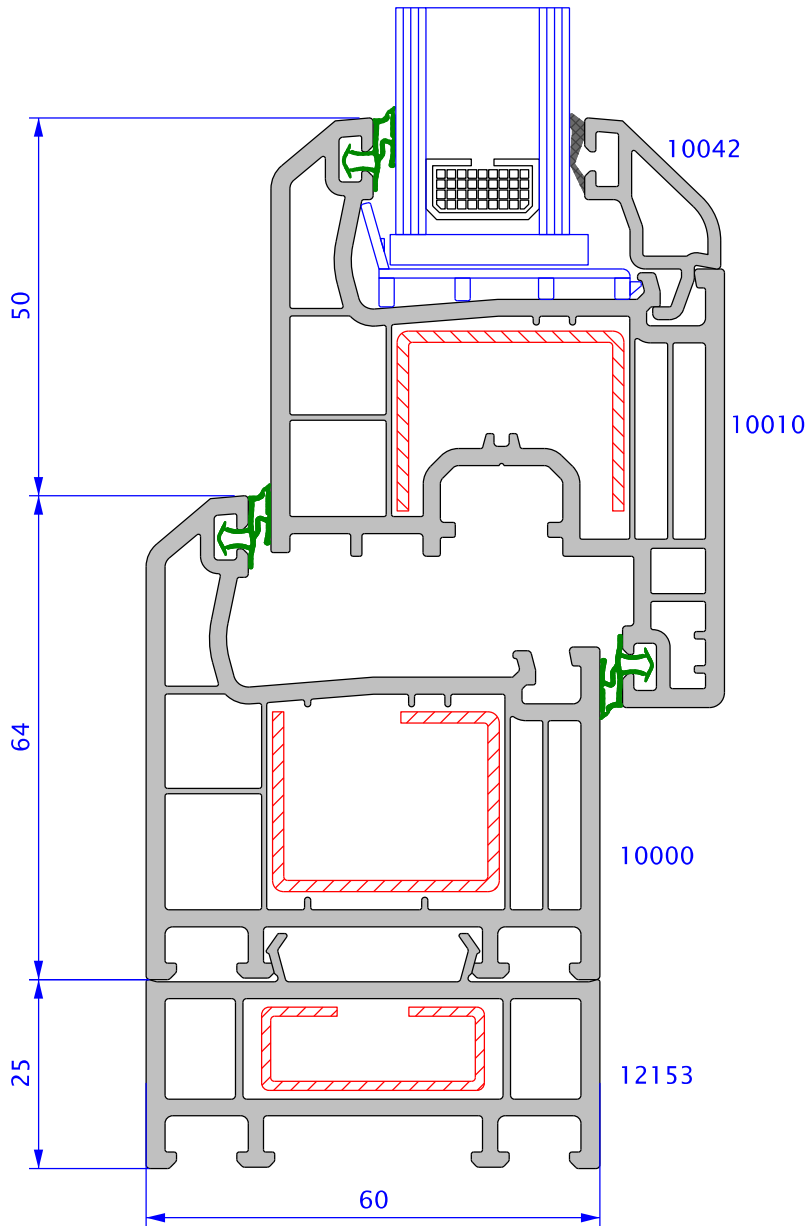
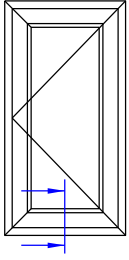


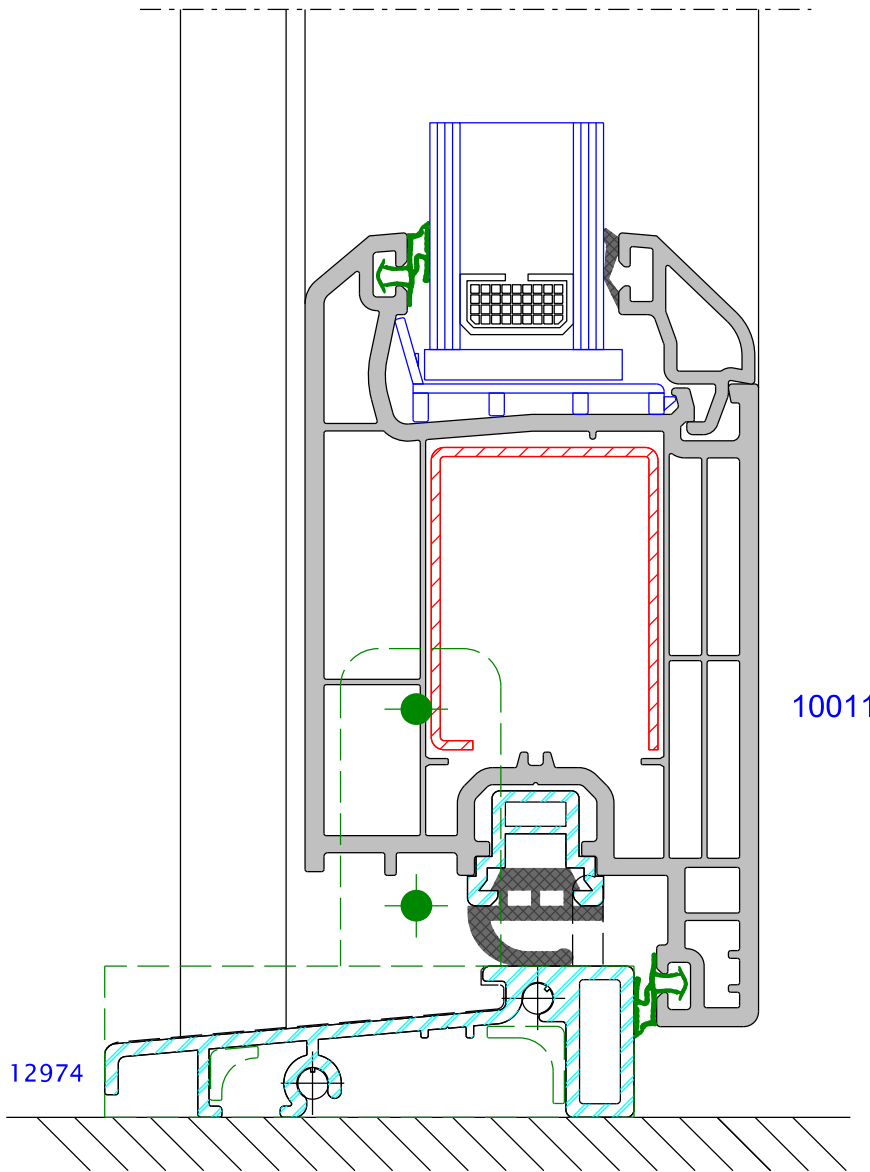
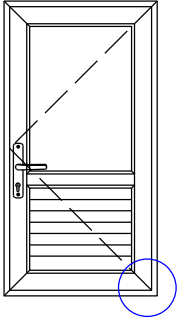


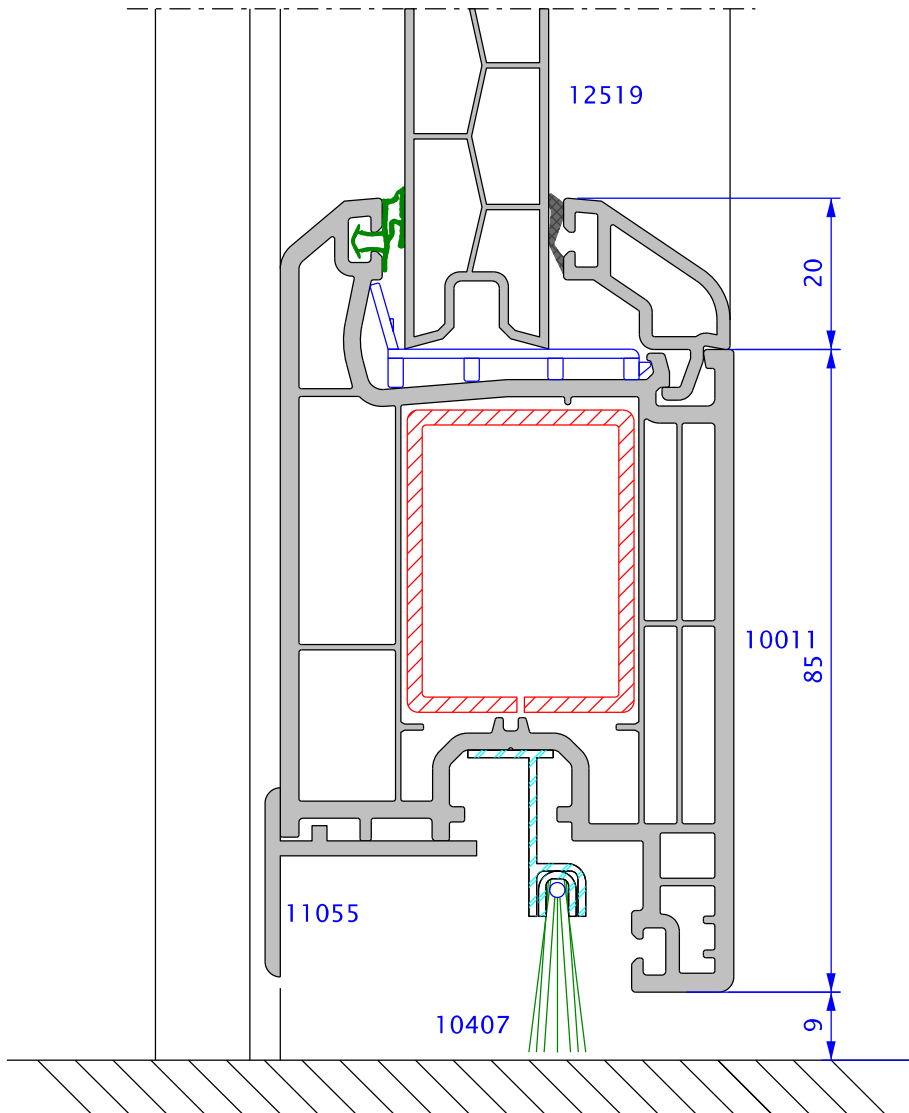
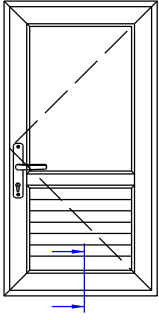




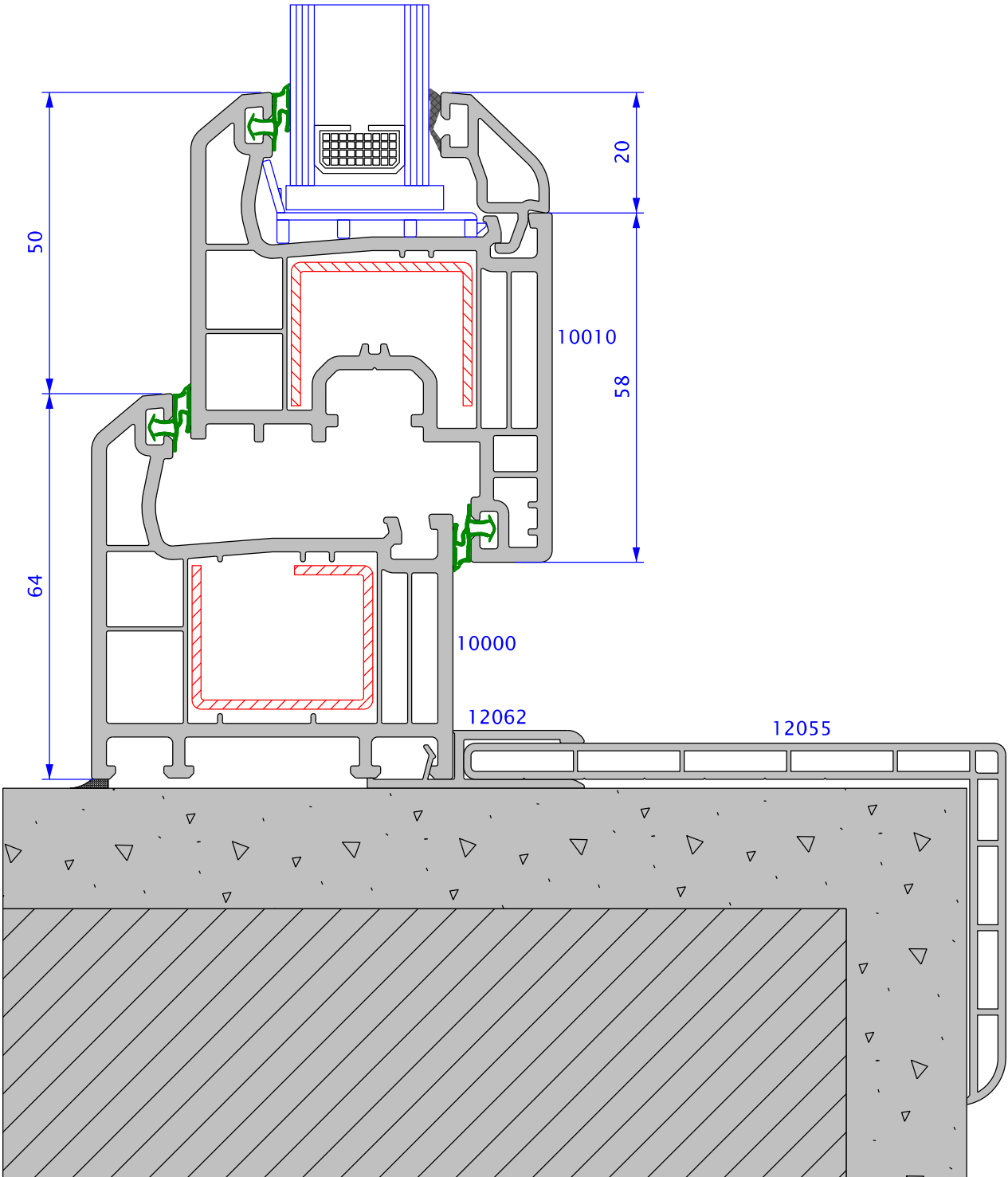
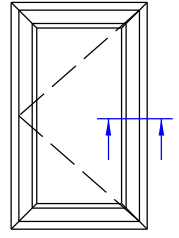


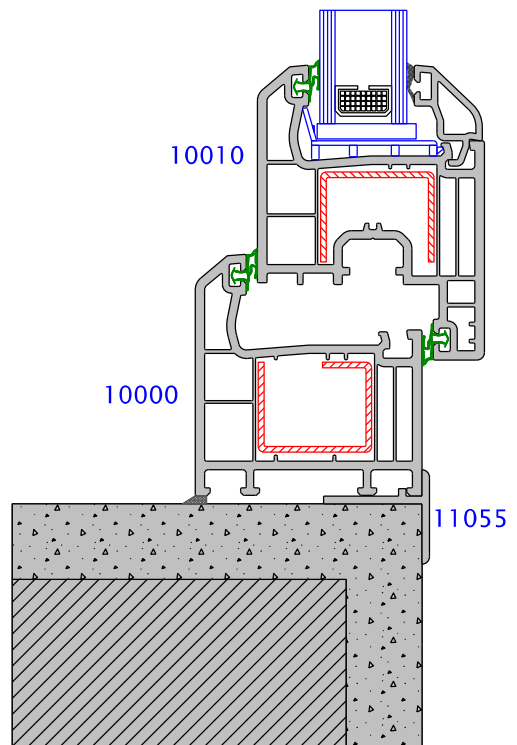
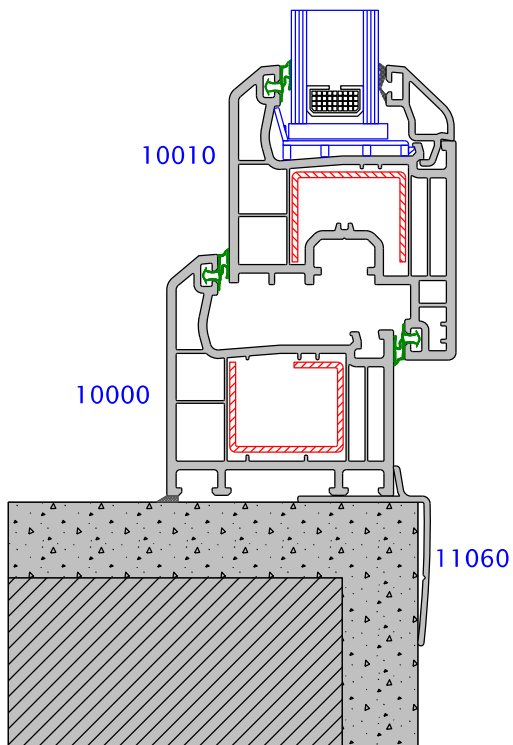
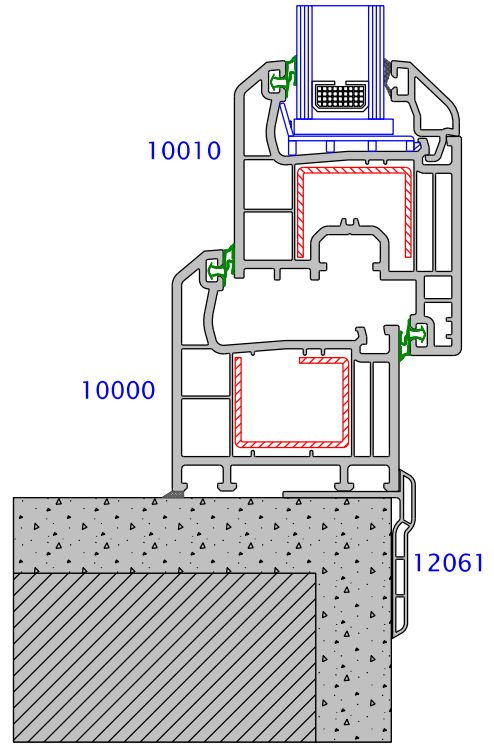
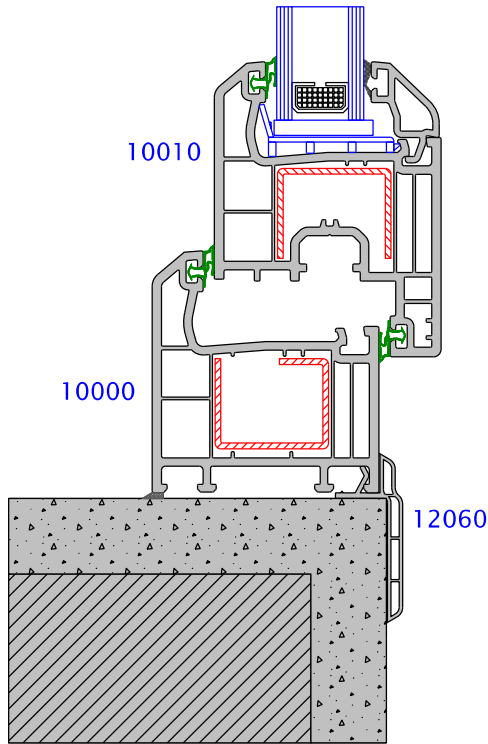
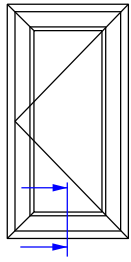


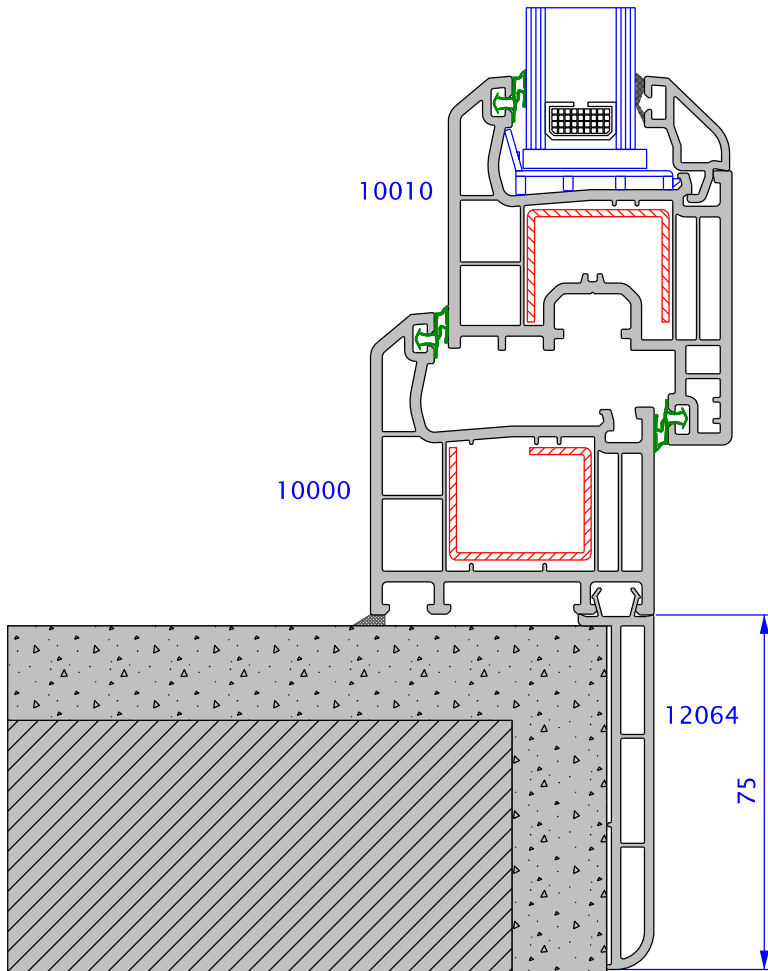
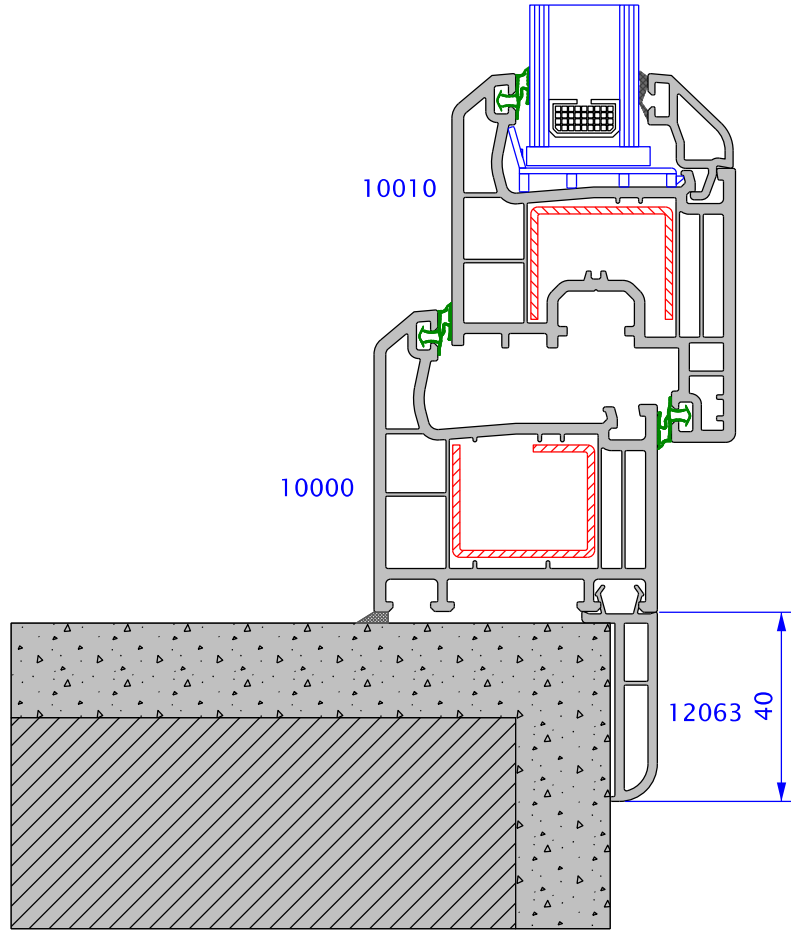
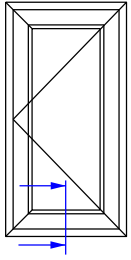


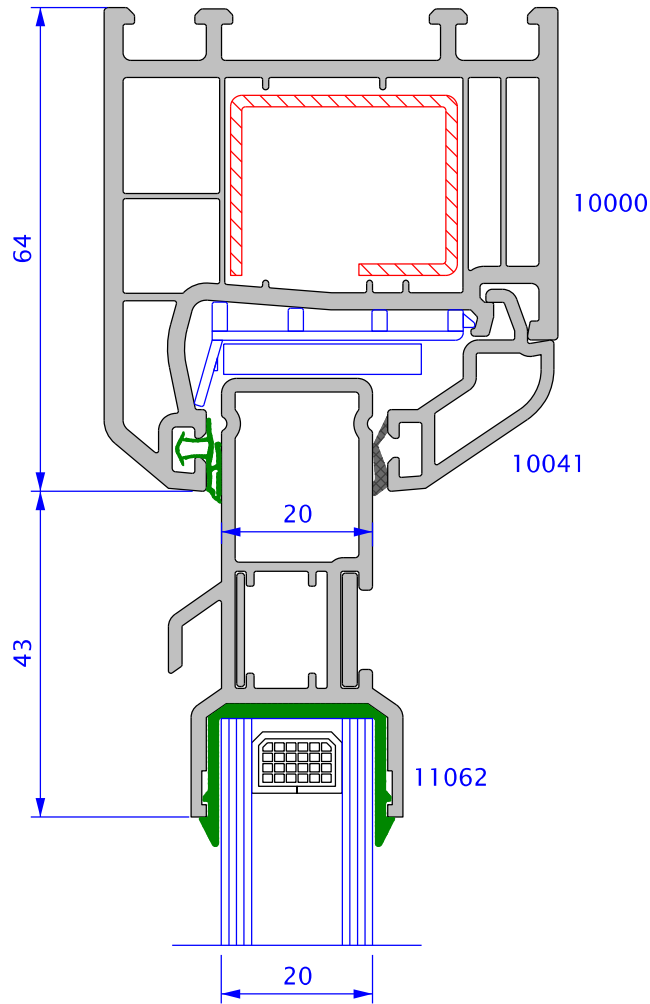
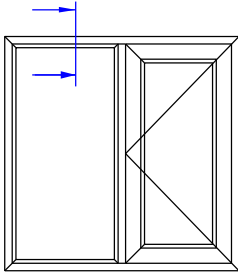


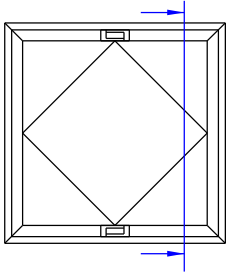




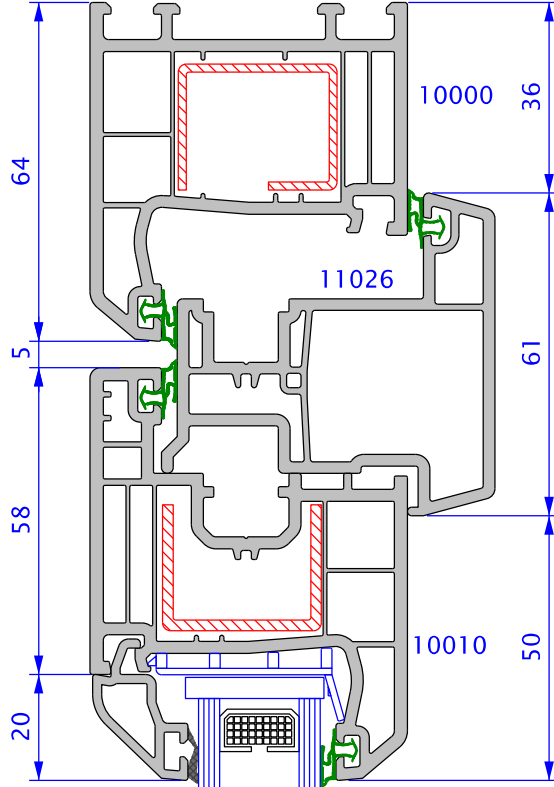




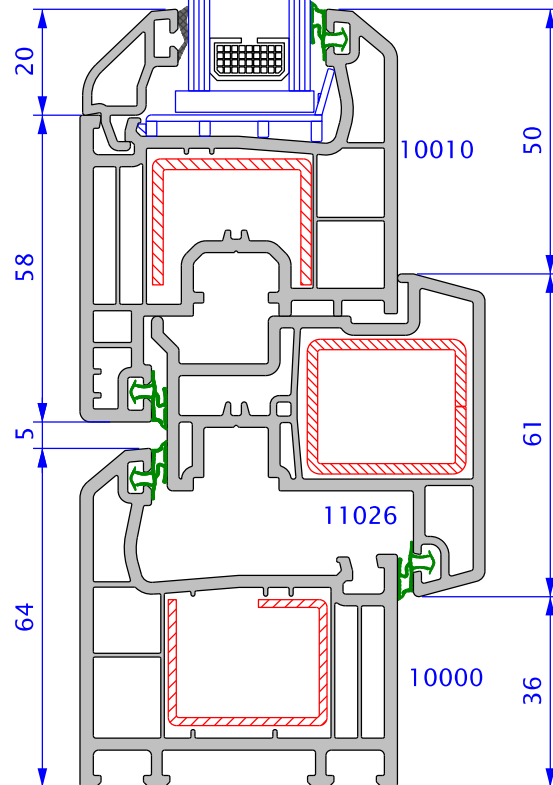


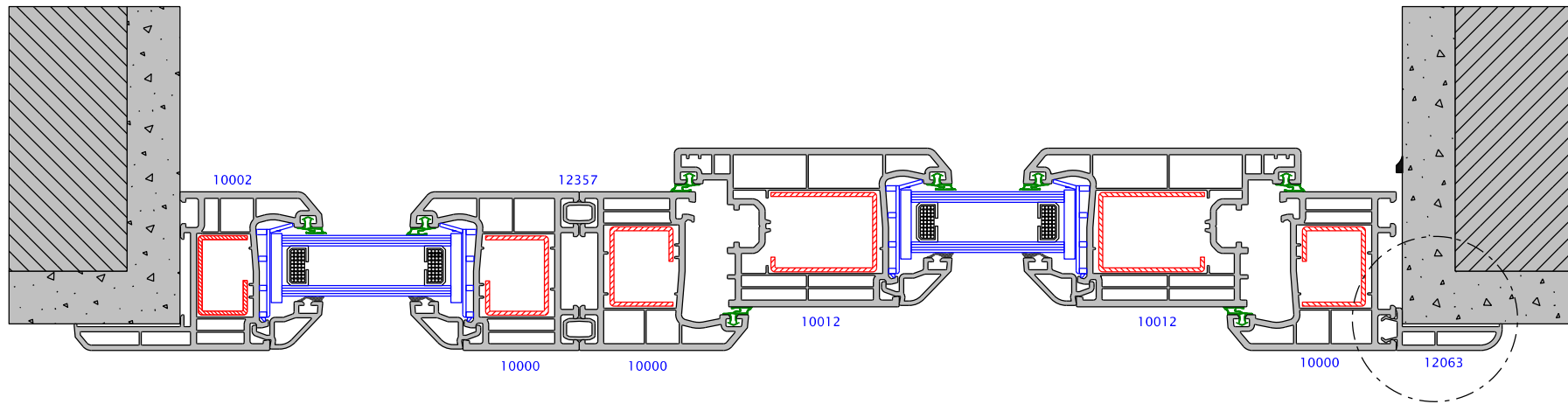
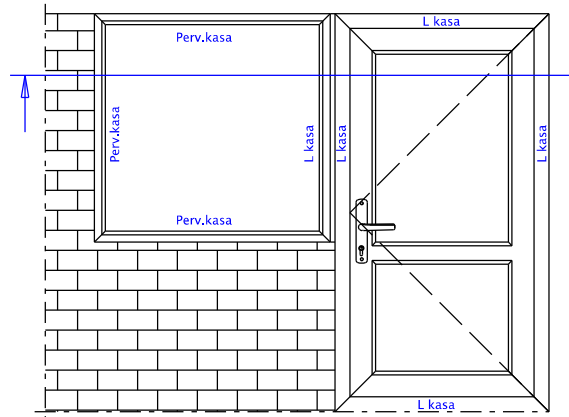


TOP



BOTTOM





\* In these kind of applications, standard frame L (10000)  
can be used as the frame of door  
The frame extension 40 mm(12063)  
must be added to standard frame to have same view

