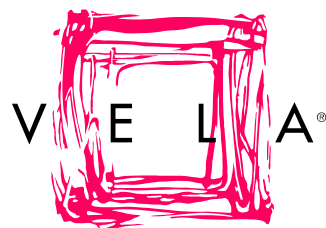


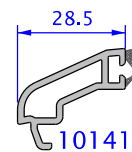
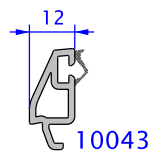
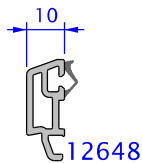
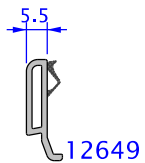
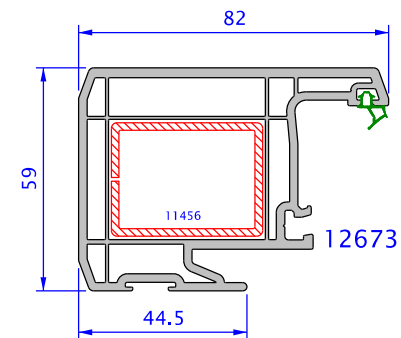
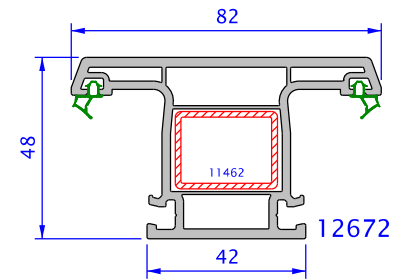
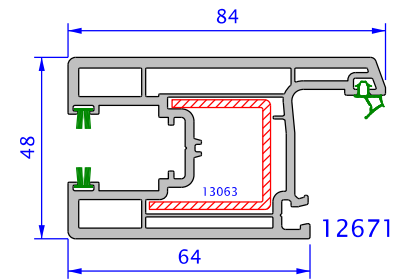
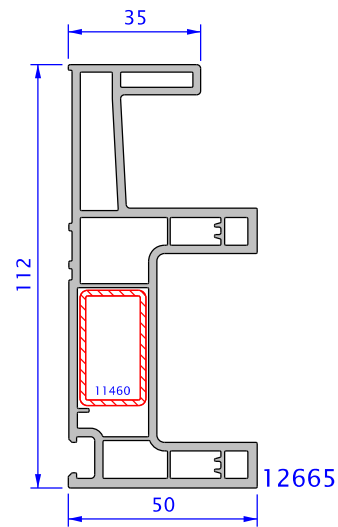
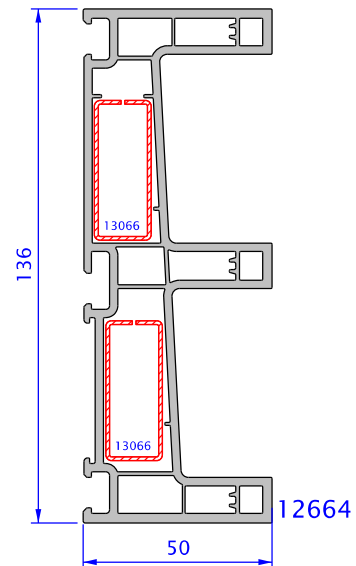
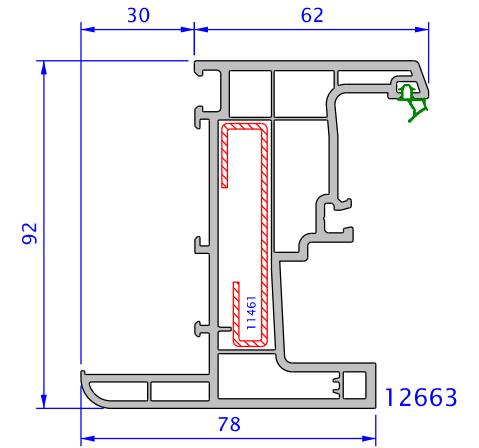
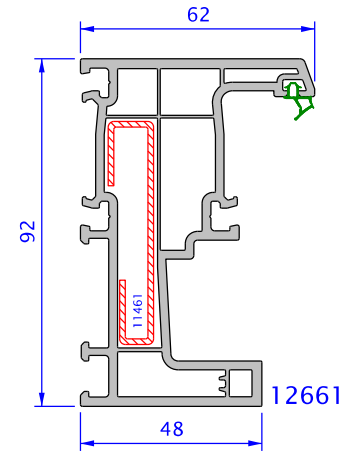
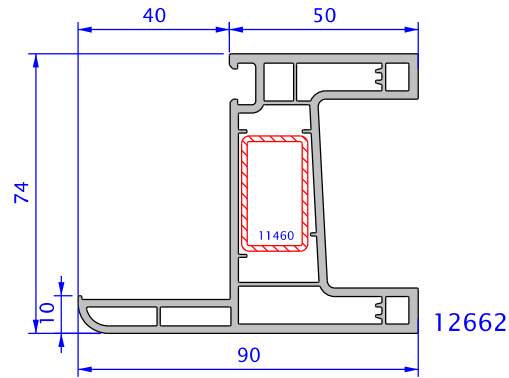
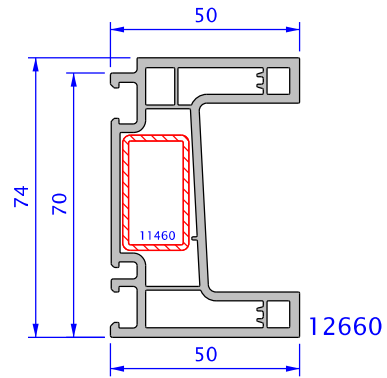
TECHNICAL MANUEL

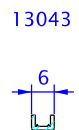
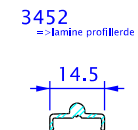
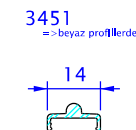
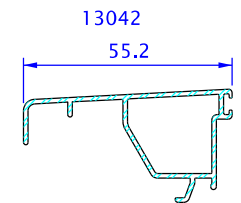
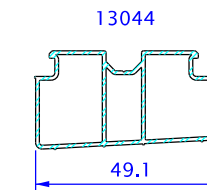
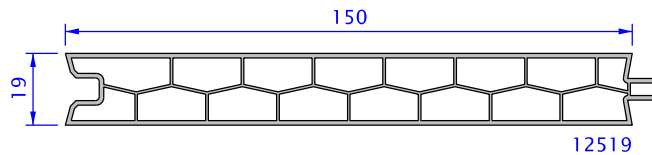
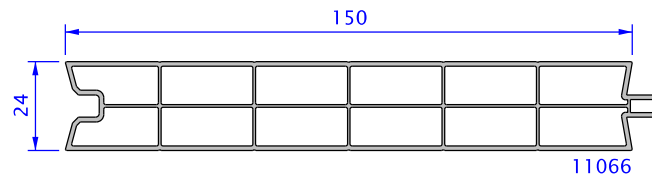
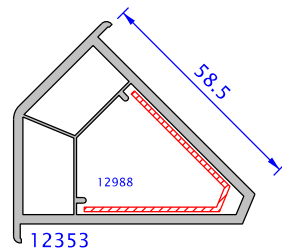
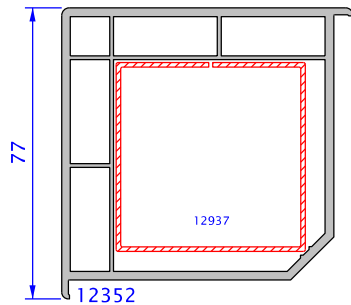
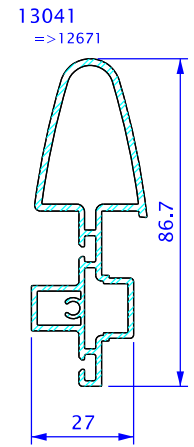
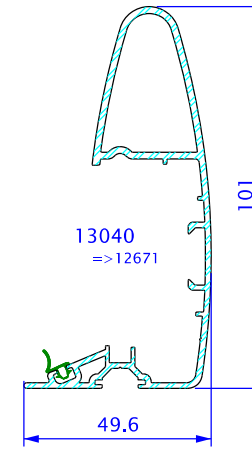
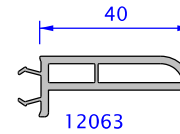
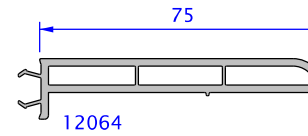
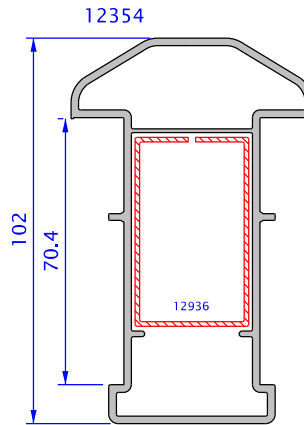
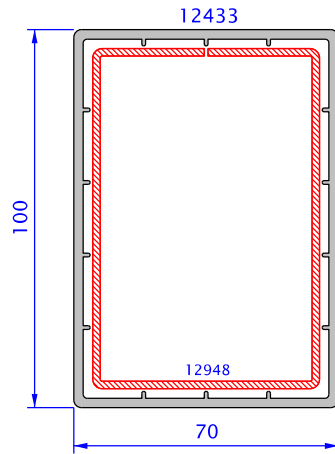
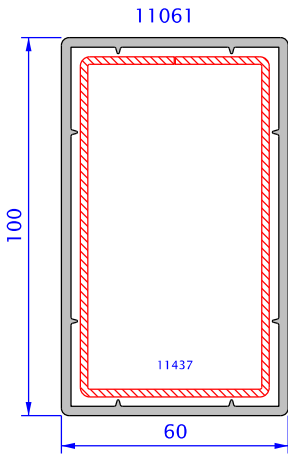
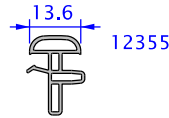
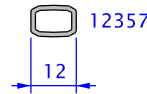
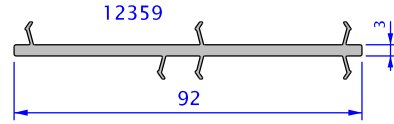
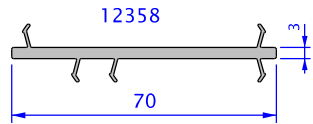
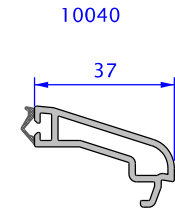
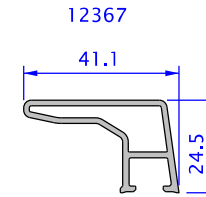
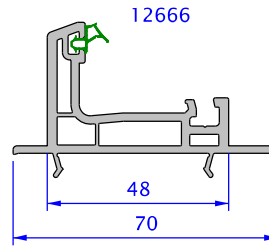
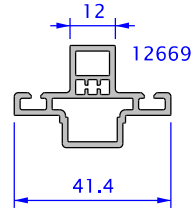
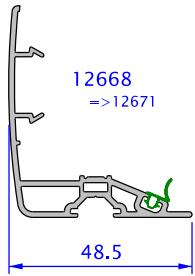


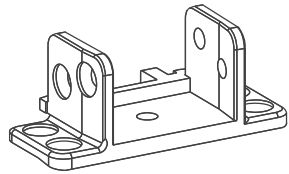
winsa[®]
PVC WINDOW , DOOR , ROLLER SHUTTER SYSTEMS

MARCH 2011

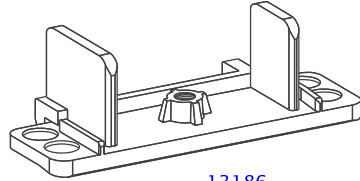
	<u>page number</u>
System Overview	1.1 – 1.3
Main Profiles	2.1 – 2.6
Glazing Beads	2.7
Auxiliary Profiles and Products	3.1 – 3.5
Sections	4.1 – 4.42



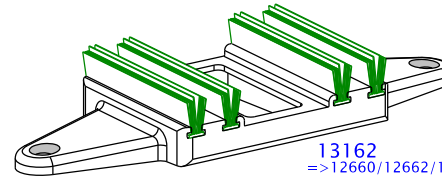




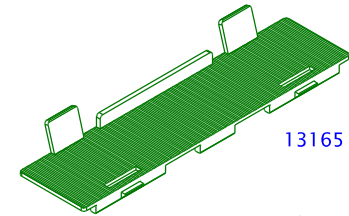
13185
=>12661/12671



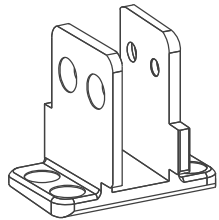
13186
=>12673



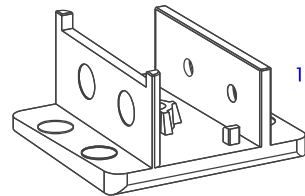
13162
=>12660/12662/12664



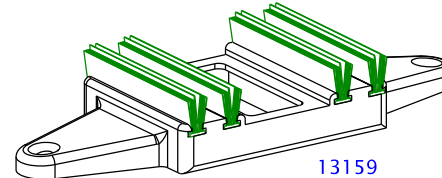
13165



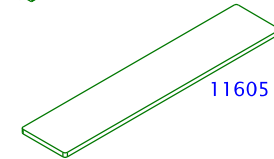
13187
=>12661



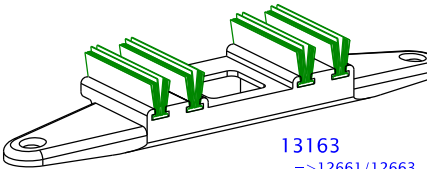
13188
=>12660



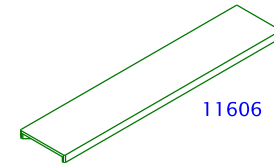
13159
=>12665



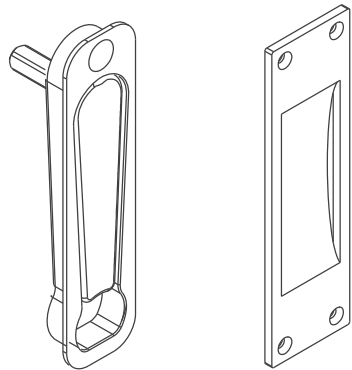
11605



13163
=>12661/12663

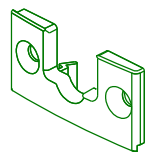


11606

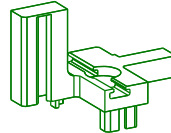


13190

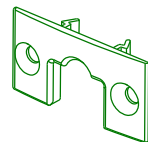
11559



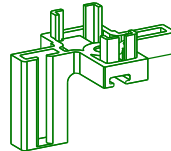
13161
=>12661



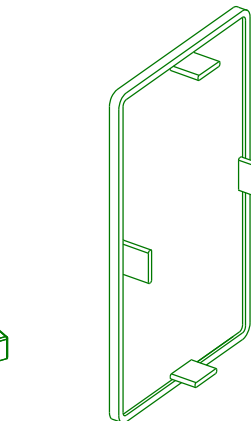
13164
=>12669



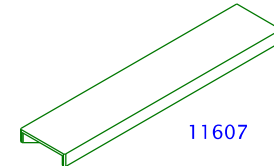
13161
=>12661



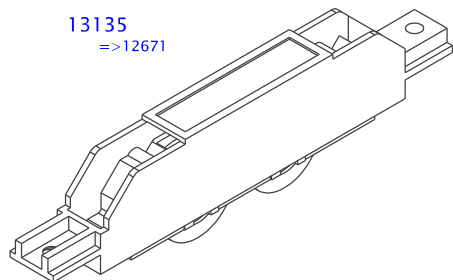
13164
=>12669



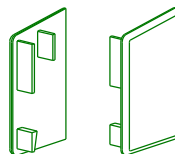
11643
=>11061



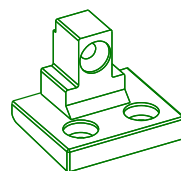
11607



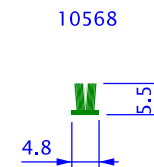
13135
=>12671



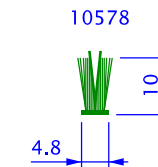
13116
=>12367



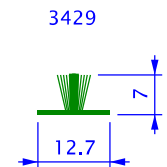
13166
=>12660/12661/12663



10568



10578



3429

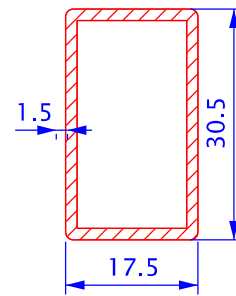
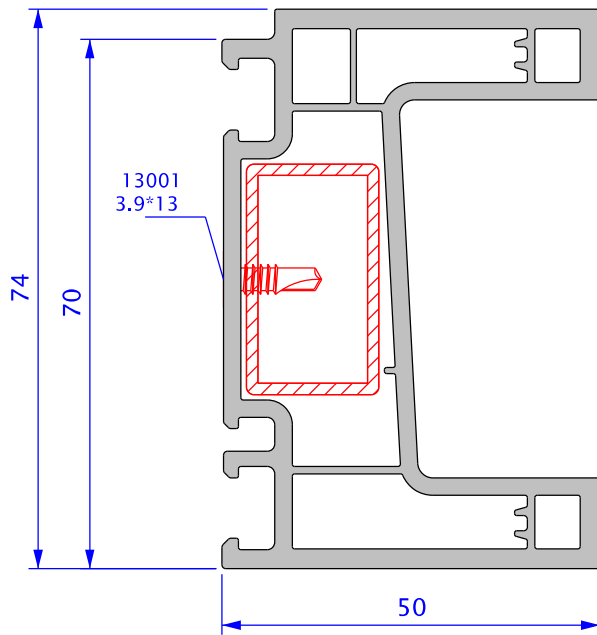
12958



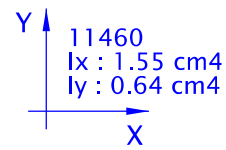
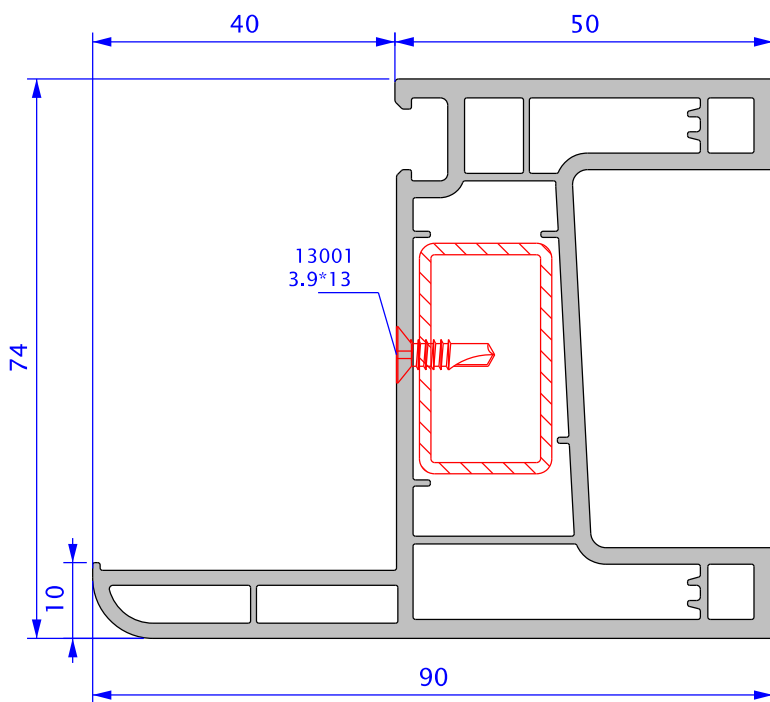
3299



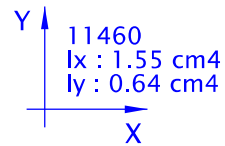
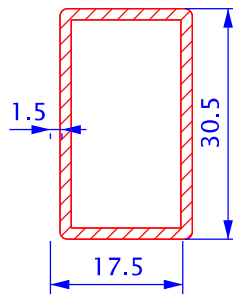
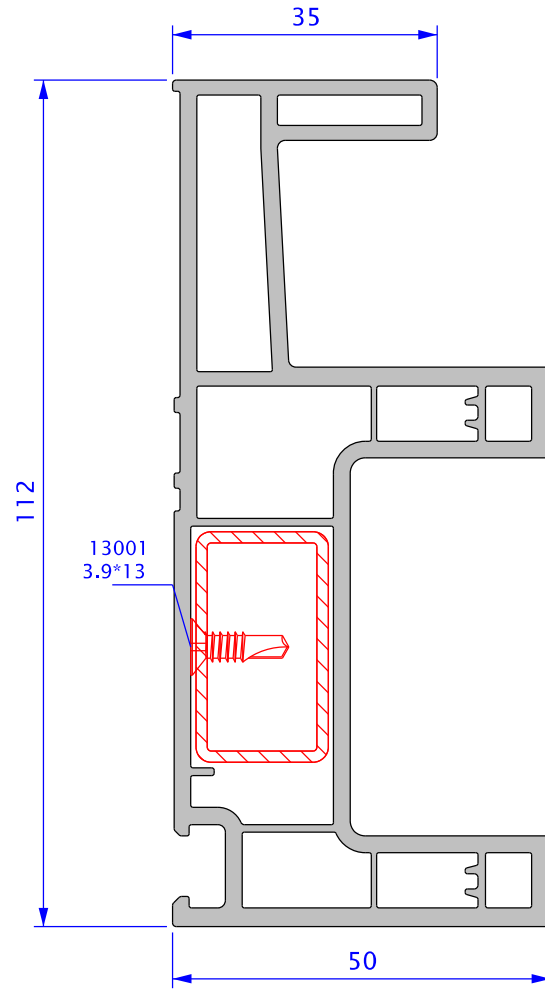
12660
SLIDING FRAME



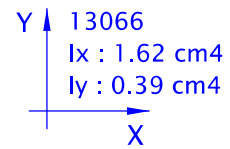
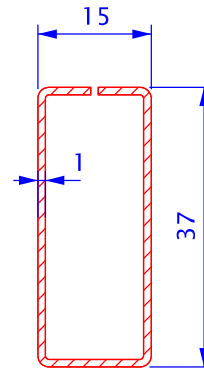
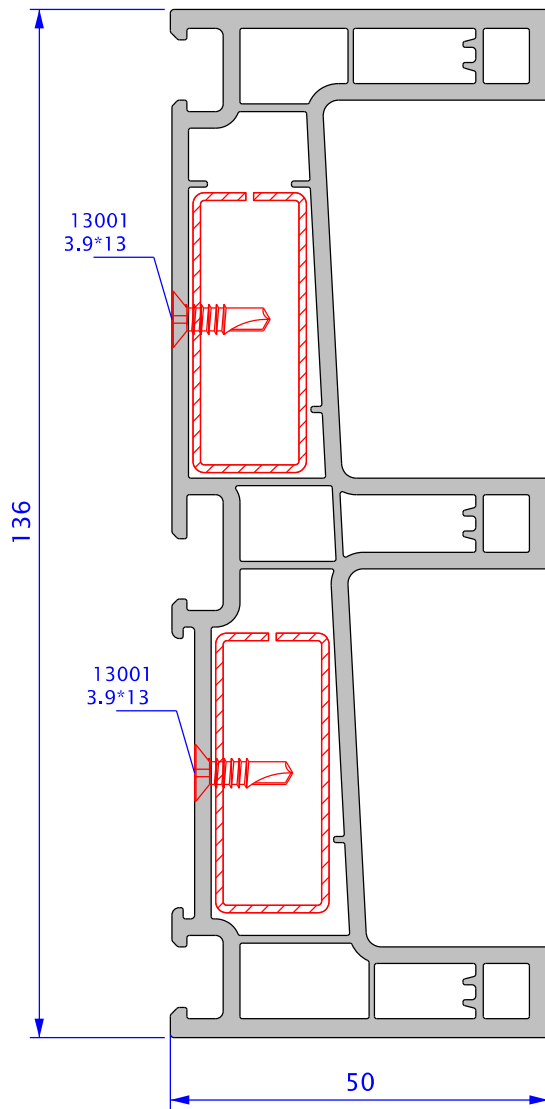
12662
SLIDING ARCHITRAVE FRAME



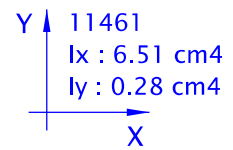
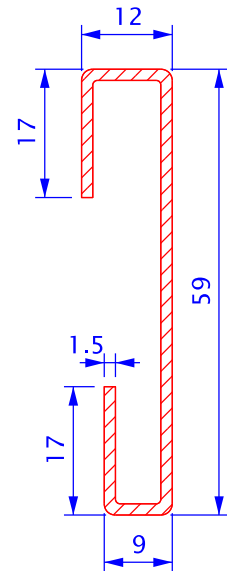
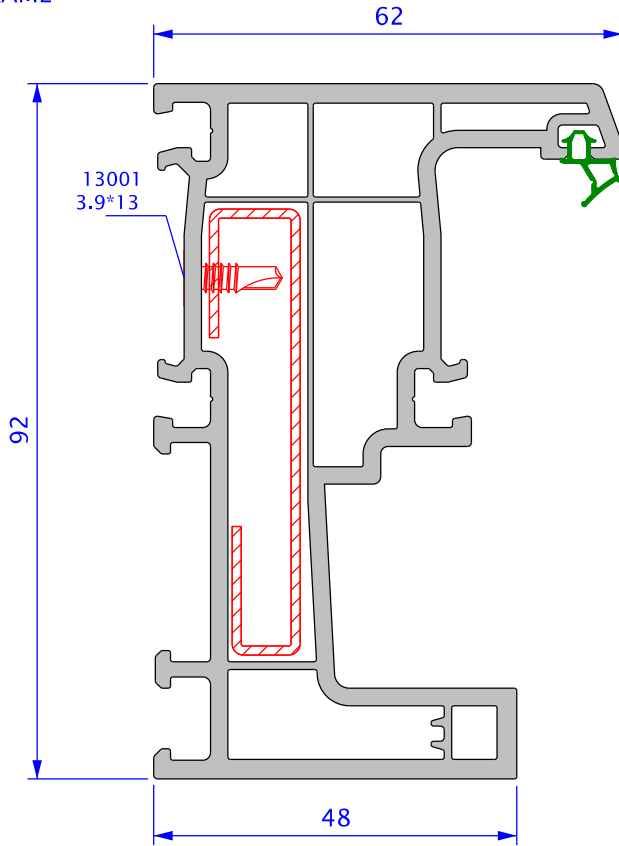
12665
SLIDING FRAME with FLYSCREEN



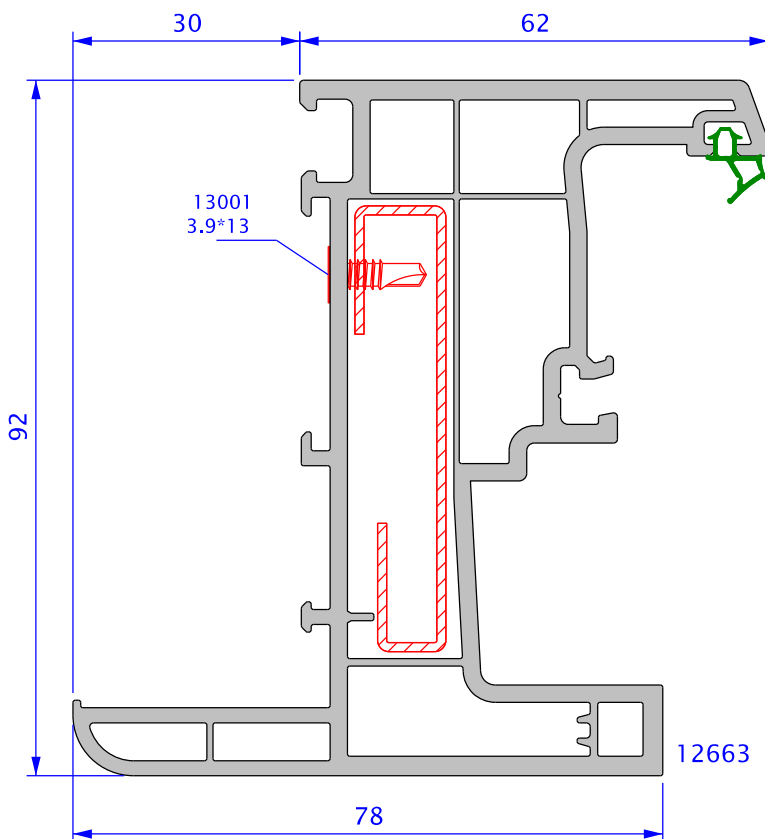
12664
SLIDING FRAME with 3 RAILS



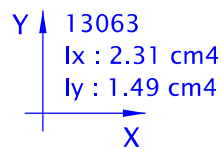
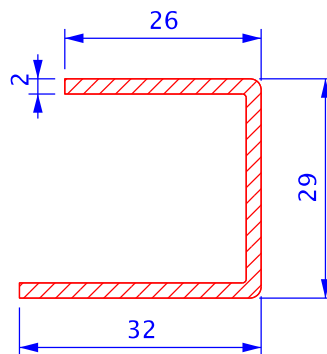
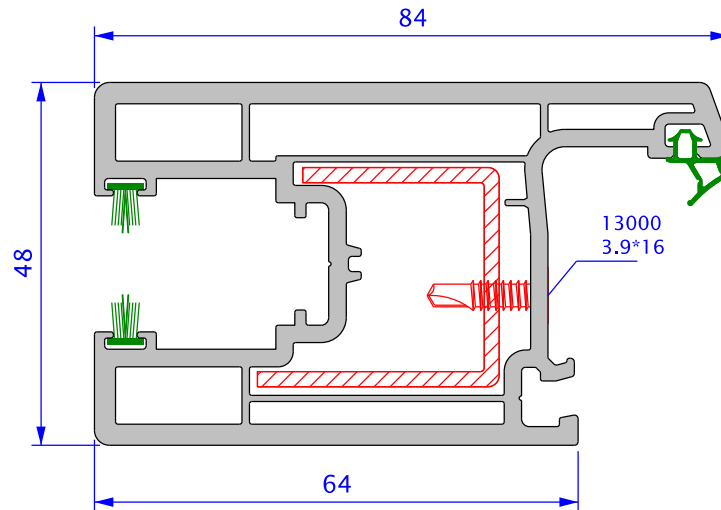
12661
SLIDING FIXED FRAME



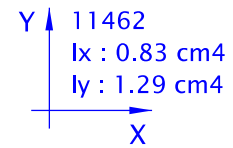
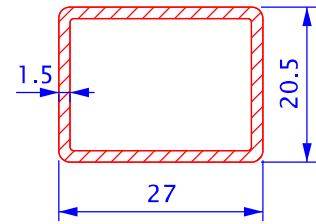
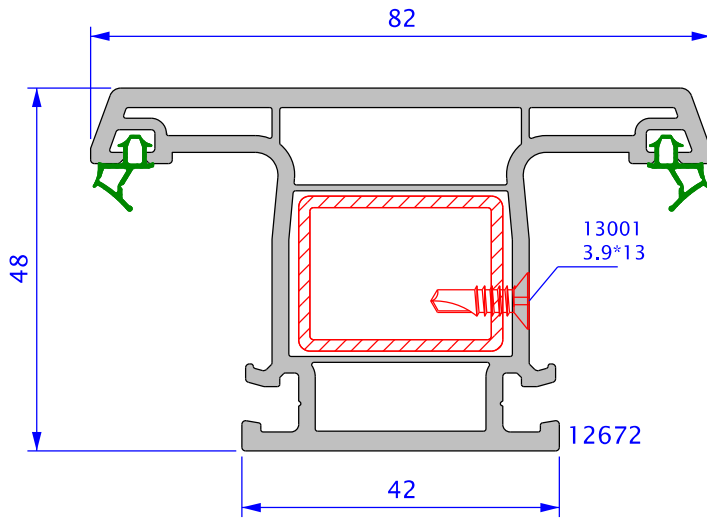
12663
FIX SLIDING ARCHITRAVE FRAME



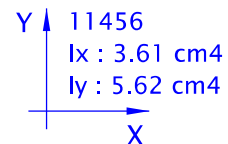
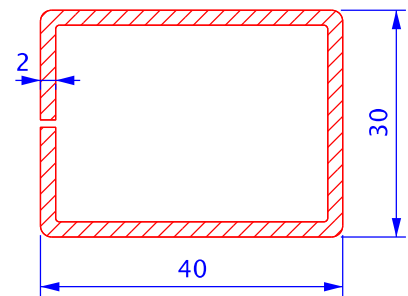
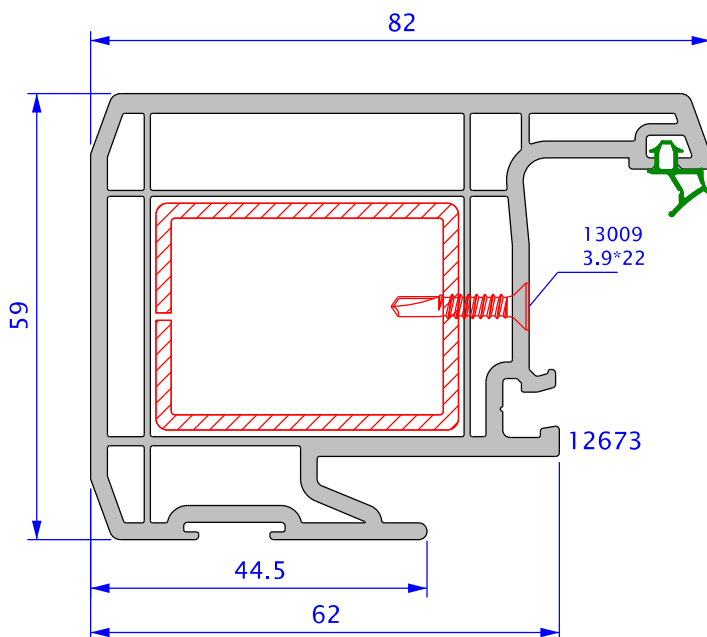
12671
SLIDING SASH

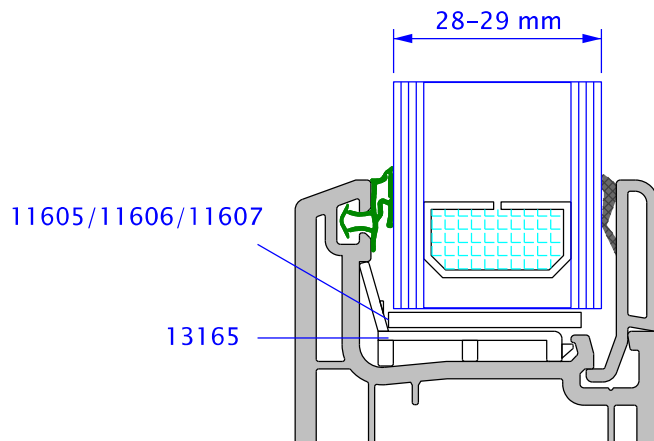
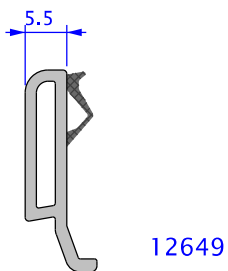
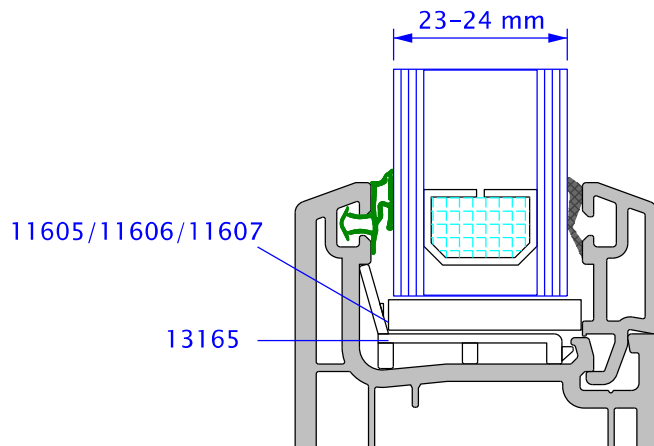
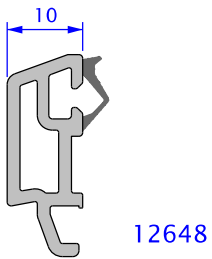
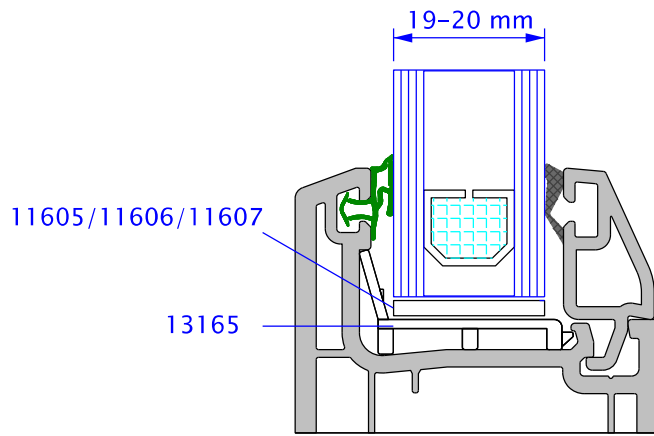
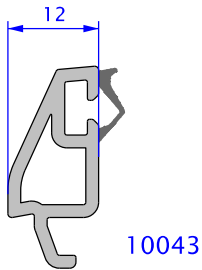
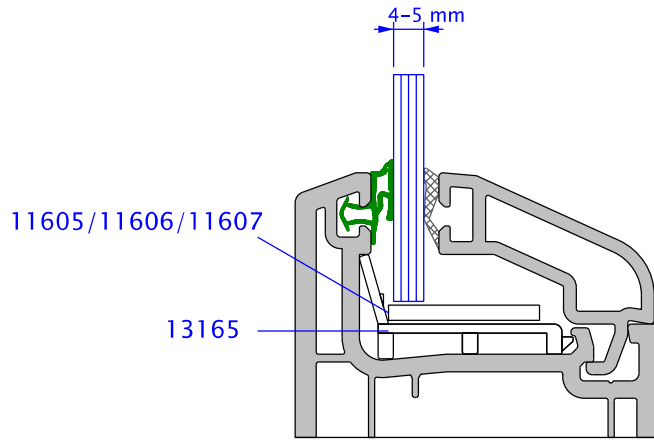
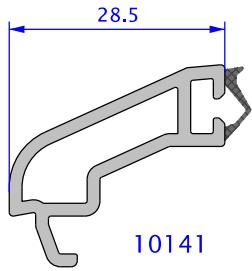


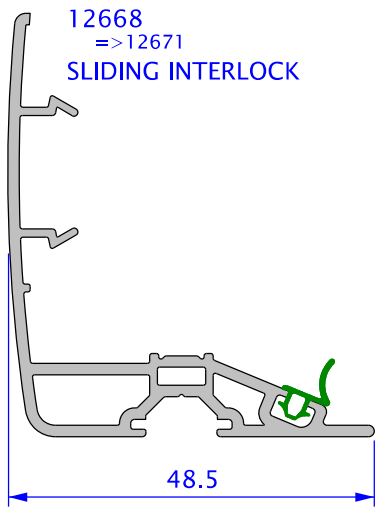
12671
SLIDING TRANSOM



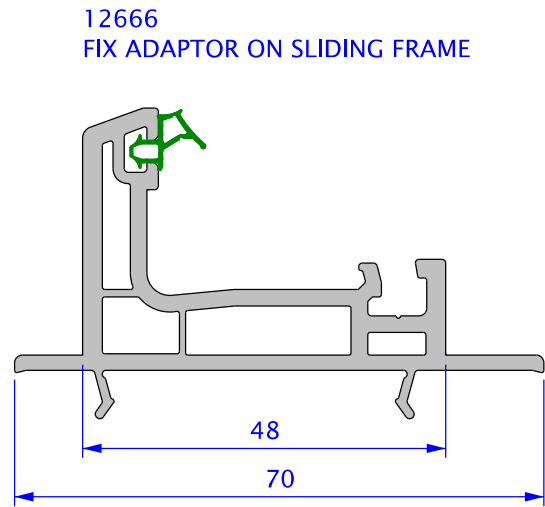
12672
SLIDING VERTICAL TRANSOM



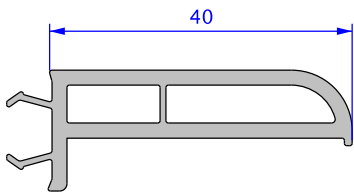




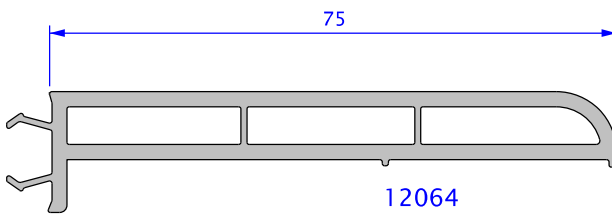
12668
=>12671
SLIDING INTERLOCK



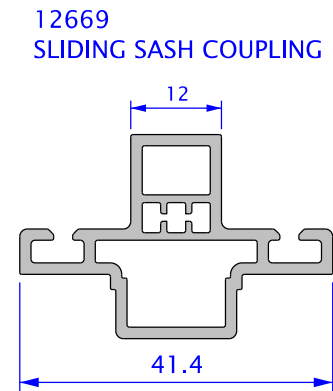
12666
FIX ADAPTOR ON SLIDING FRAME



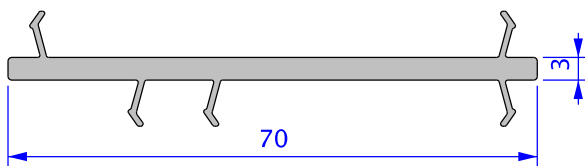
12063
FRAME EXTENSION 40 mm



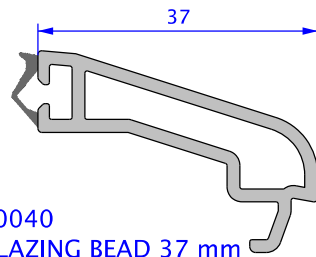
12064
FRAME EXTENSION 75 mm



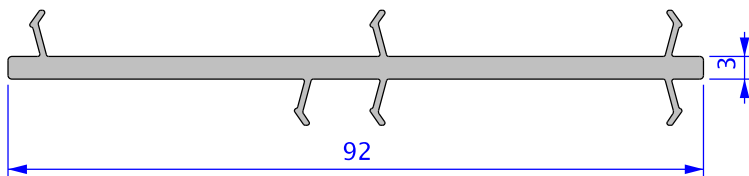
12669
SLIDING SASH COUPLING



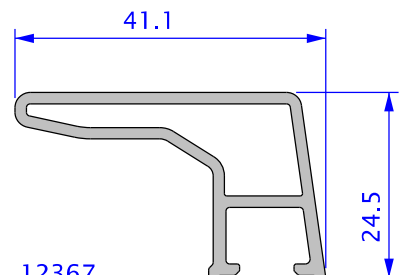
12358
COUPLING 70 mm



10040
GLAZING BEAD 37 mm

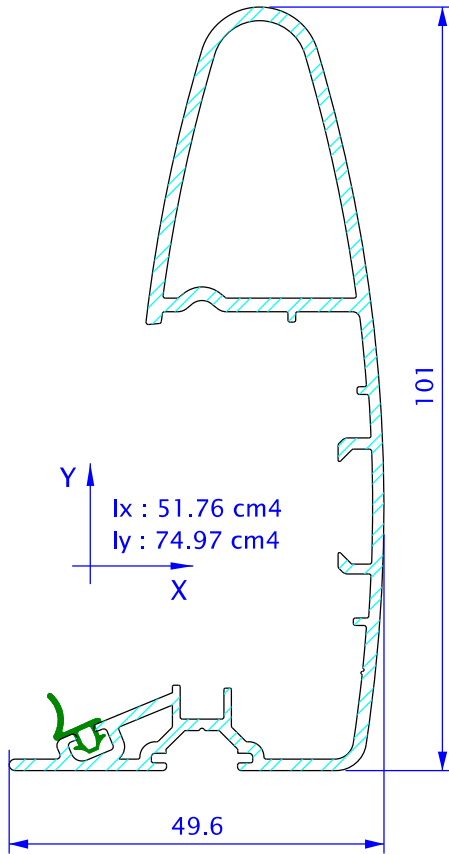


12359
COUPLING 92 mm

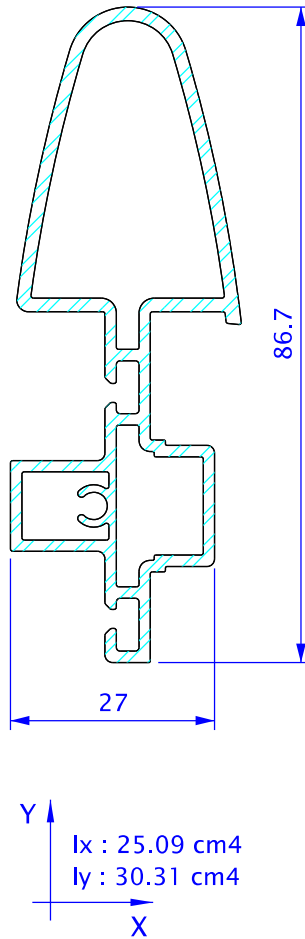


12367
SLIDING RECESS

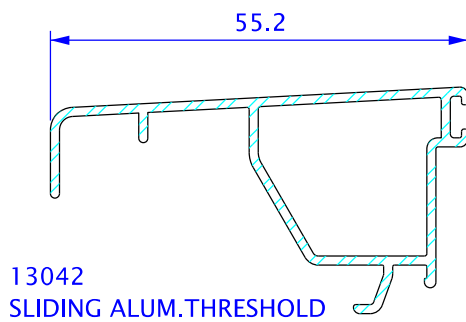
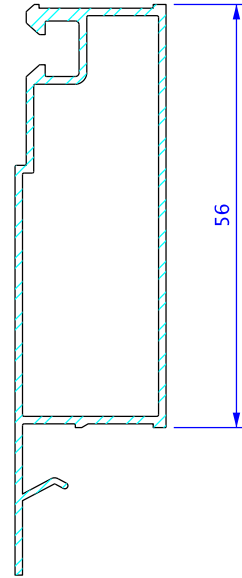
13040
=>12671
SLIDING ALUM.INTERLOCK



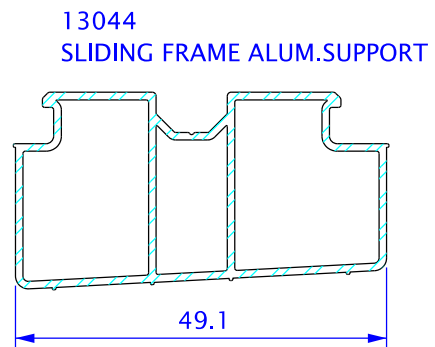
13041
=>12671
SLIDING ALUM.SASH COUPLING



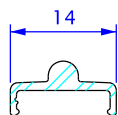
13048
=>12660
ROLLER SHUTTER VER.ADAPTOR



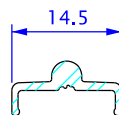
13042
SLIDING ALUM.THRESHOLD



13044
SLIDING FRAME ALUM.SUPPORT



3451
=>whitw profiles
ALUM.RAIL



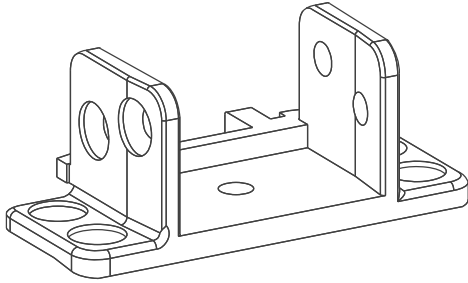
3452
=>laminated profiles
ALUM.RAIL



13043
ALUM.STRIKER SUPPORT

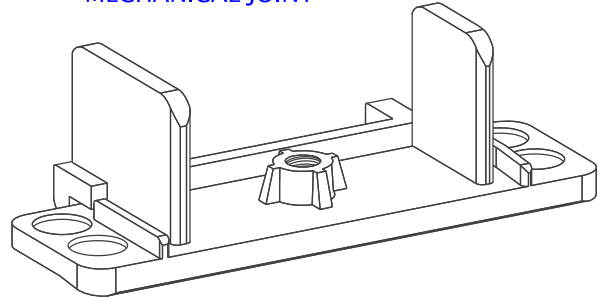
13185
=>12661 / 12672

SLIDING MECHANICAL JOINT



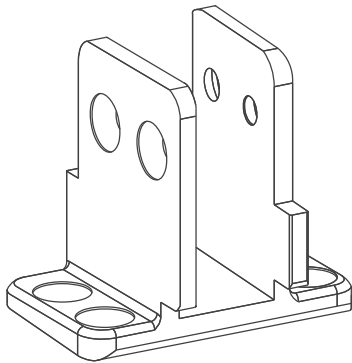
13186
=>12673

FIX SLIDING VERTICAL TRANSOM
MECHANICAL JOINT



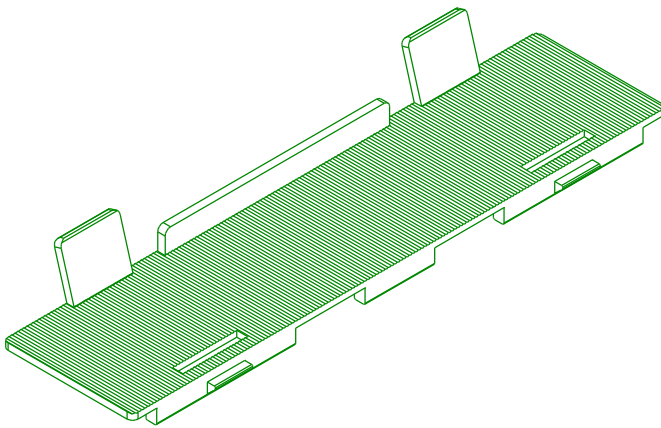
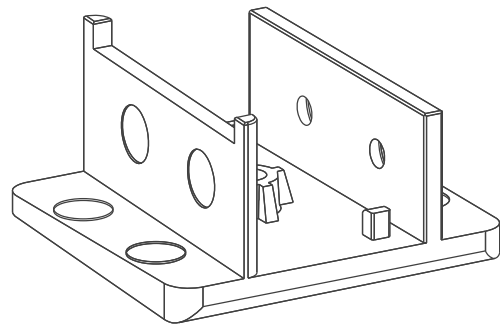
13187
=>12661

FIX SLIDING FRAME MECHANICAL JOINT

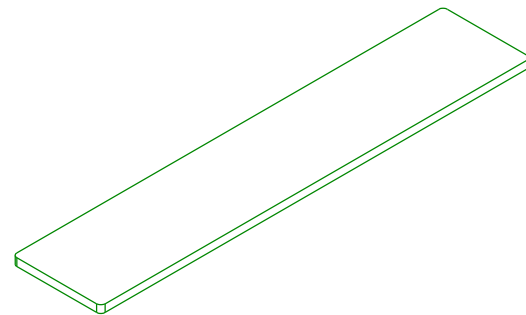


13188
=>12660

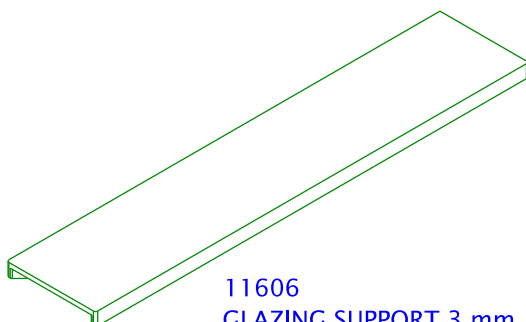
SLIDING FRAME MECHANICAL JOINT



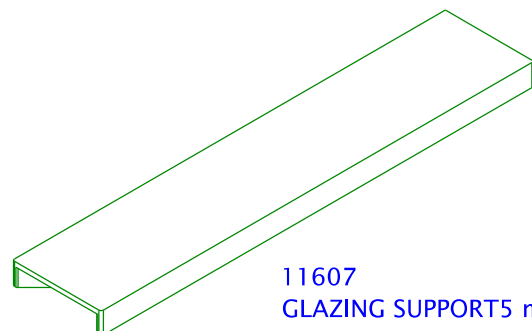
13165
SLIDING GLAZE LIFTING WEDGE



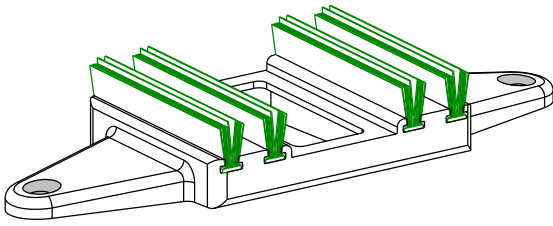
11605
GLAZING SUPPORT 1 mm



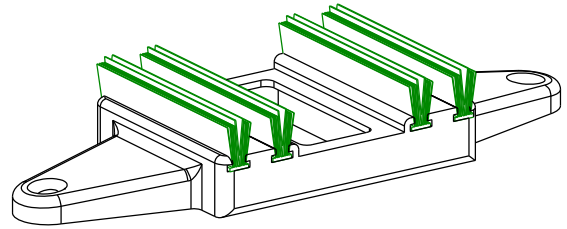
11606
GLAZING SUPPORT 3 mm



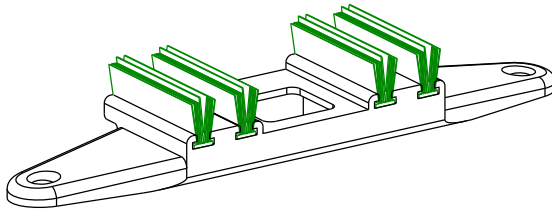
11607
GLAZING SUPPORT 5 mm



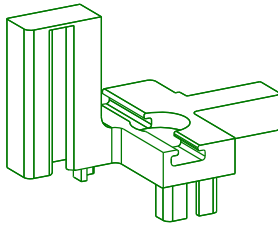
13162
=>12660/12662/12664
SASH LIFTING WEDGE for SLIDING FRAME



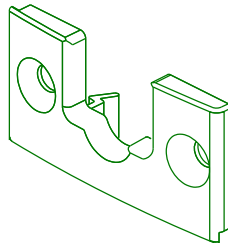
13159
=>12665
SASH LIFT. WEDGE for SLIDING FRAME with SCREEN



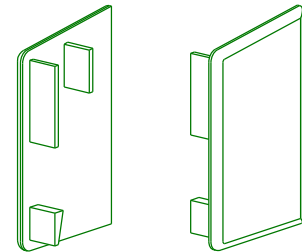
13163
=>12661/12663
SASH LIFTING WEDGE for SLIDING FIXED FRAME



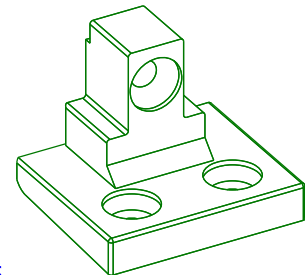
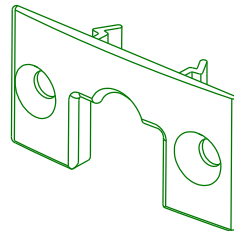
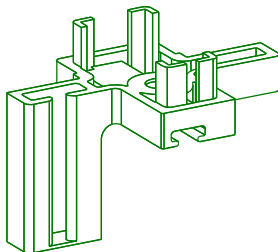
13164
=>12669
END CAP of 12669



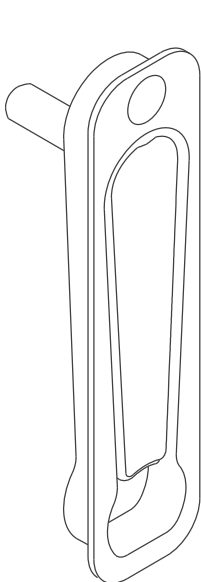
13161
=>12668
END CAP of 12668



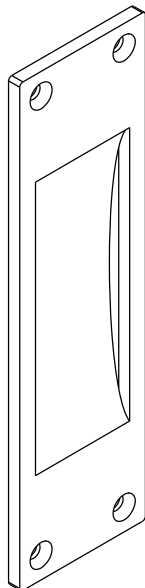
13116
=>12367
END CAP of 12367



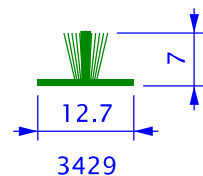
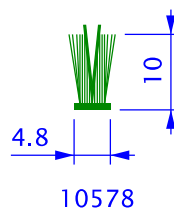
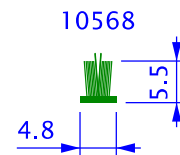
13166
=>12660-12661-12663
STOPPING PIECE for SASH

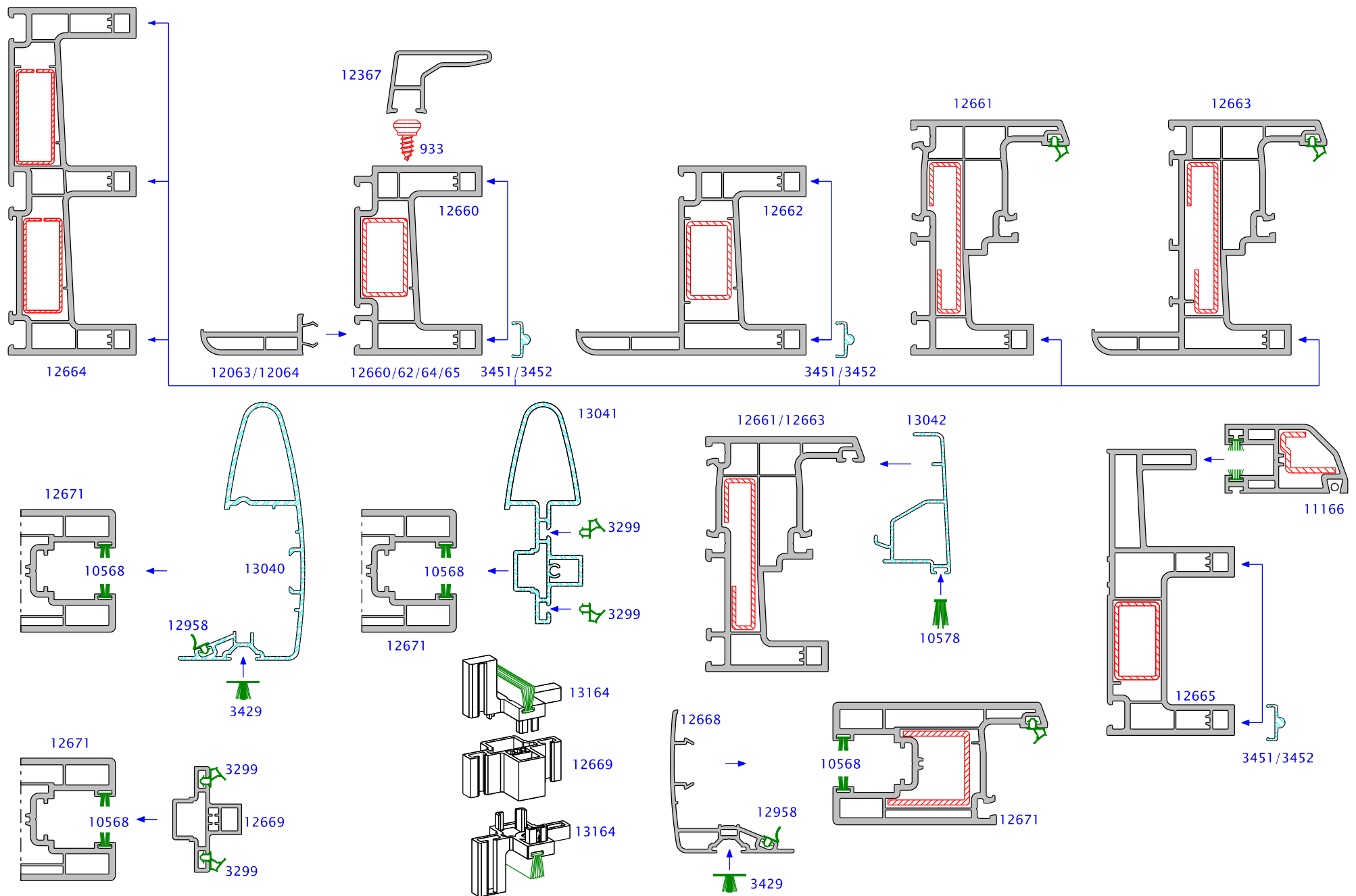


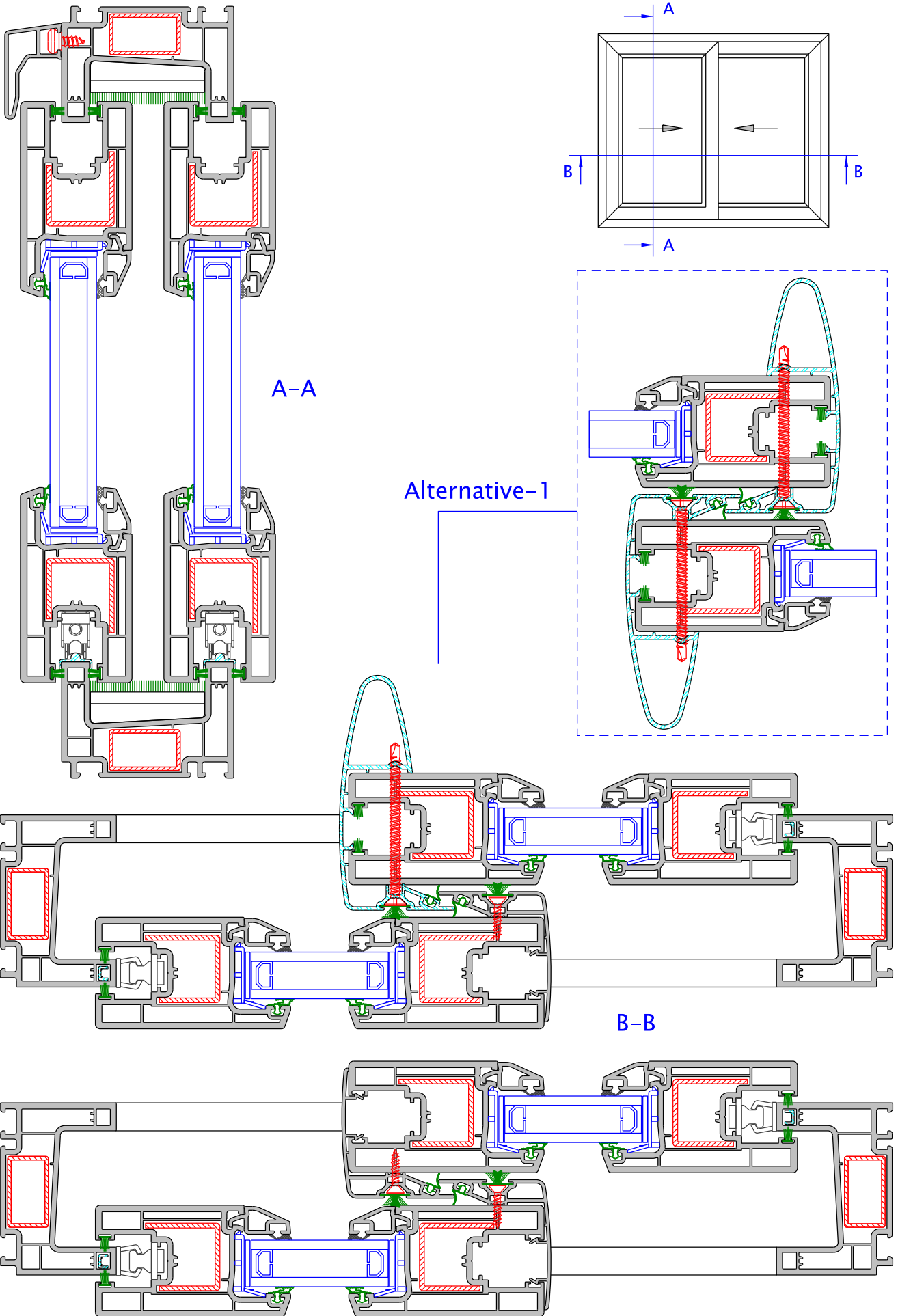
13190
SLIDING EMBEDDED HANDLE

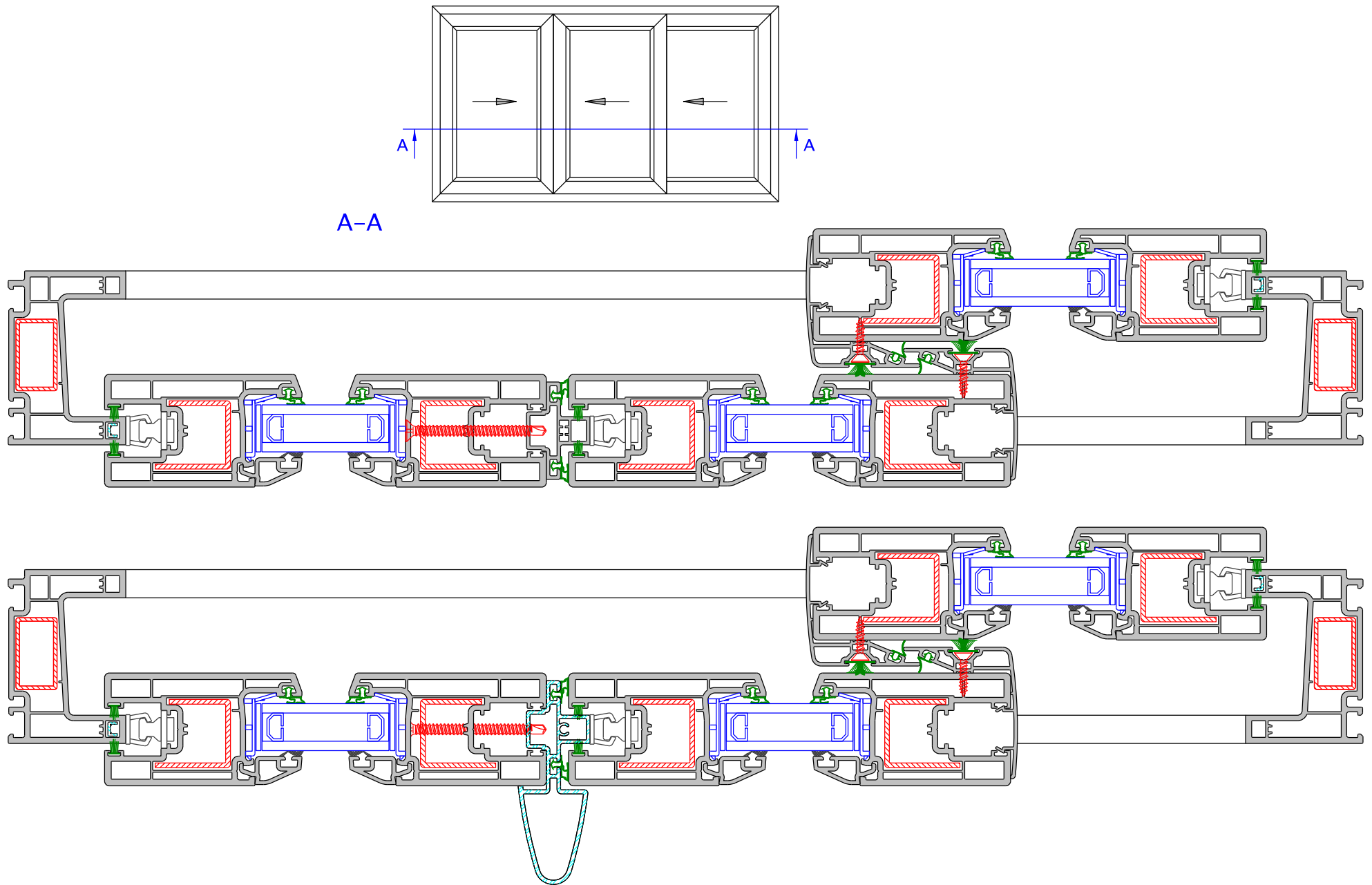


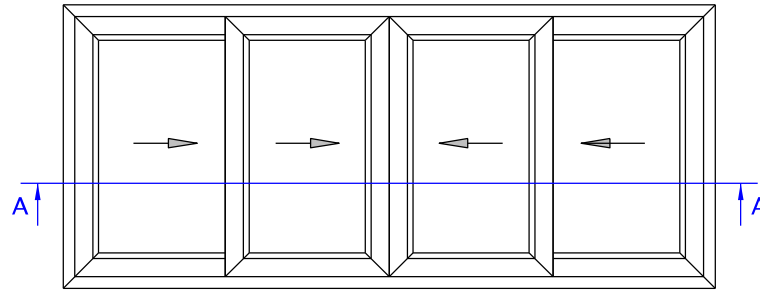
11559
FLUSH DOOR PULL



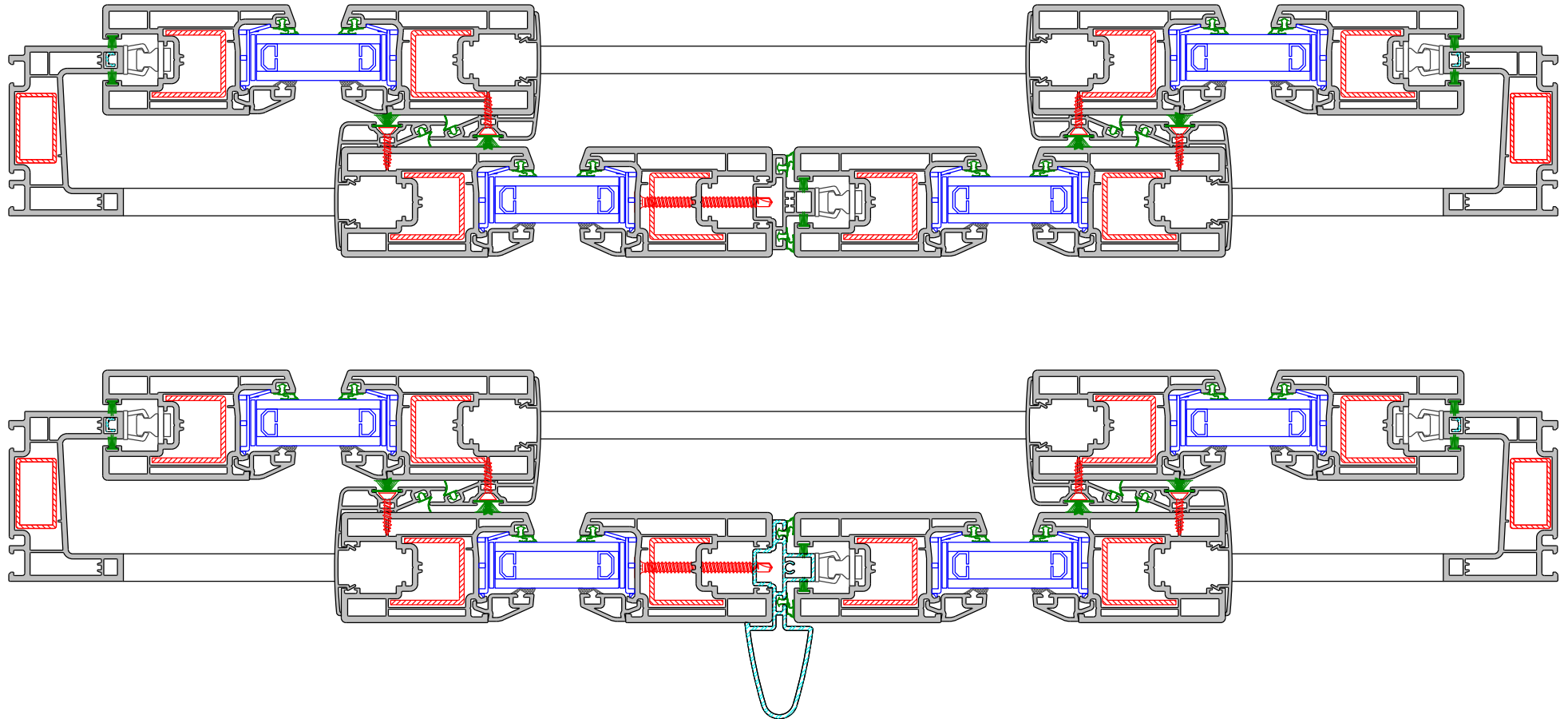


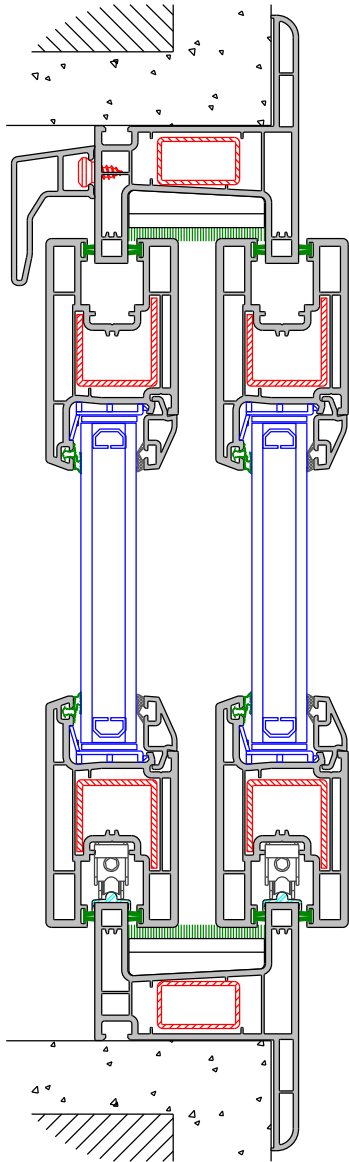




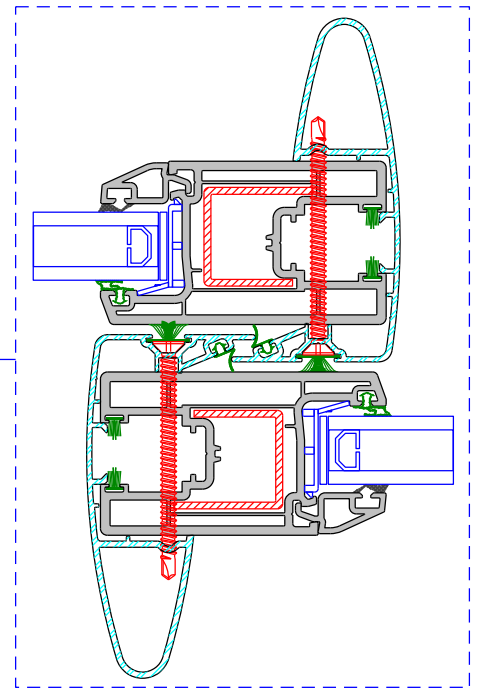
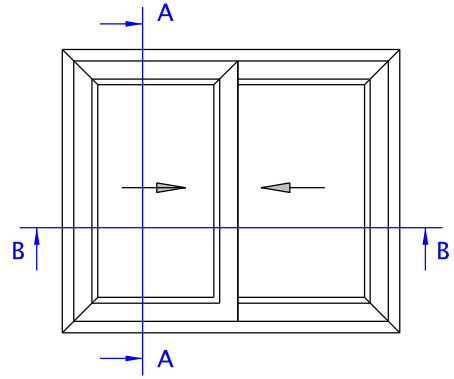


A-A

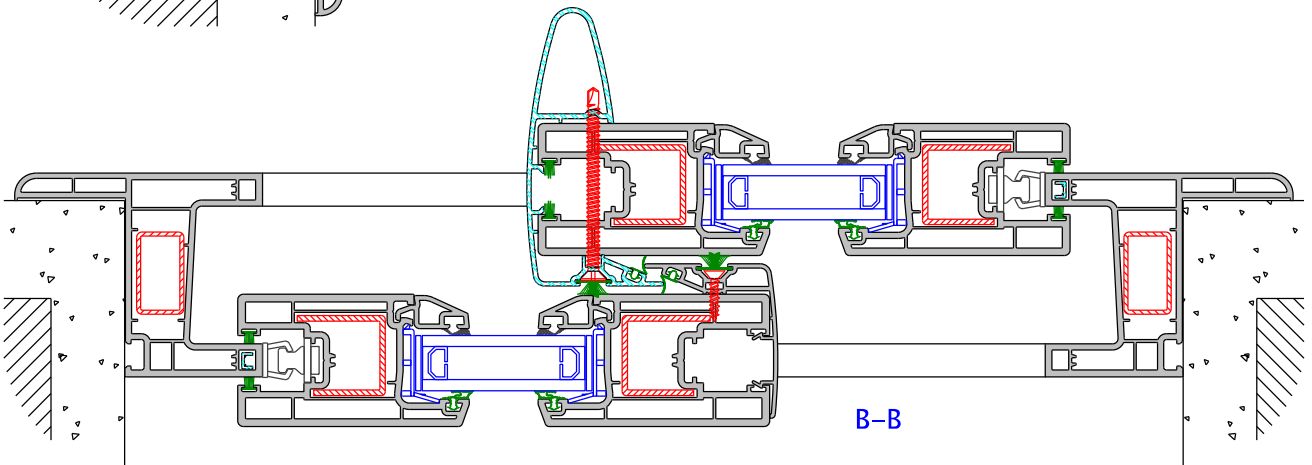




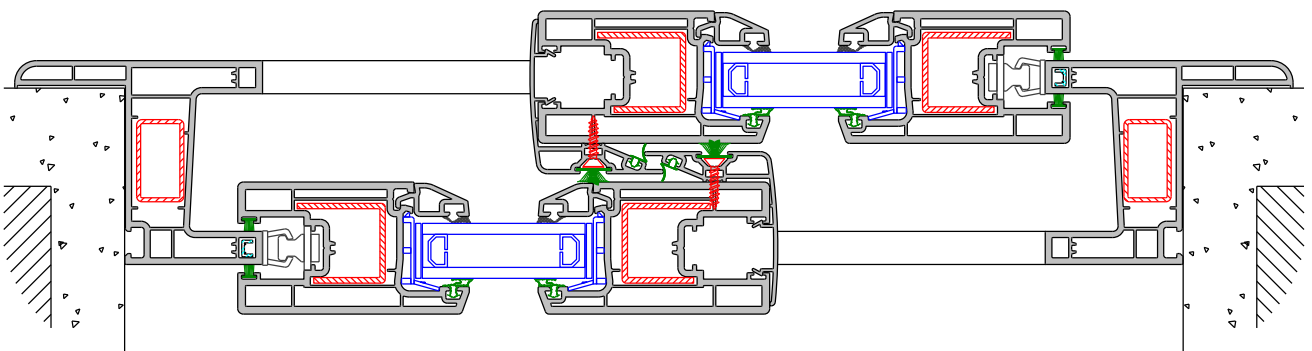
A-A

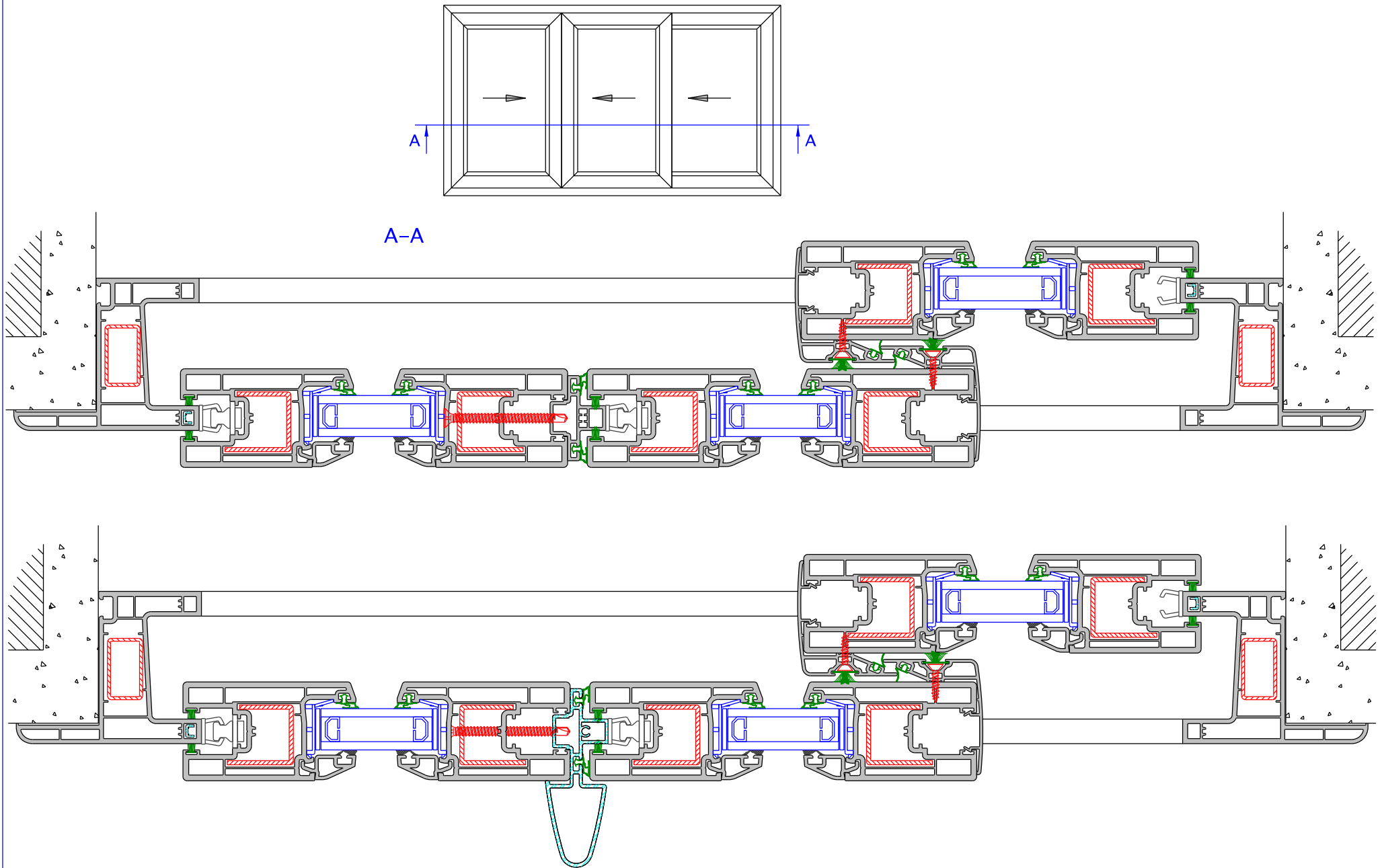


Alternative-1

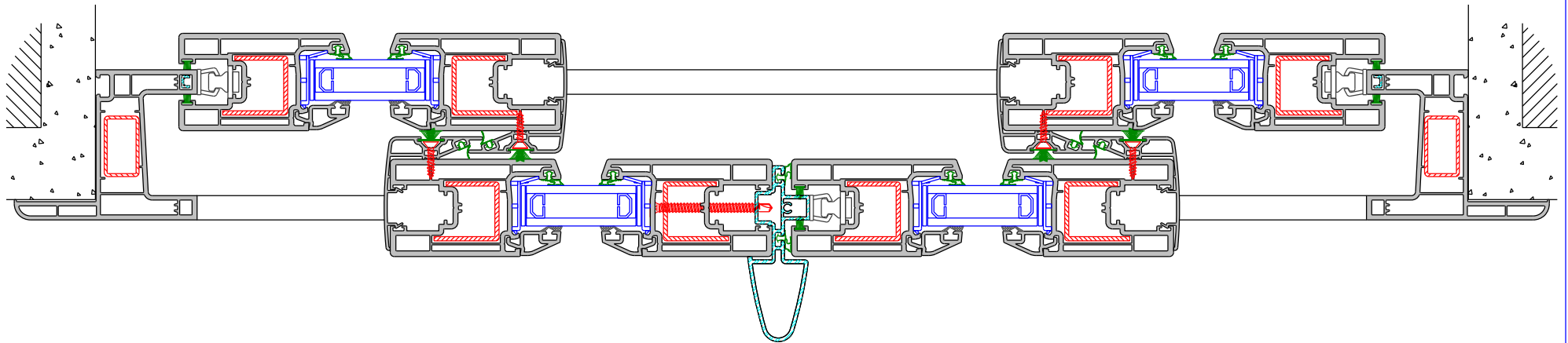
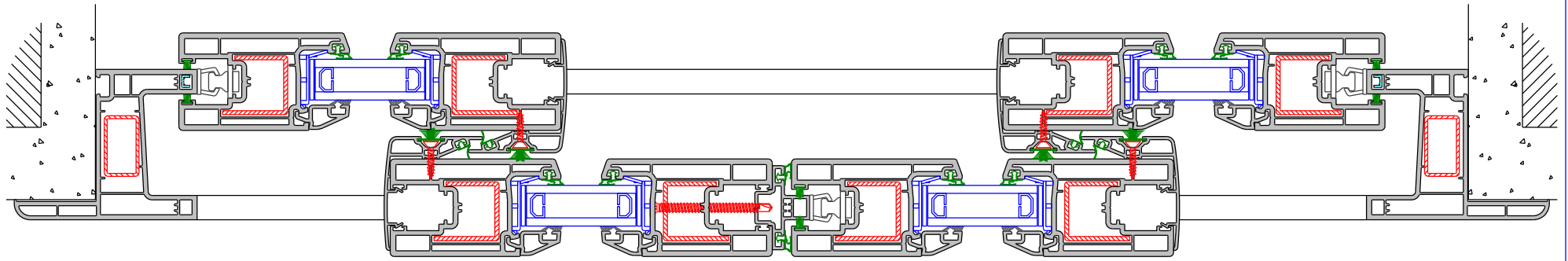
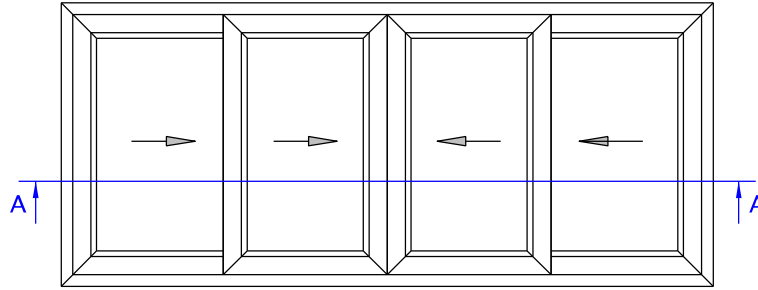


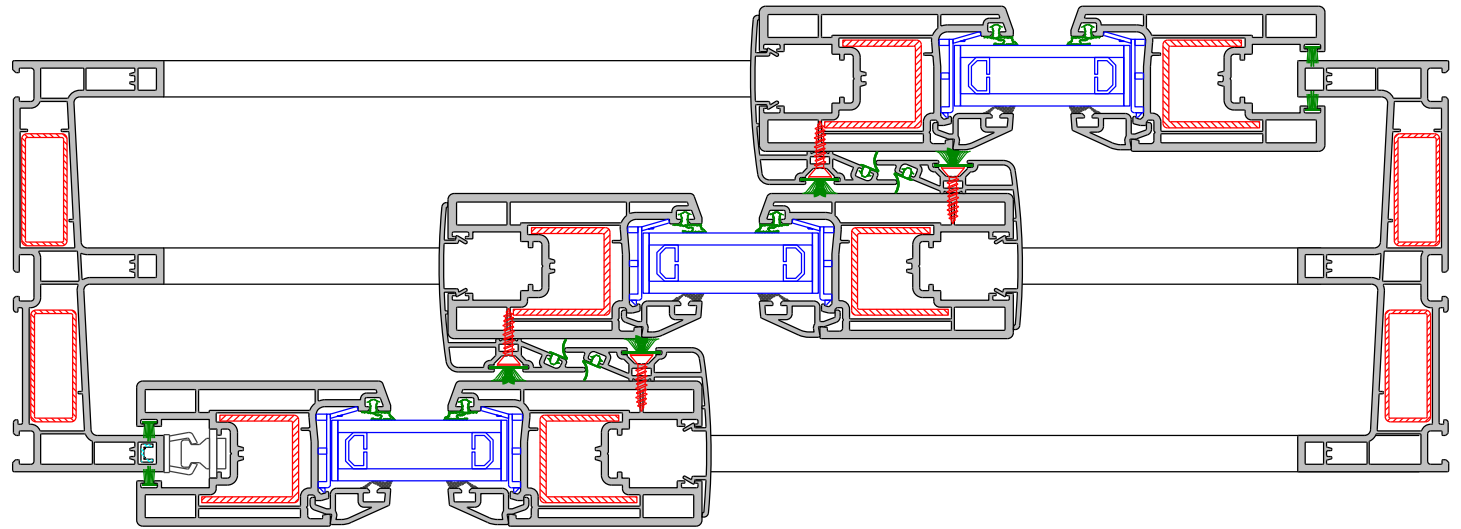
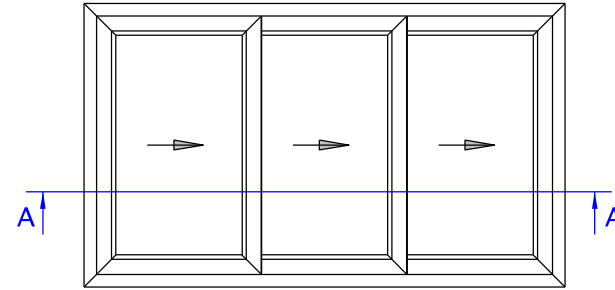
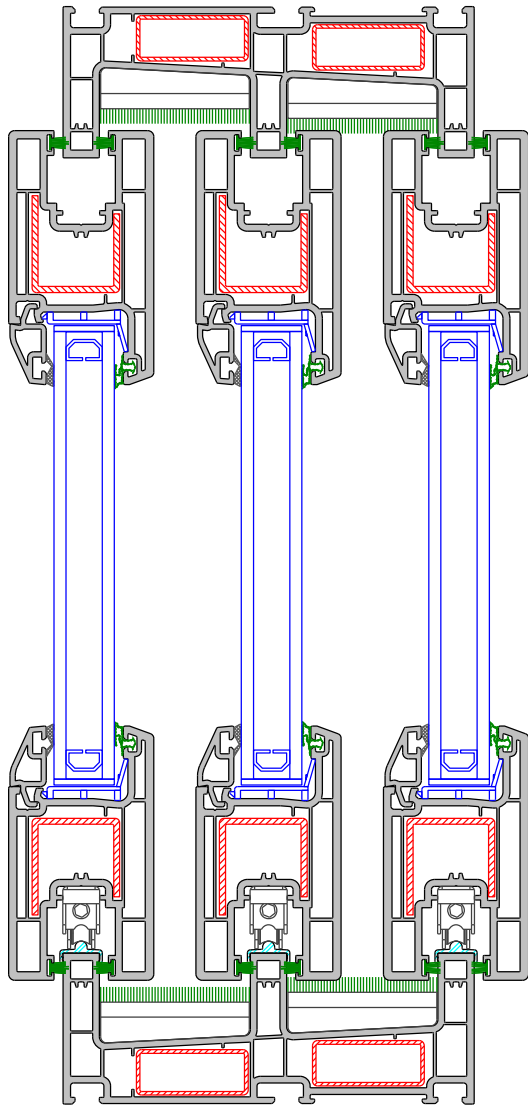
B-B

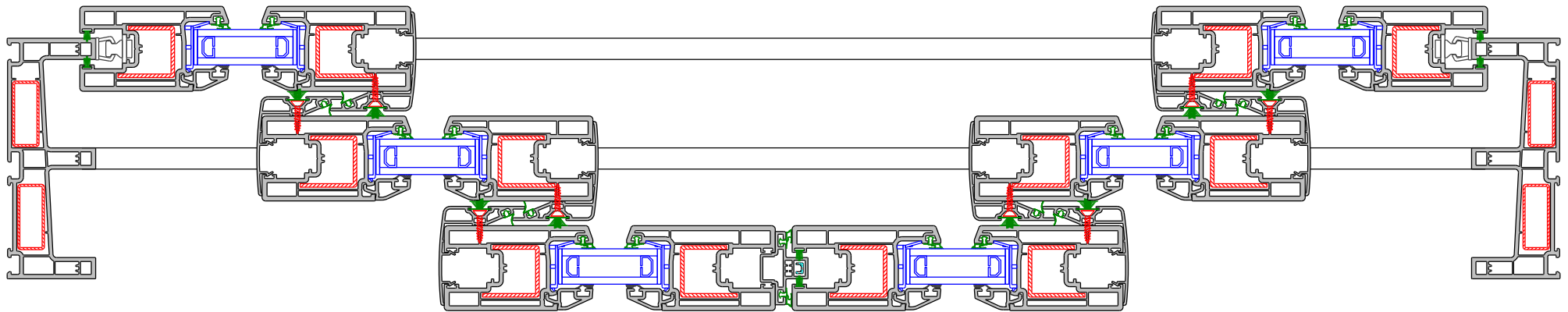
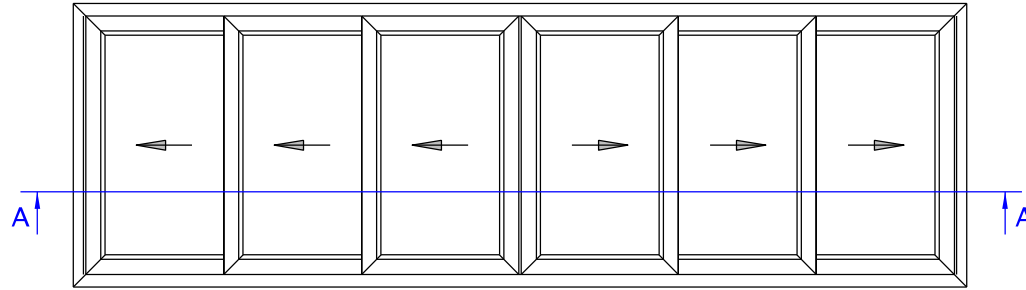


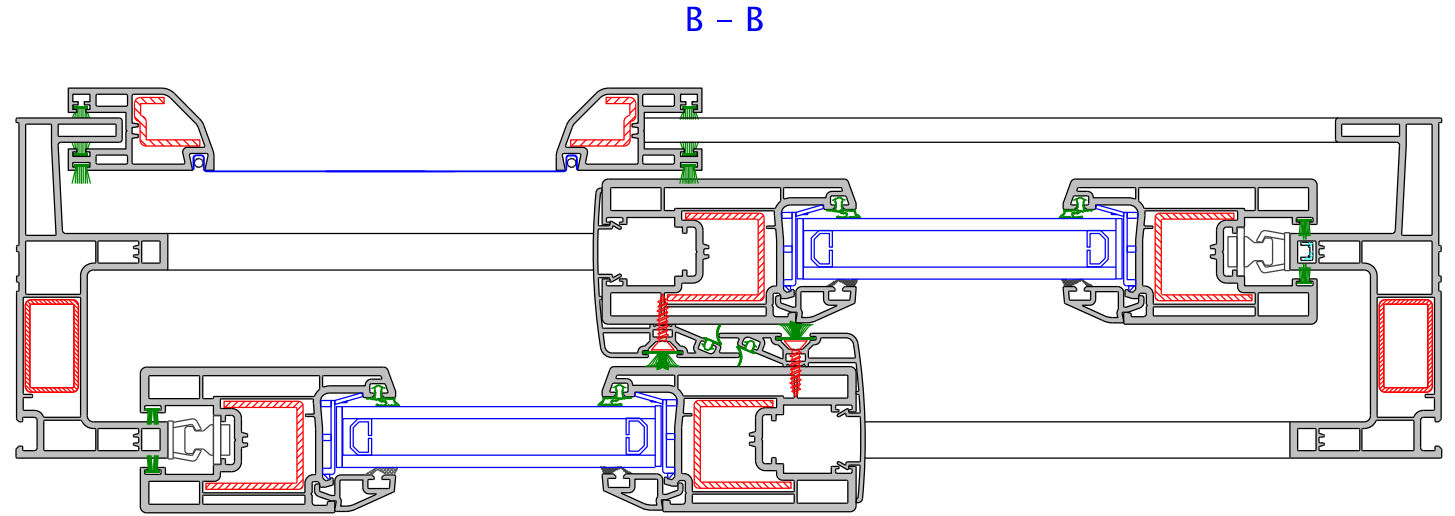
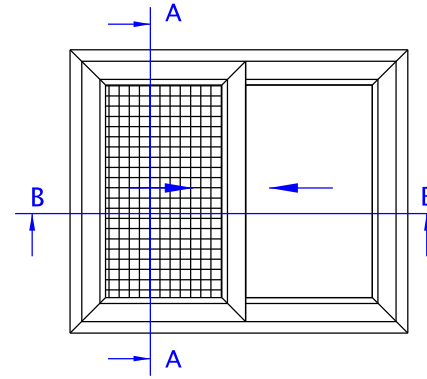
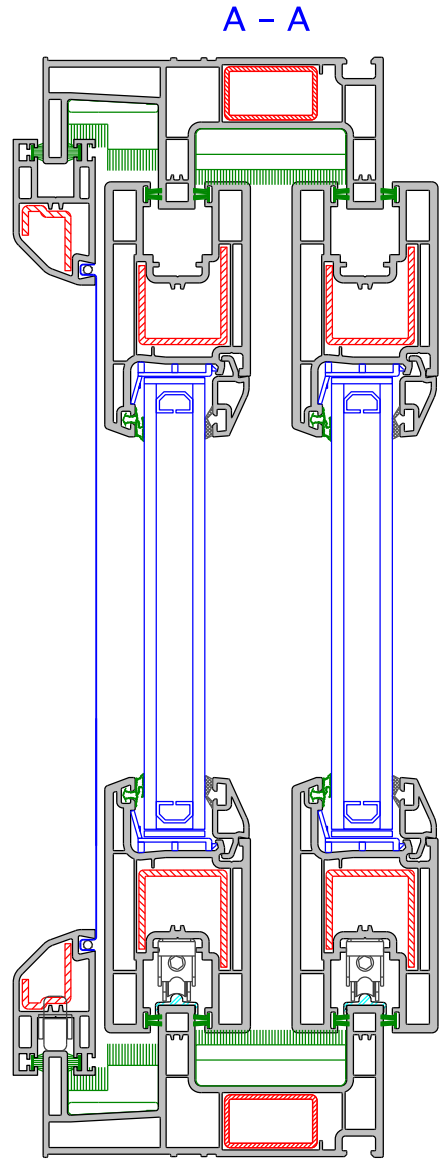


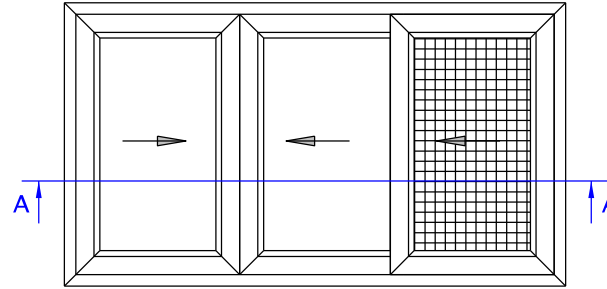
A-A



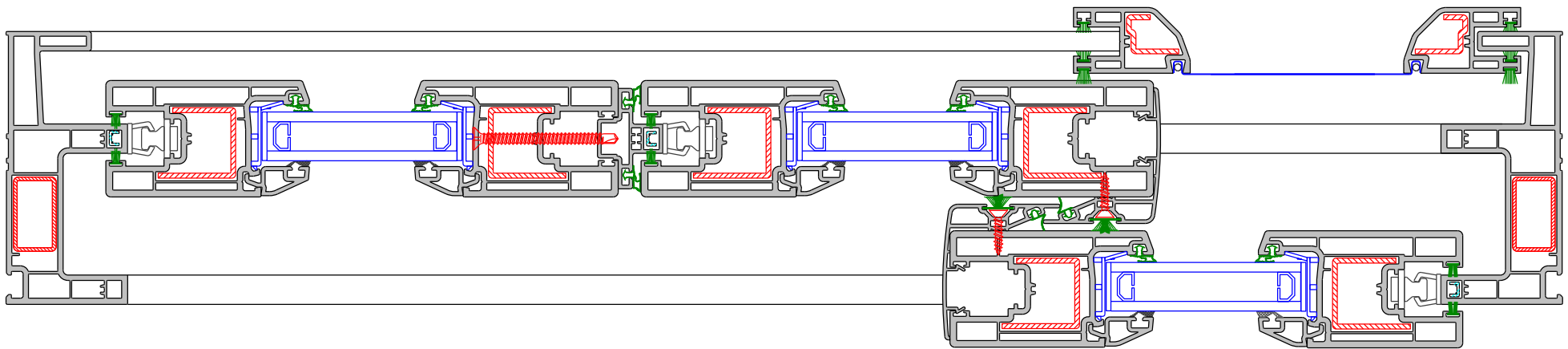


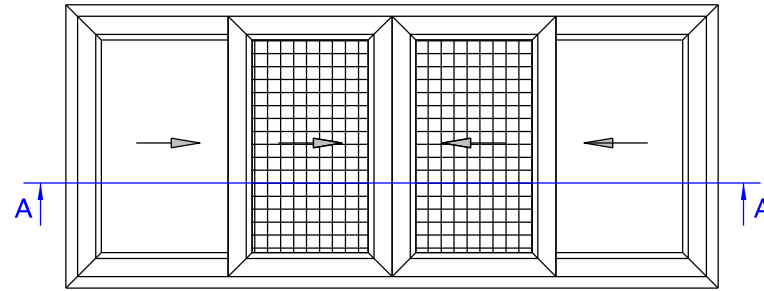




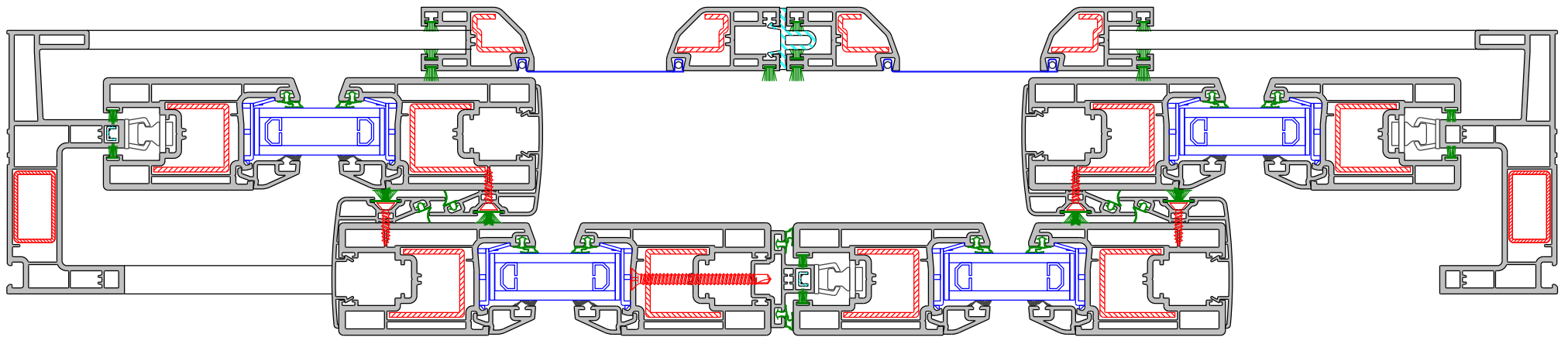


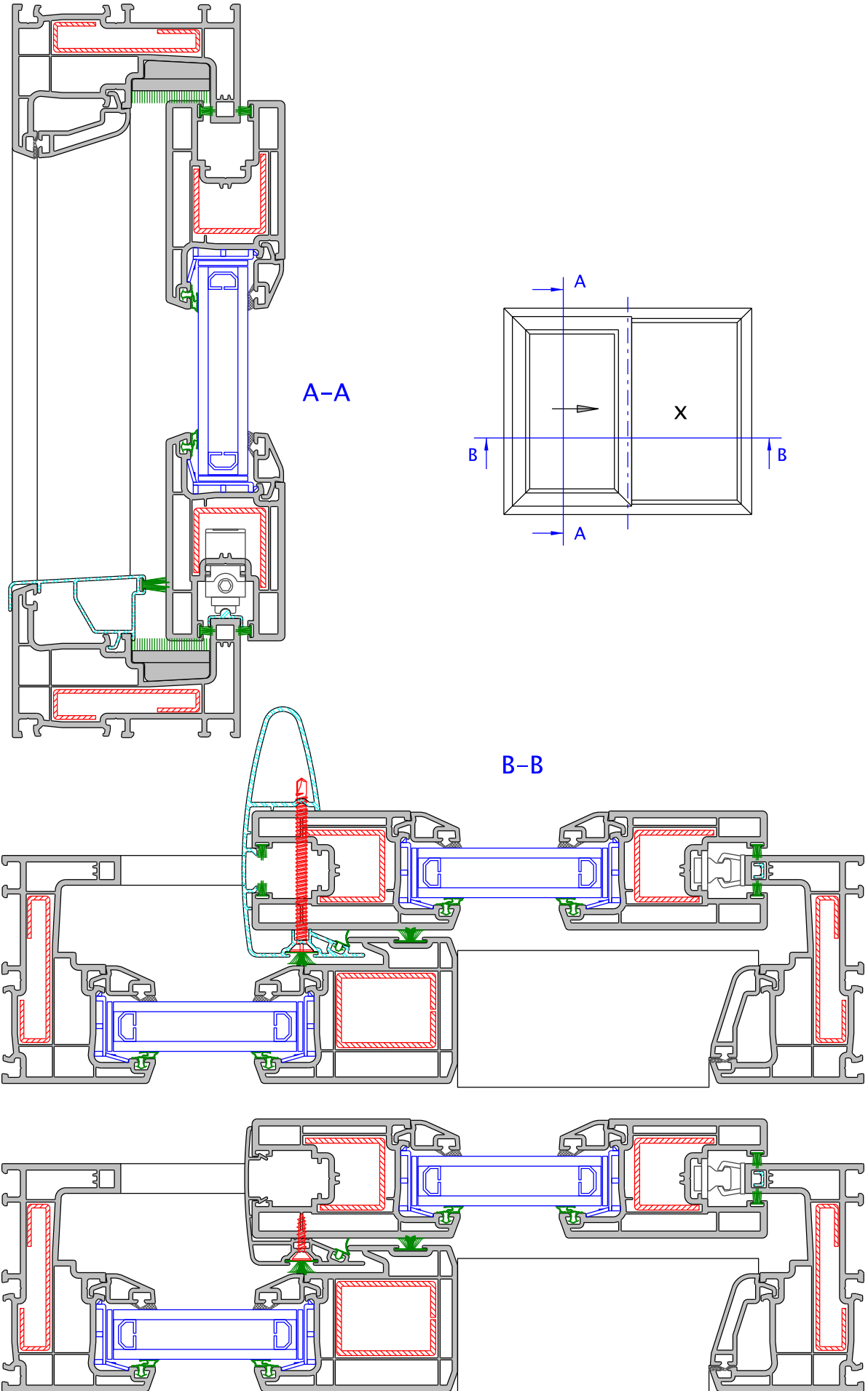
A - A

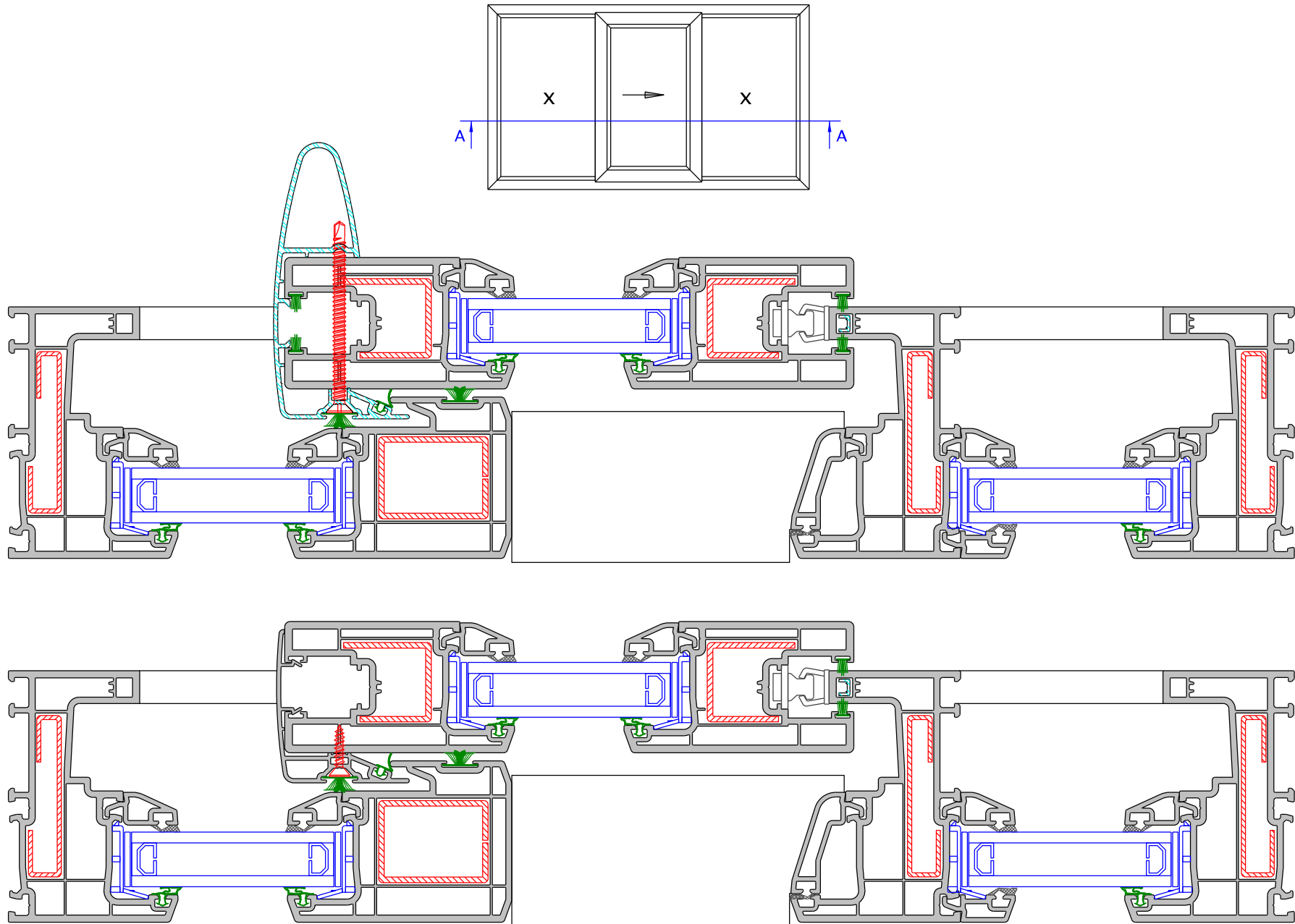


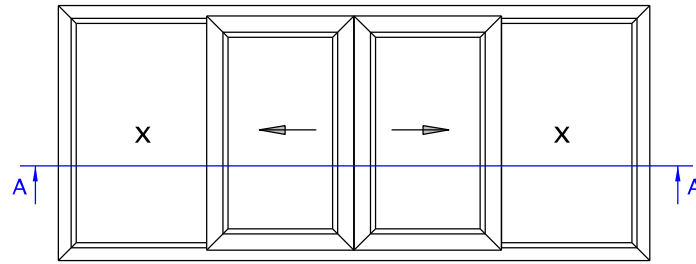


A - A

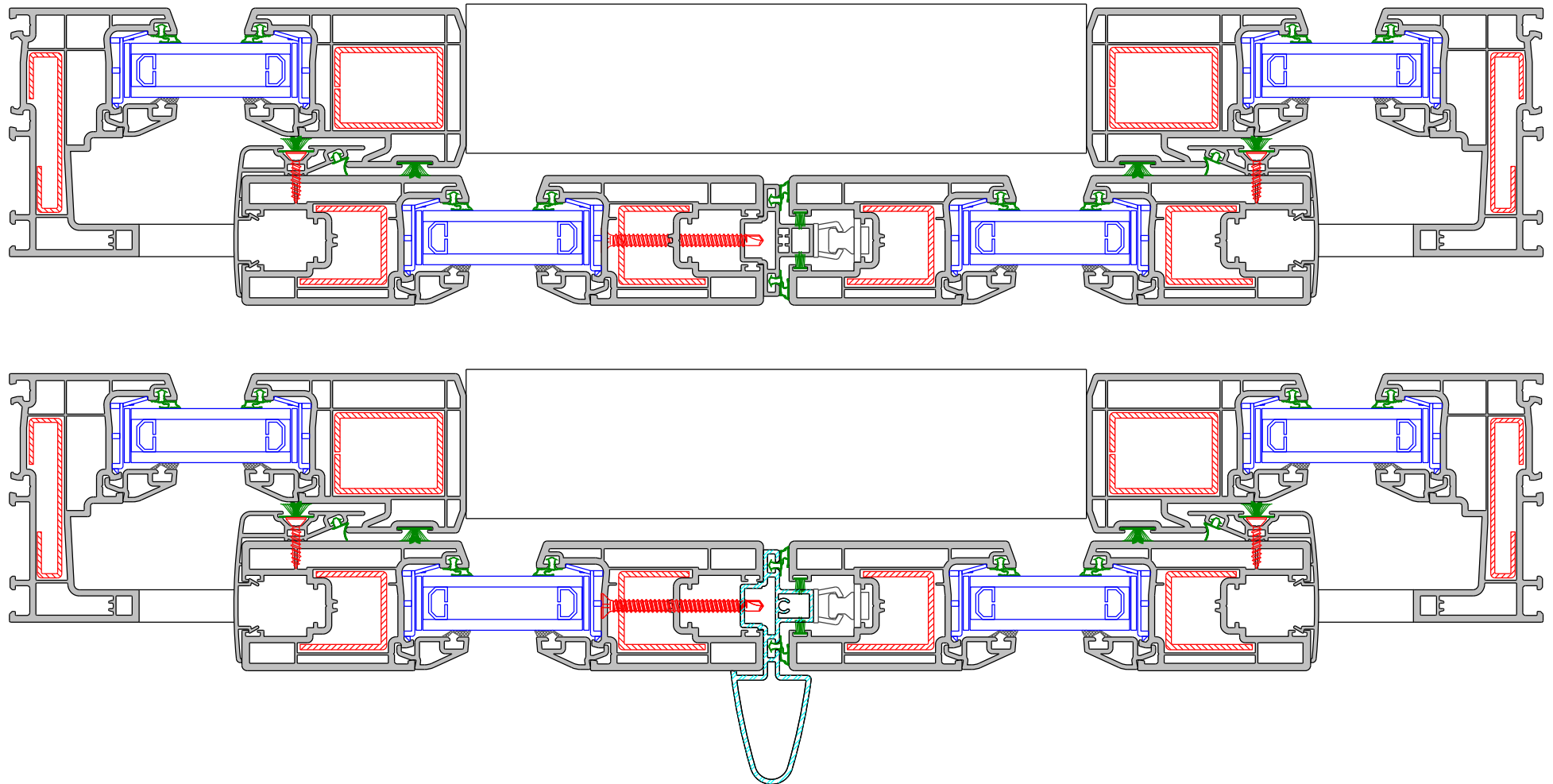


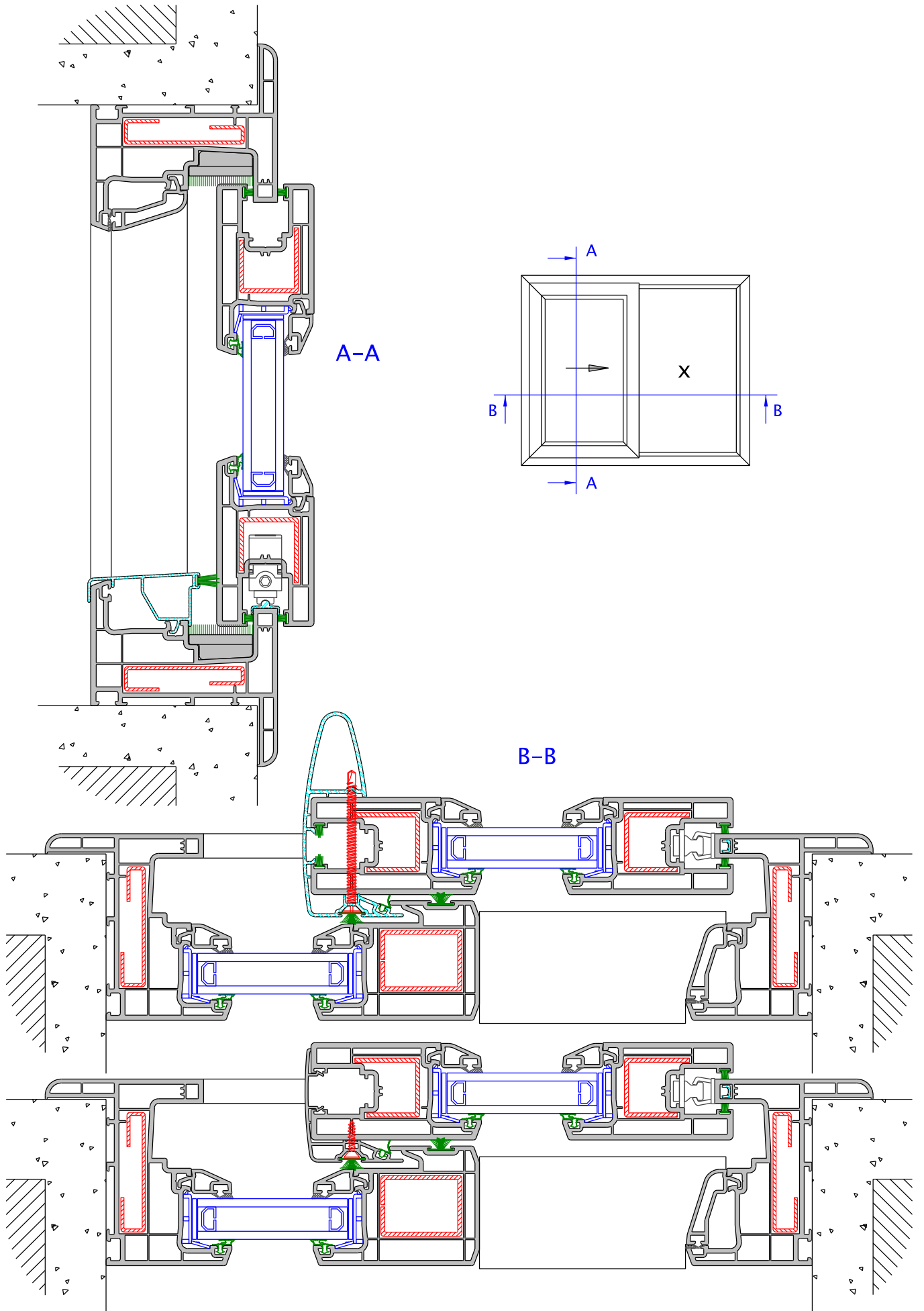


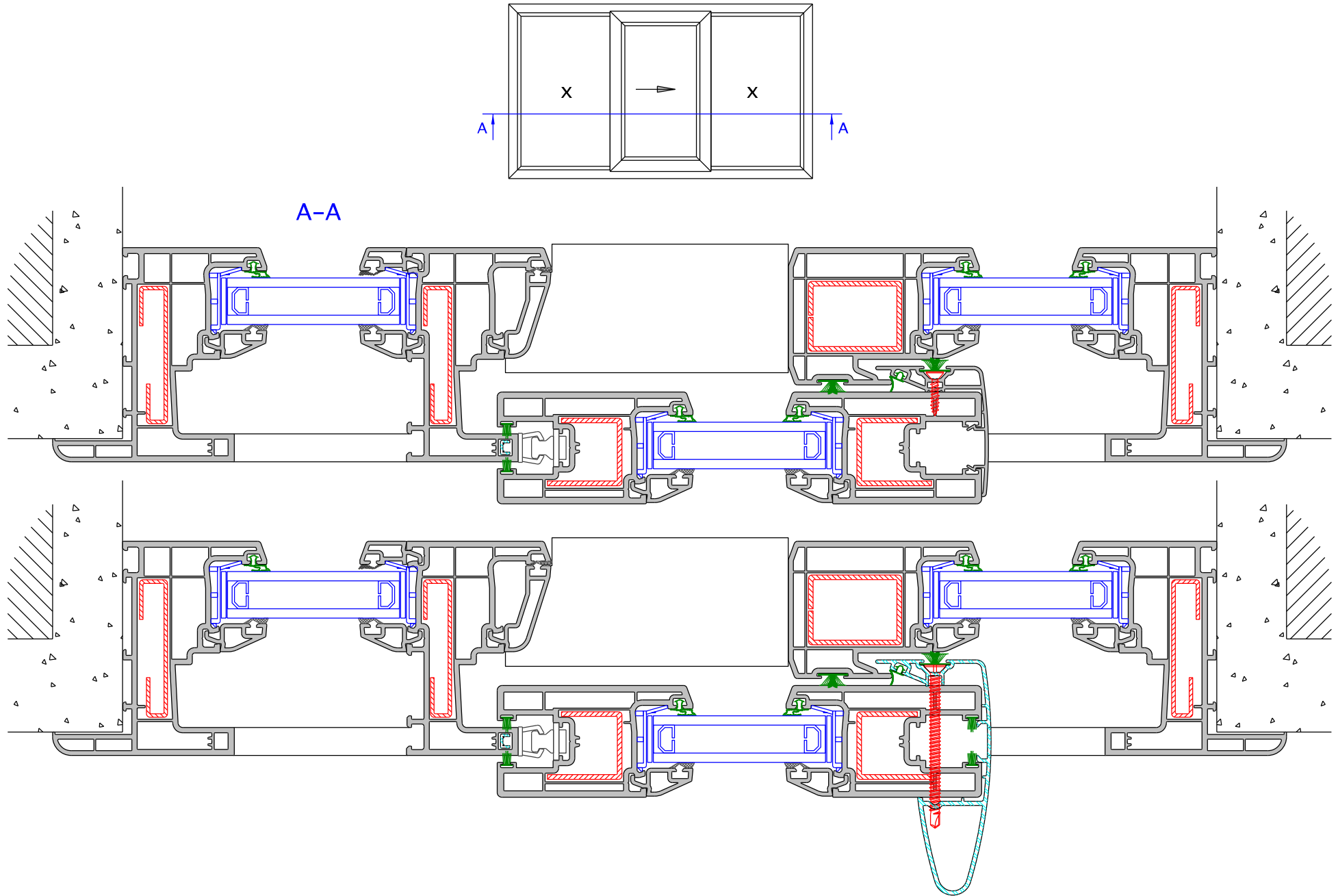


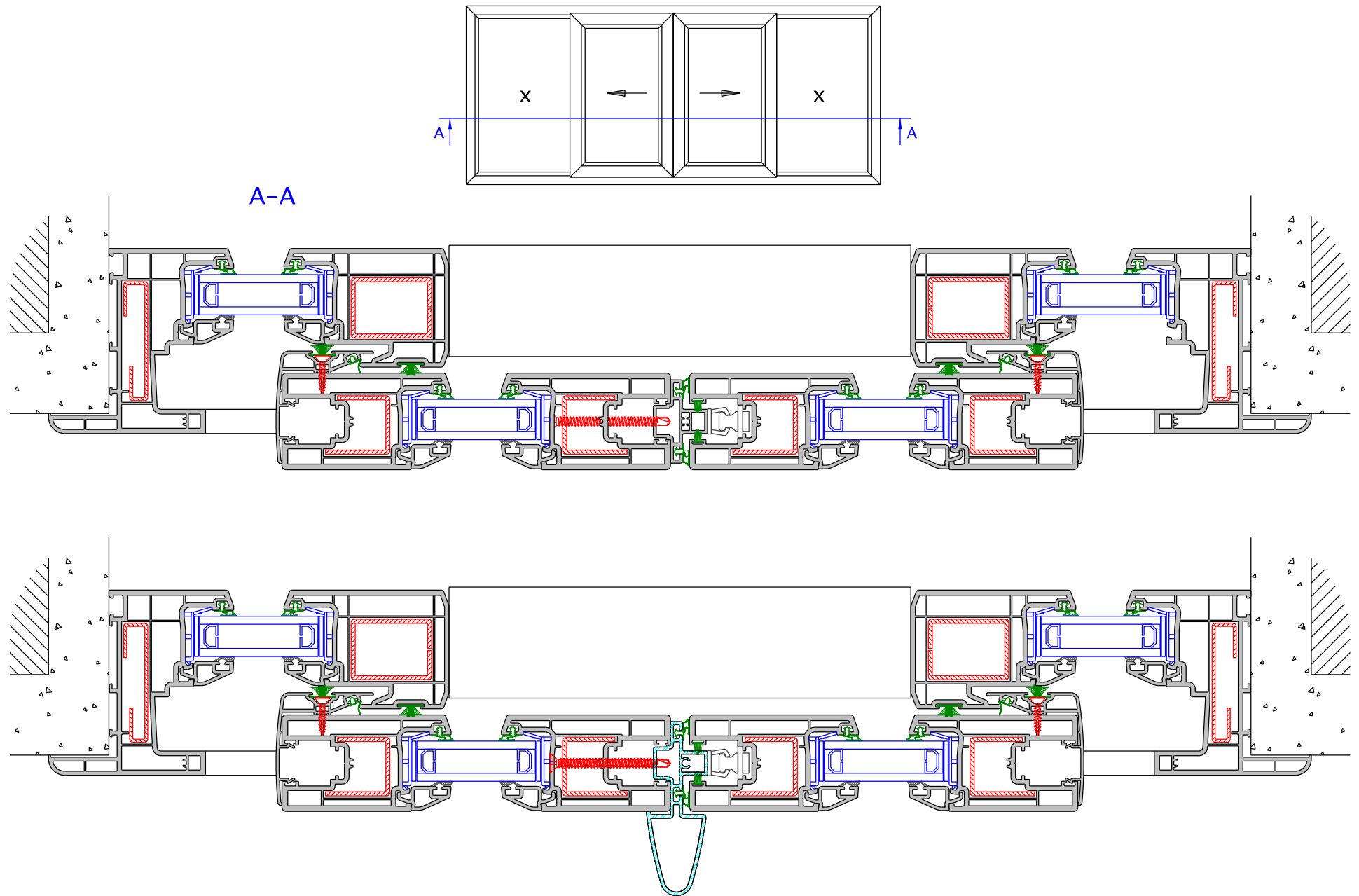


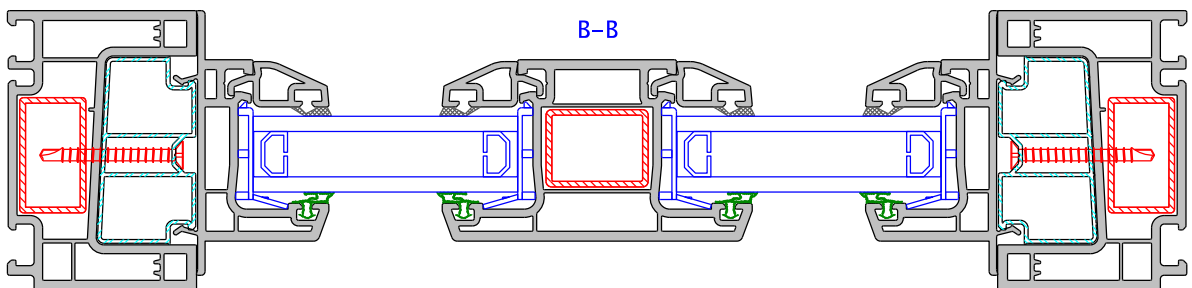
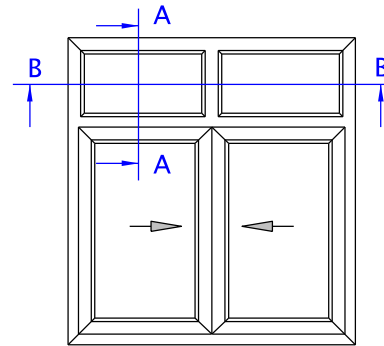
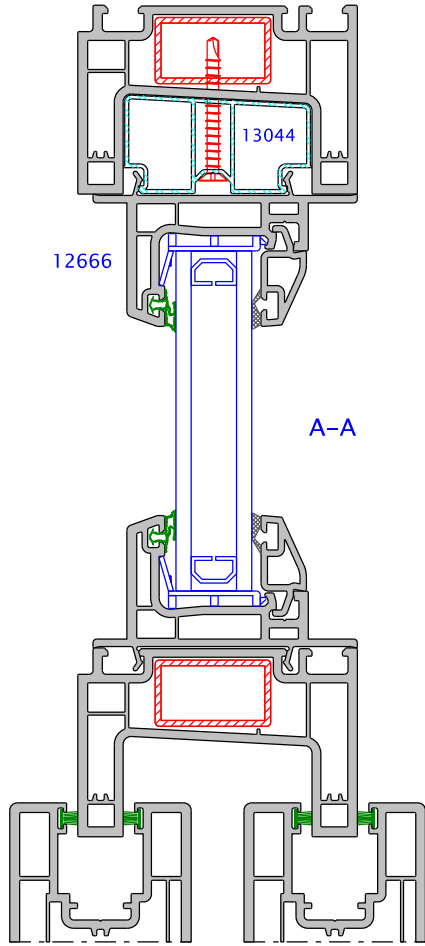
A-A

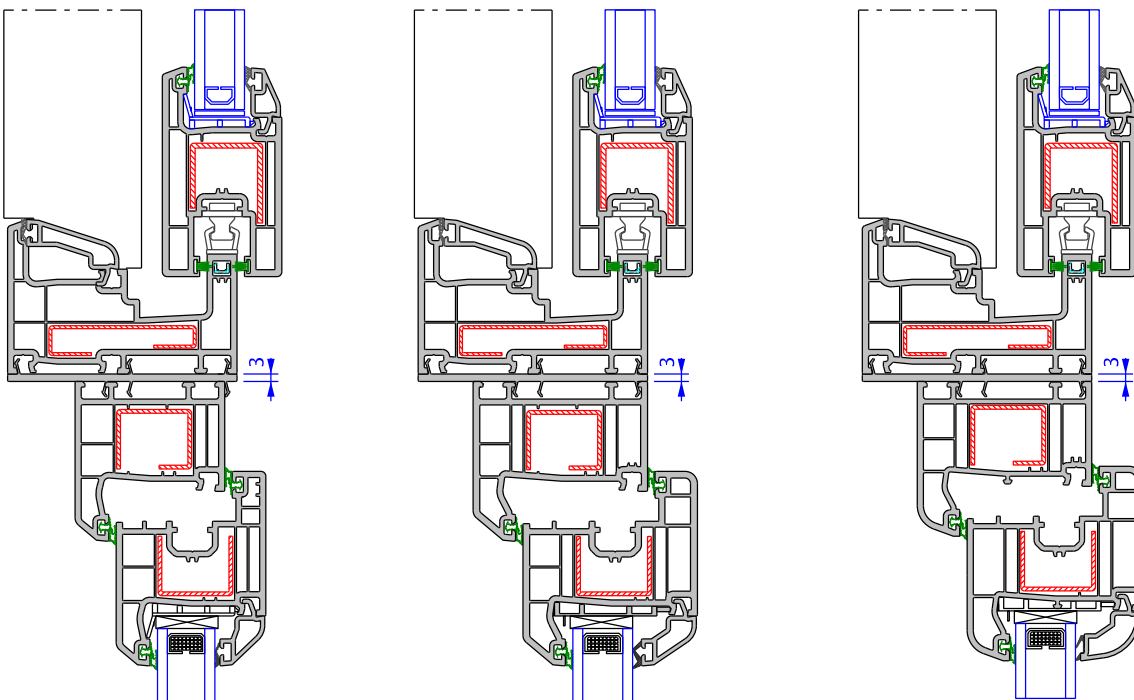
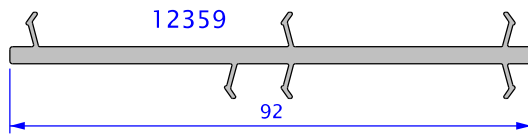
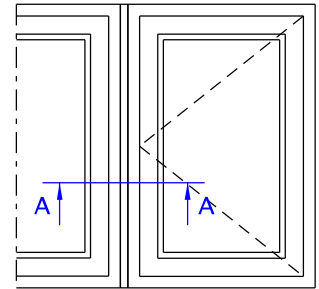
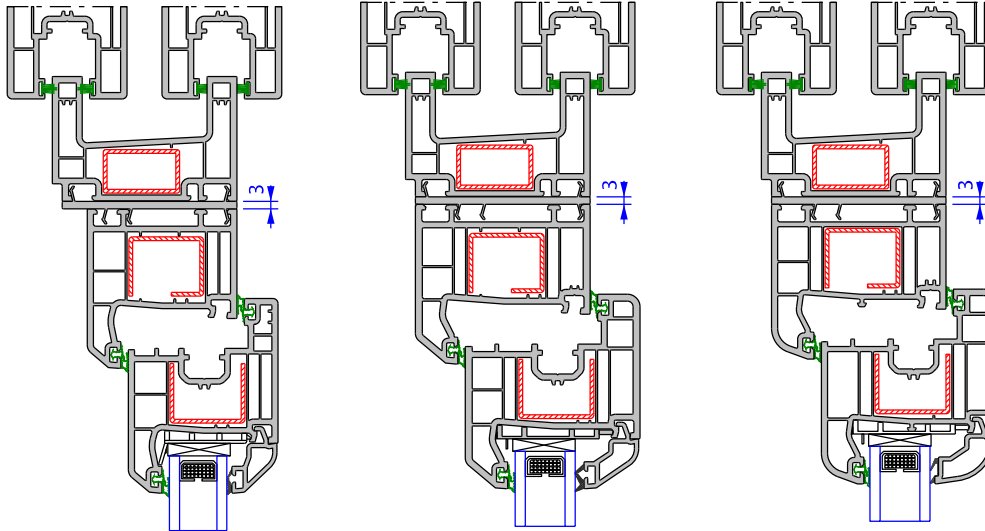
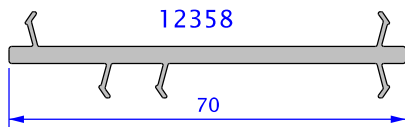


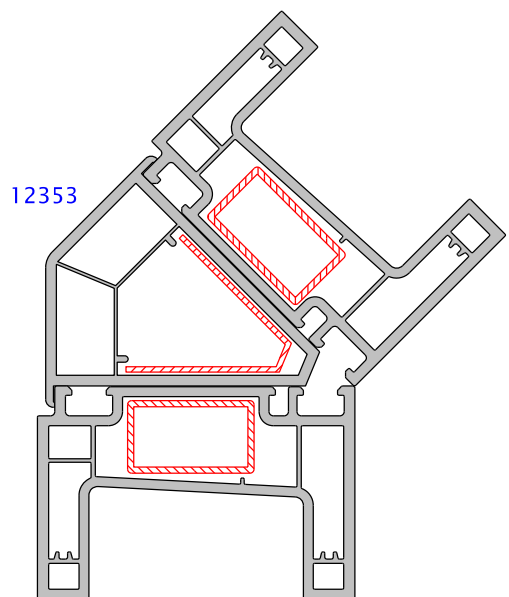
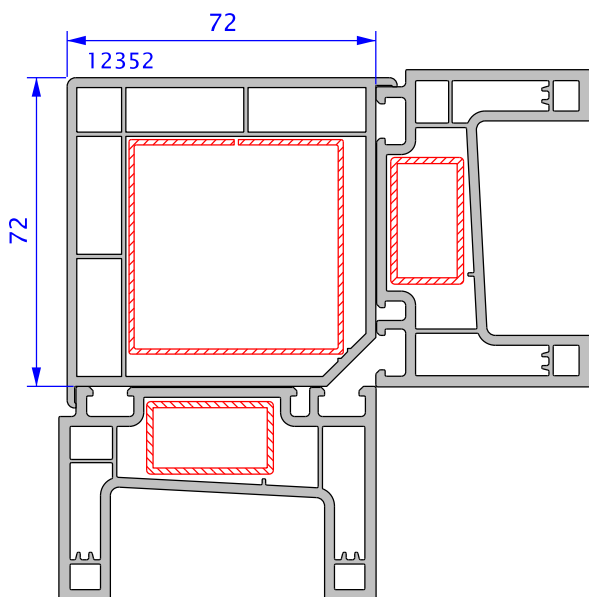
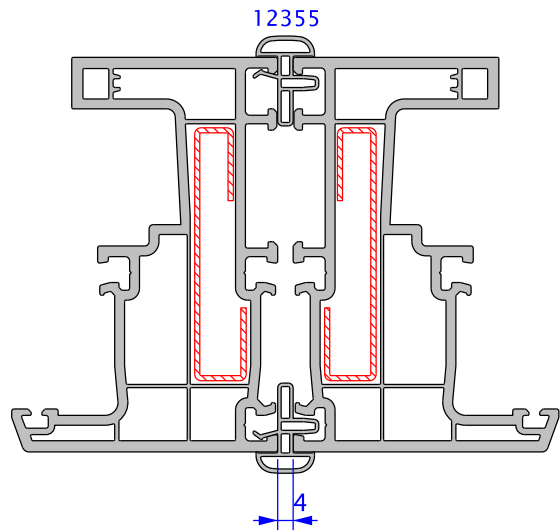
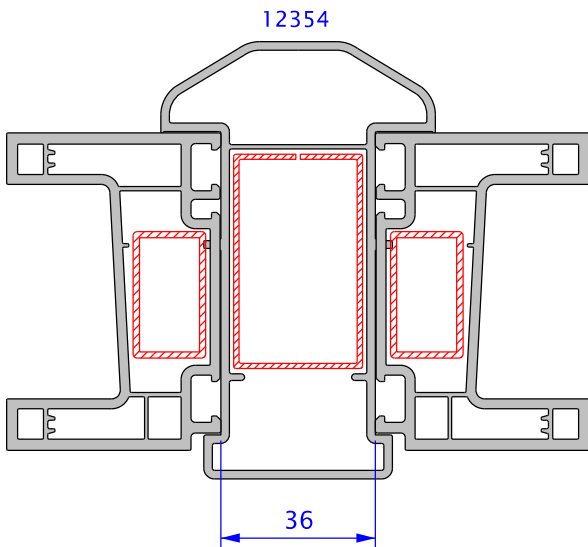
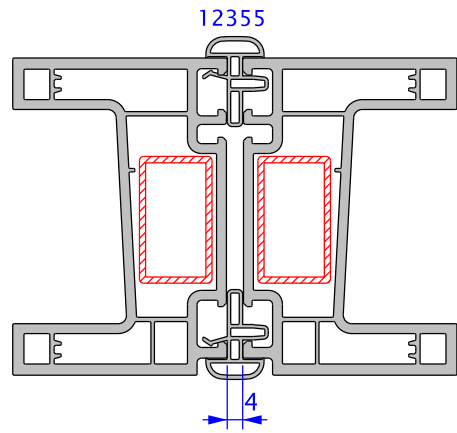
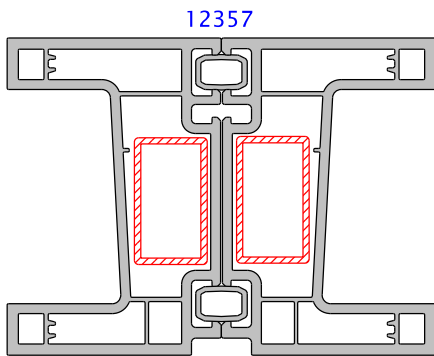


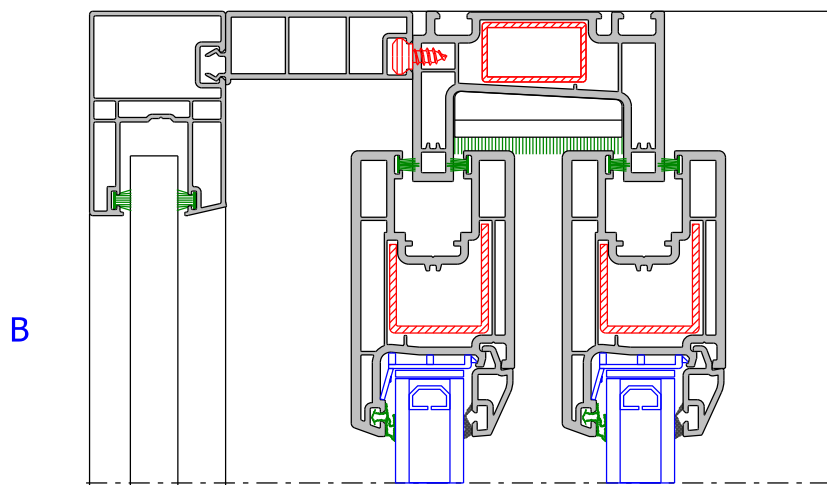
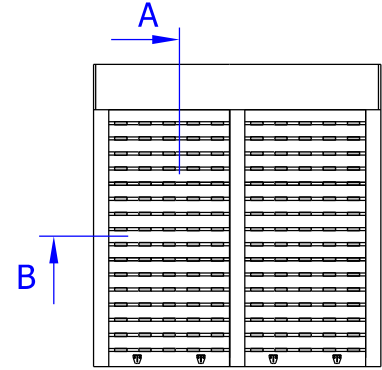
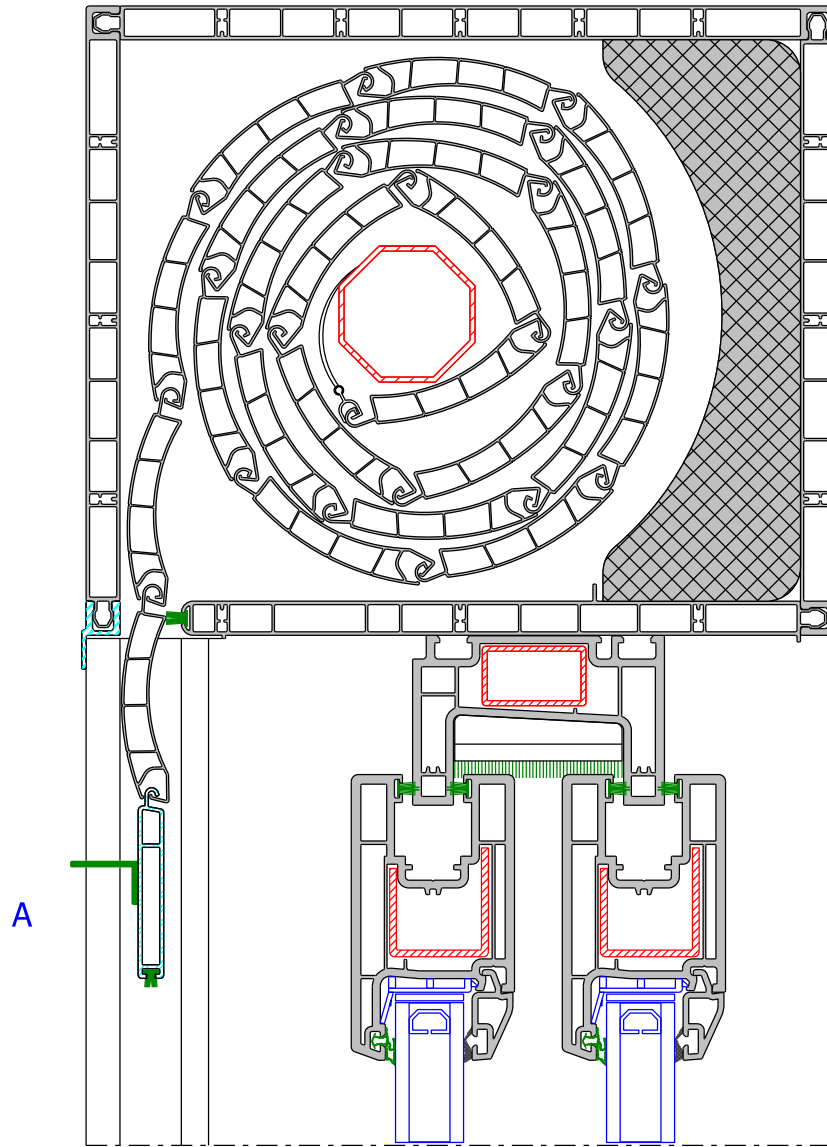


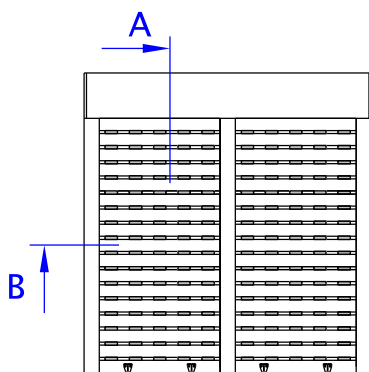




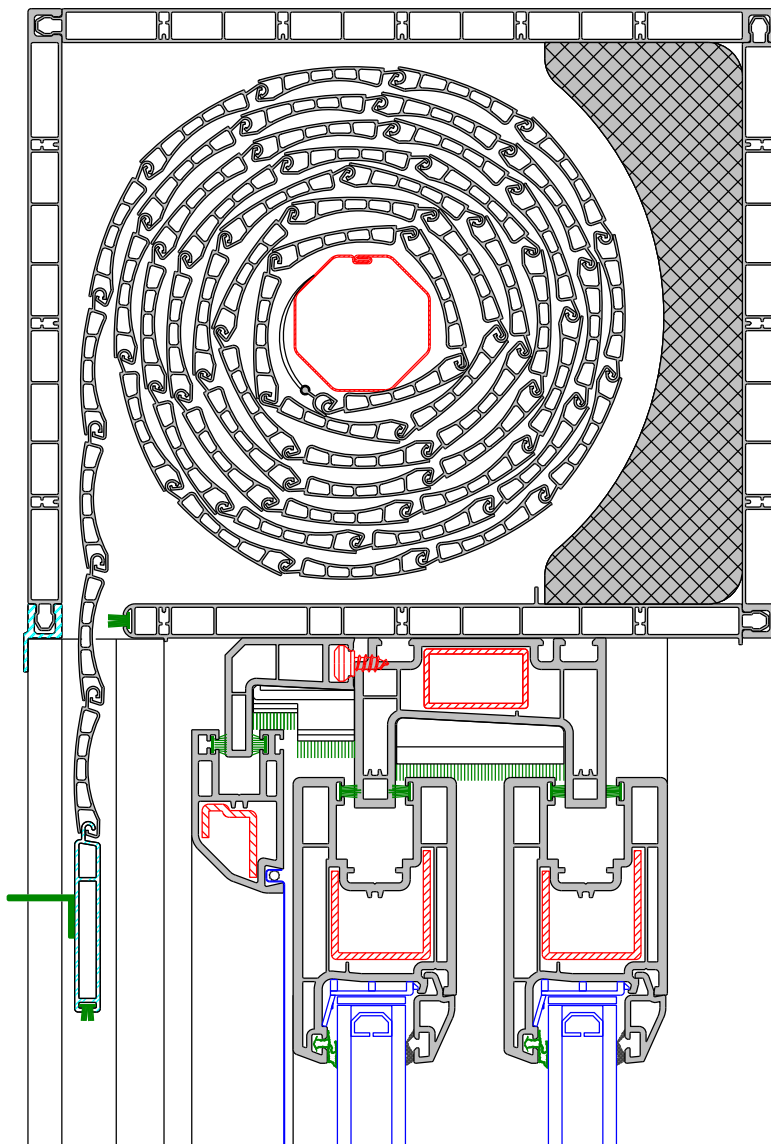




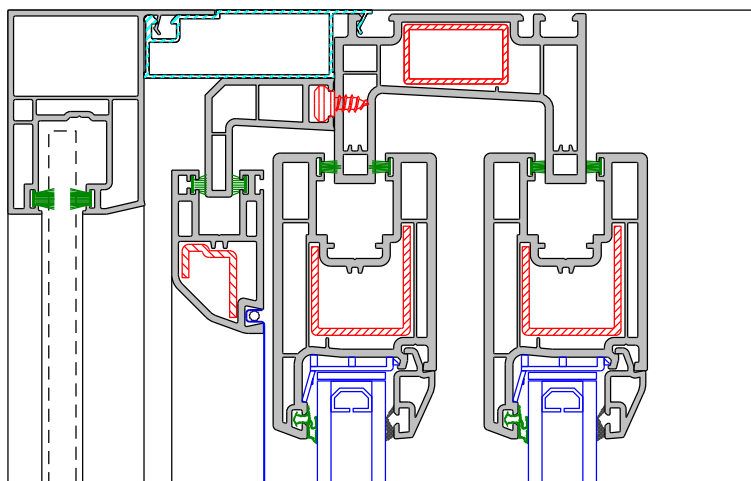


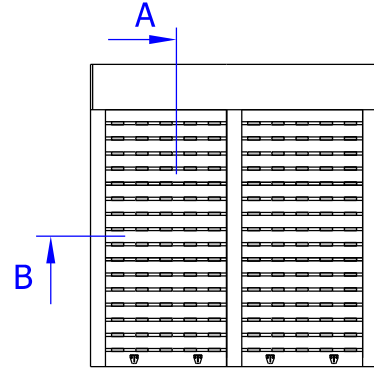
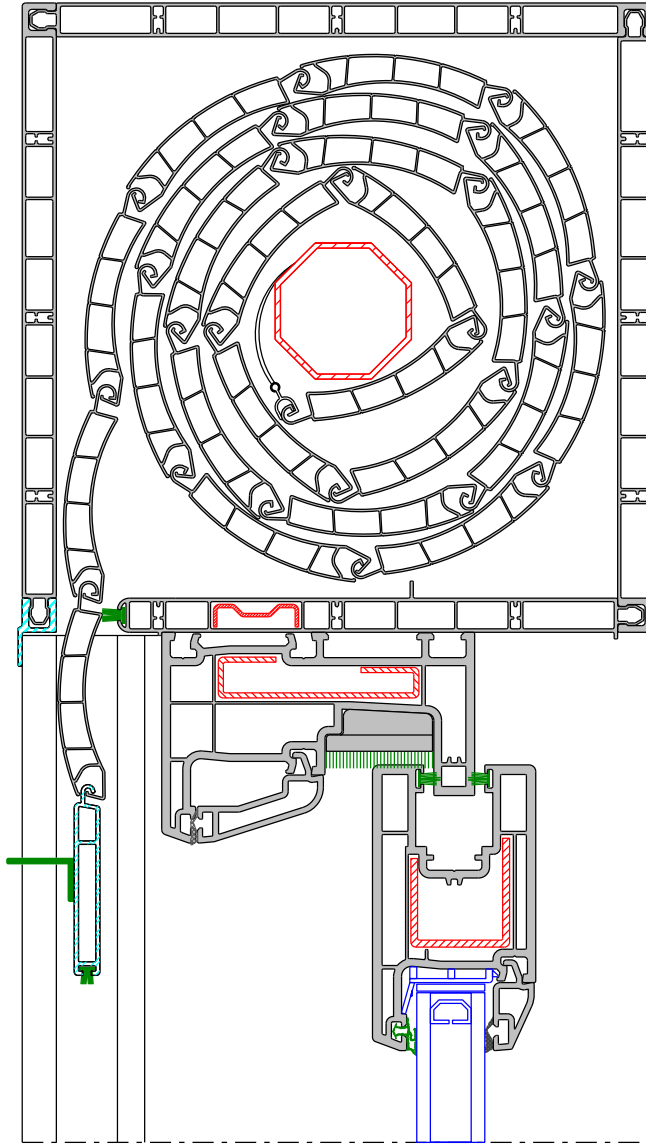


A-KESİTİ



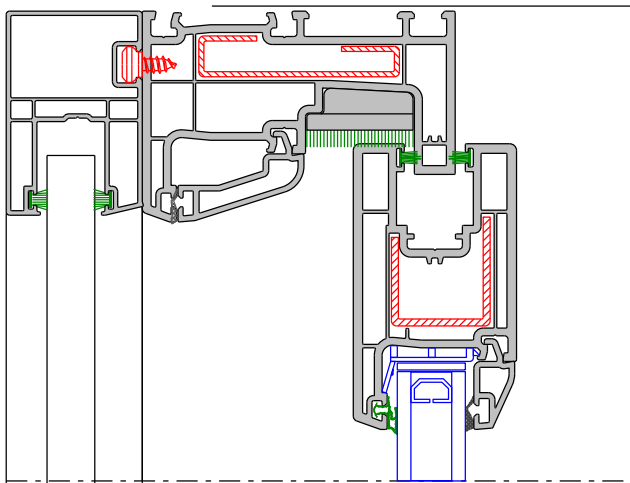
B-KESİTİ

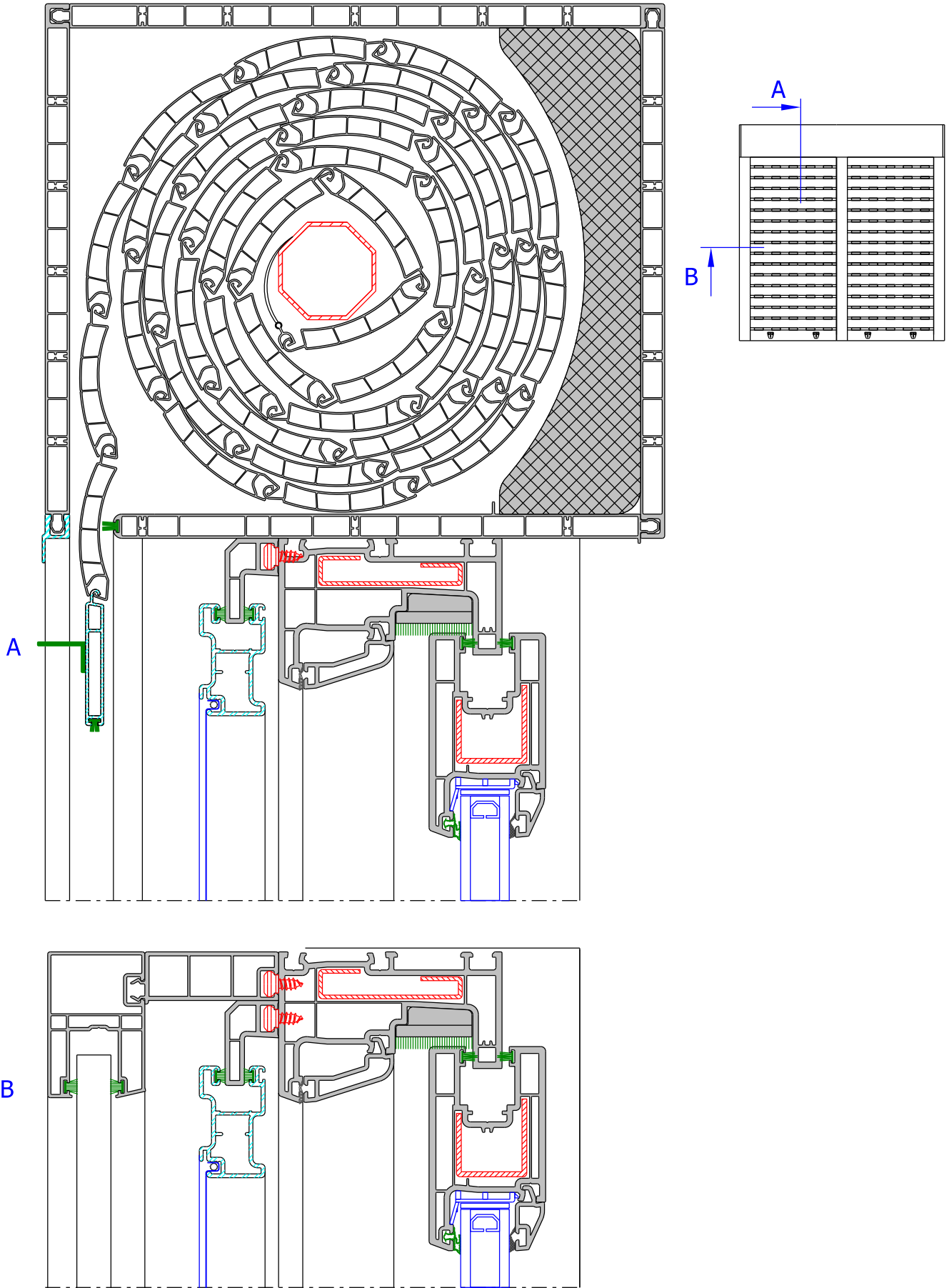


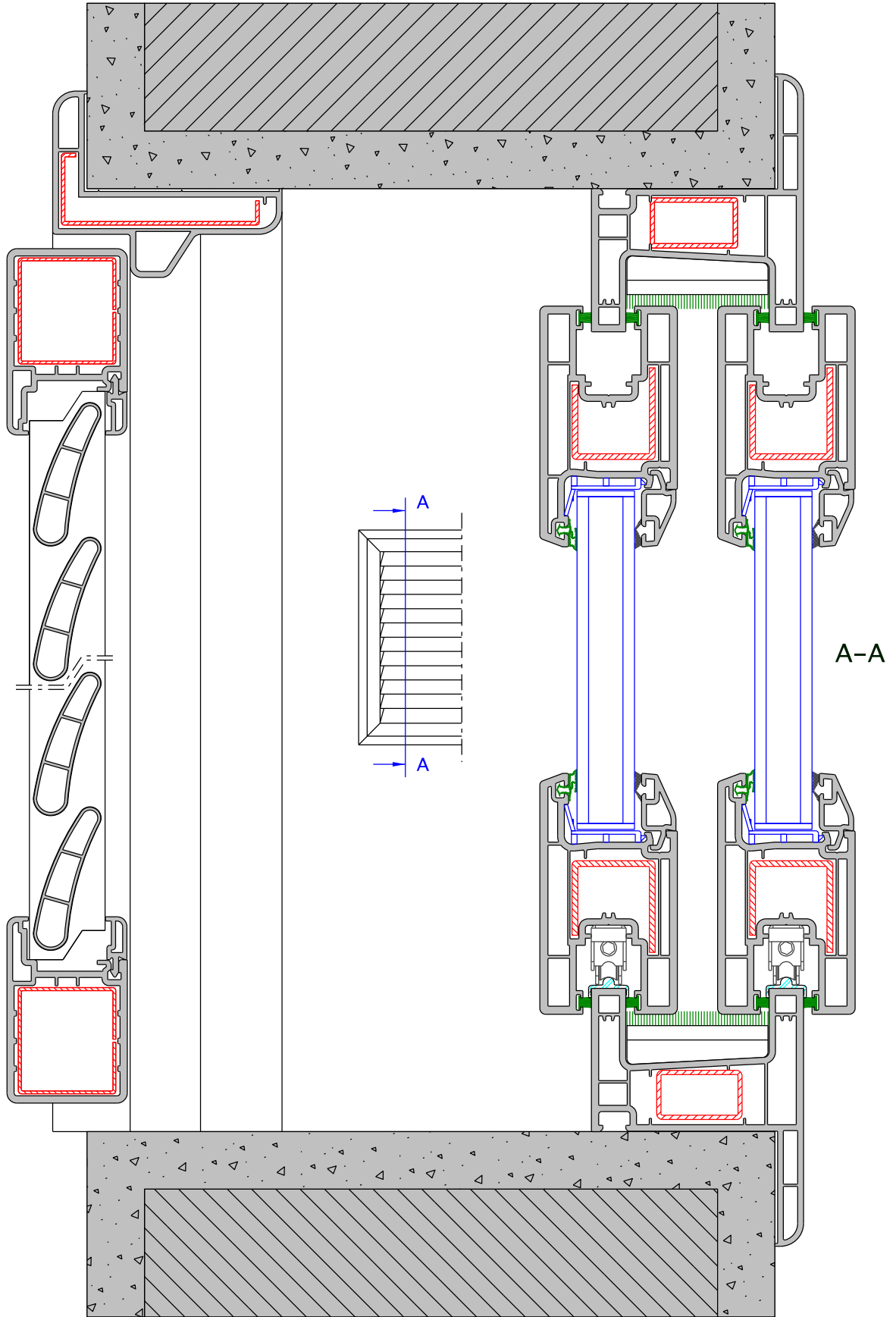


A

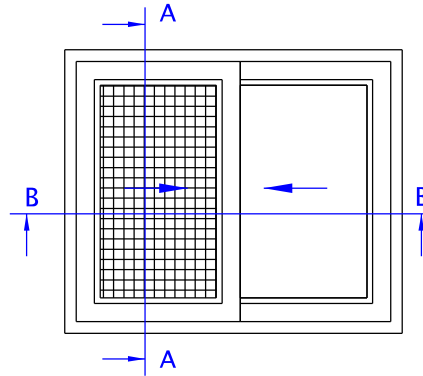
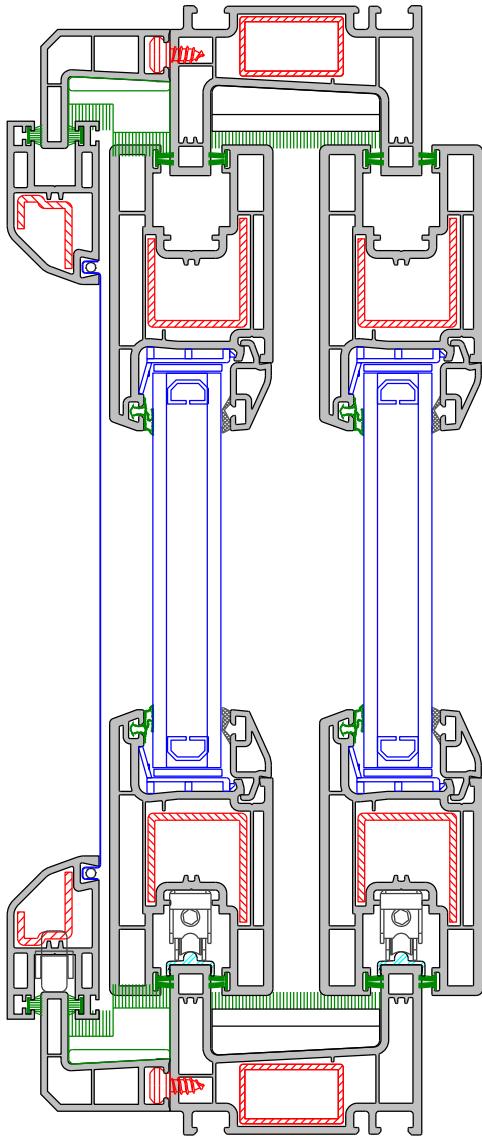
B



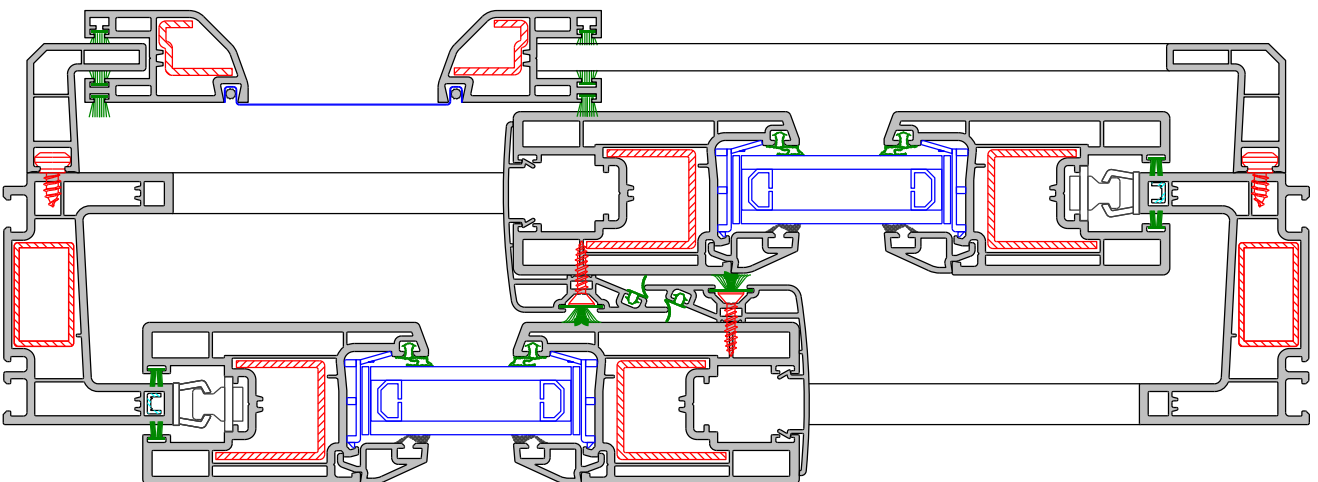




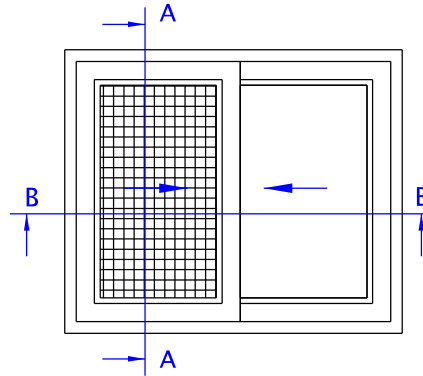
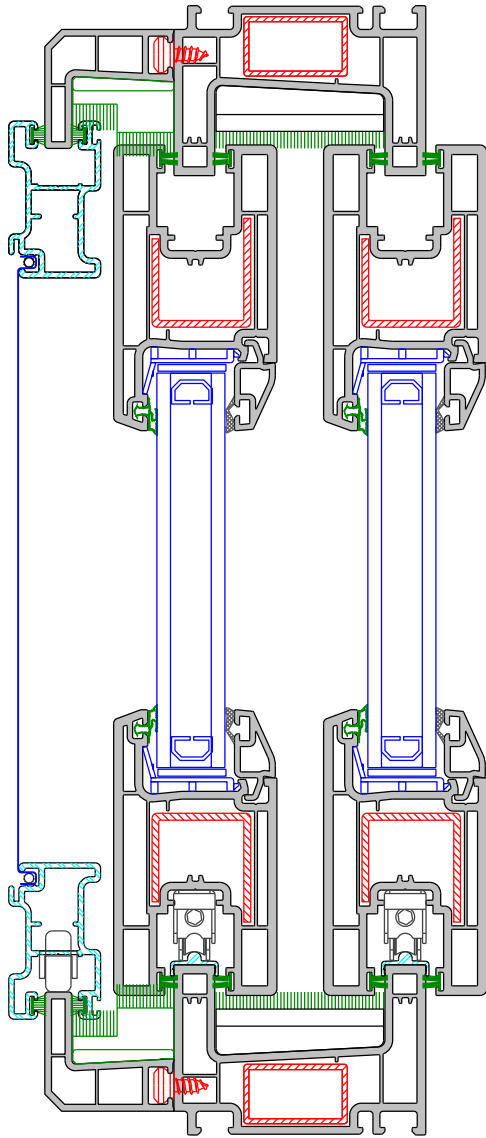
A-A



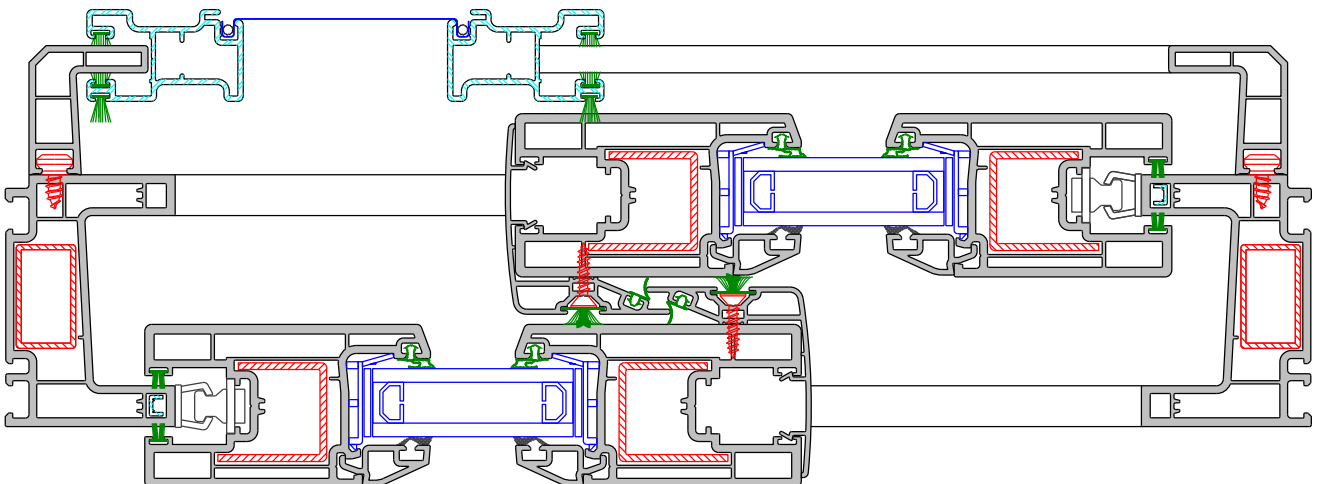
B-B

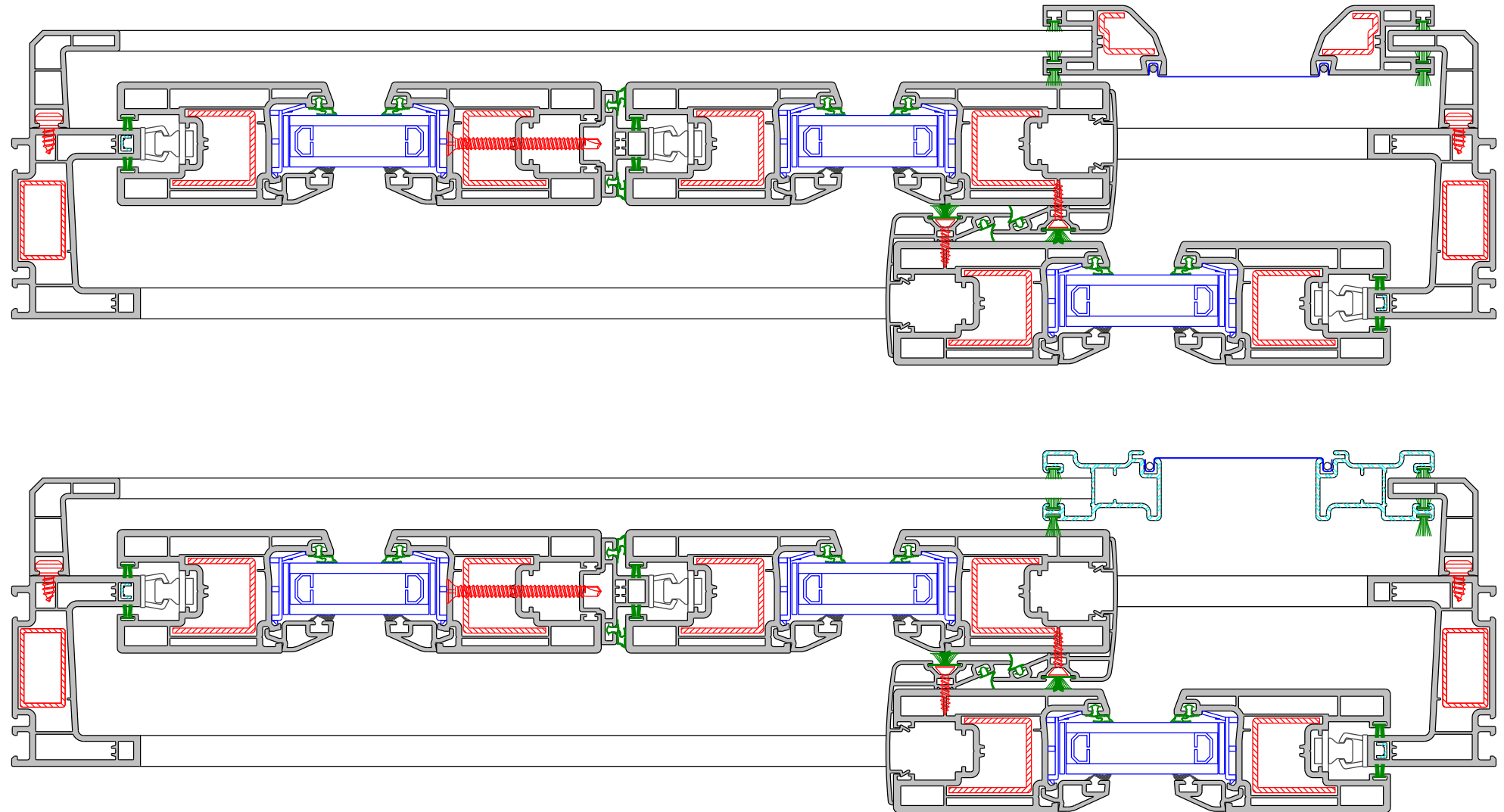
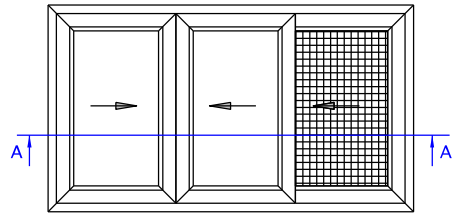


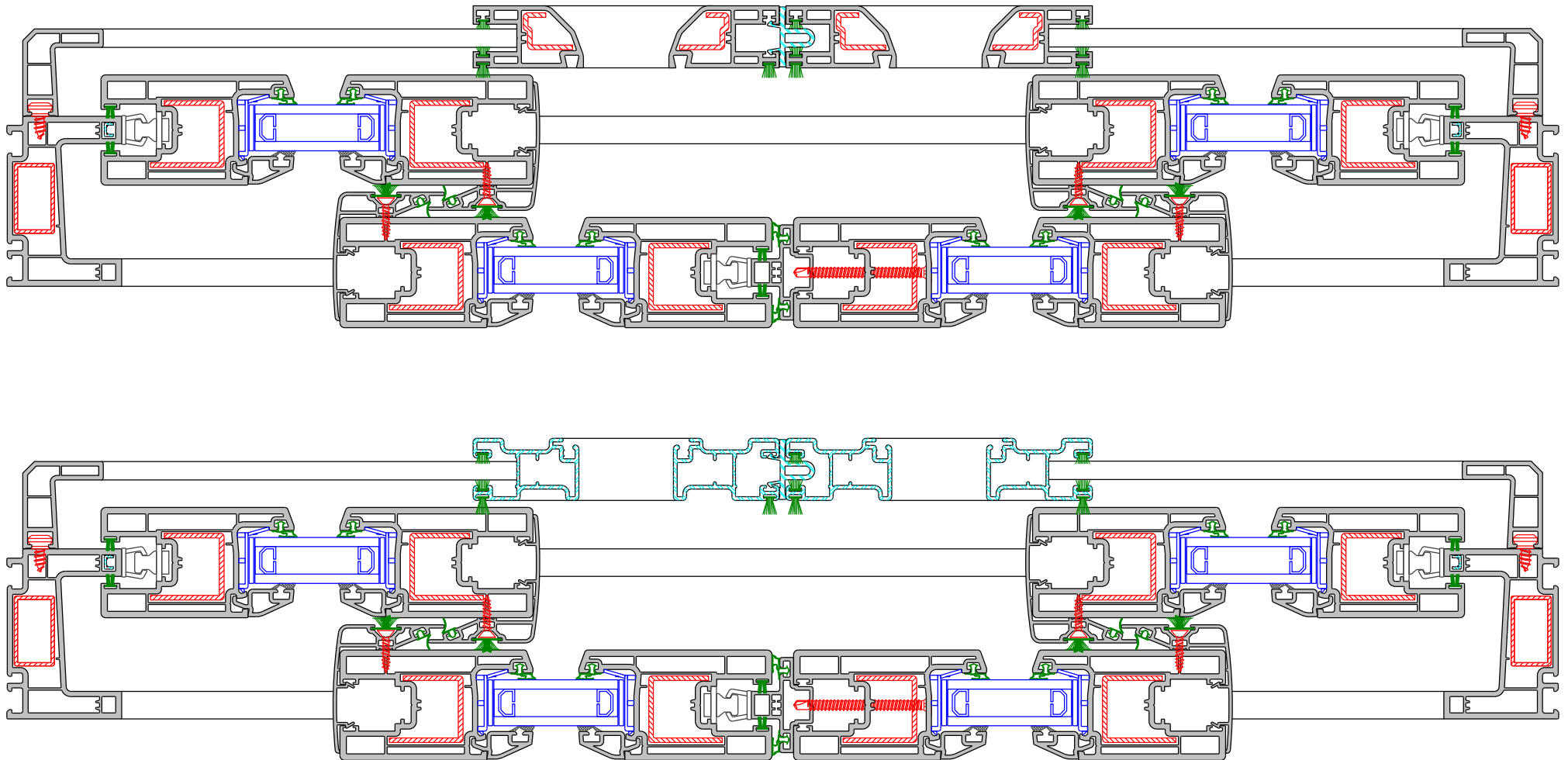
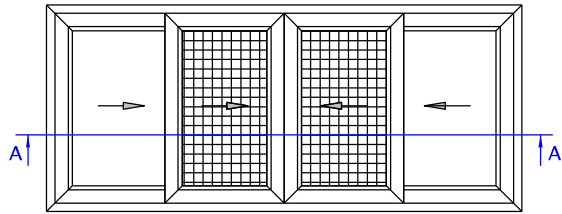
A-A



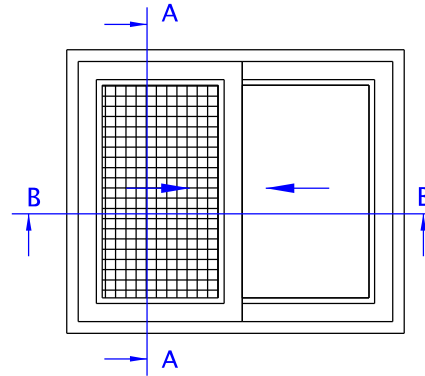
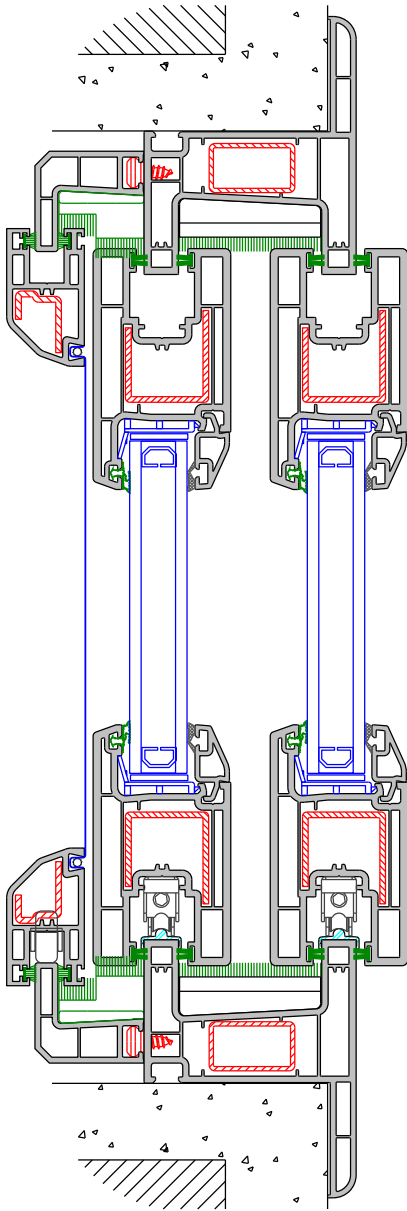
B-B



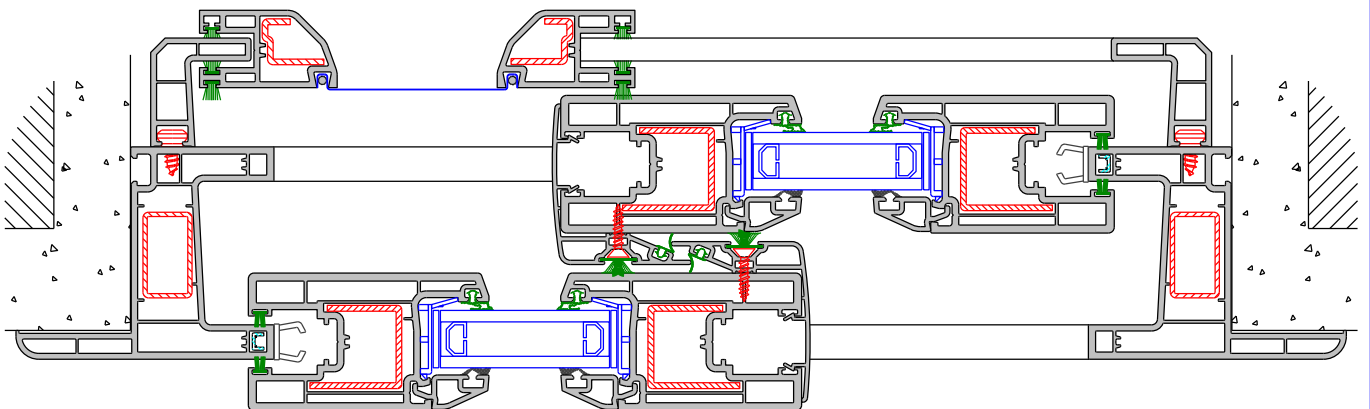




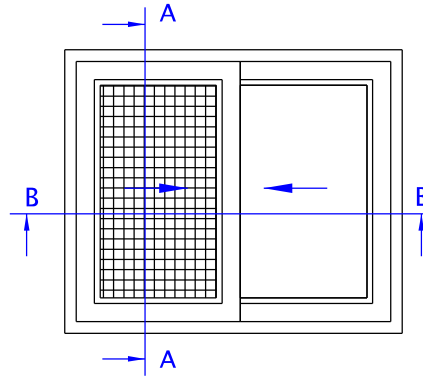
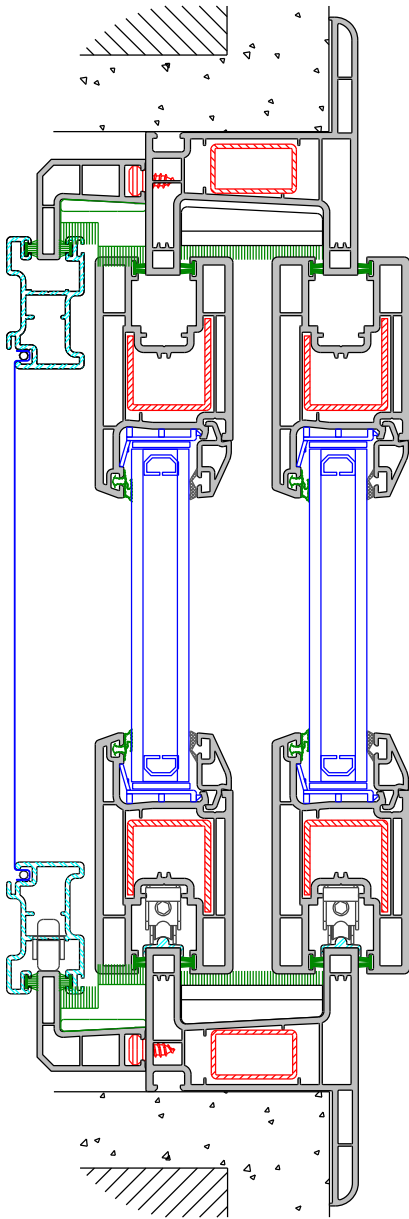
A-A



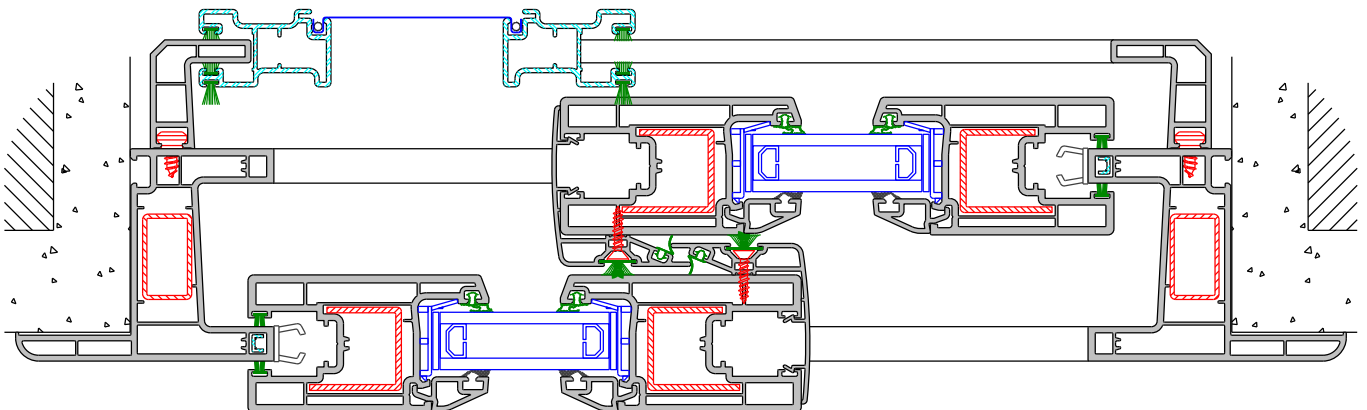
B-B

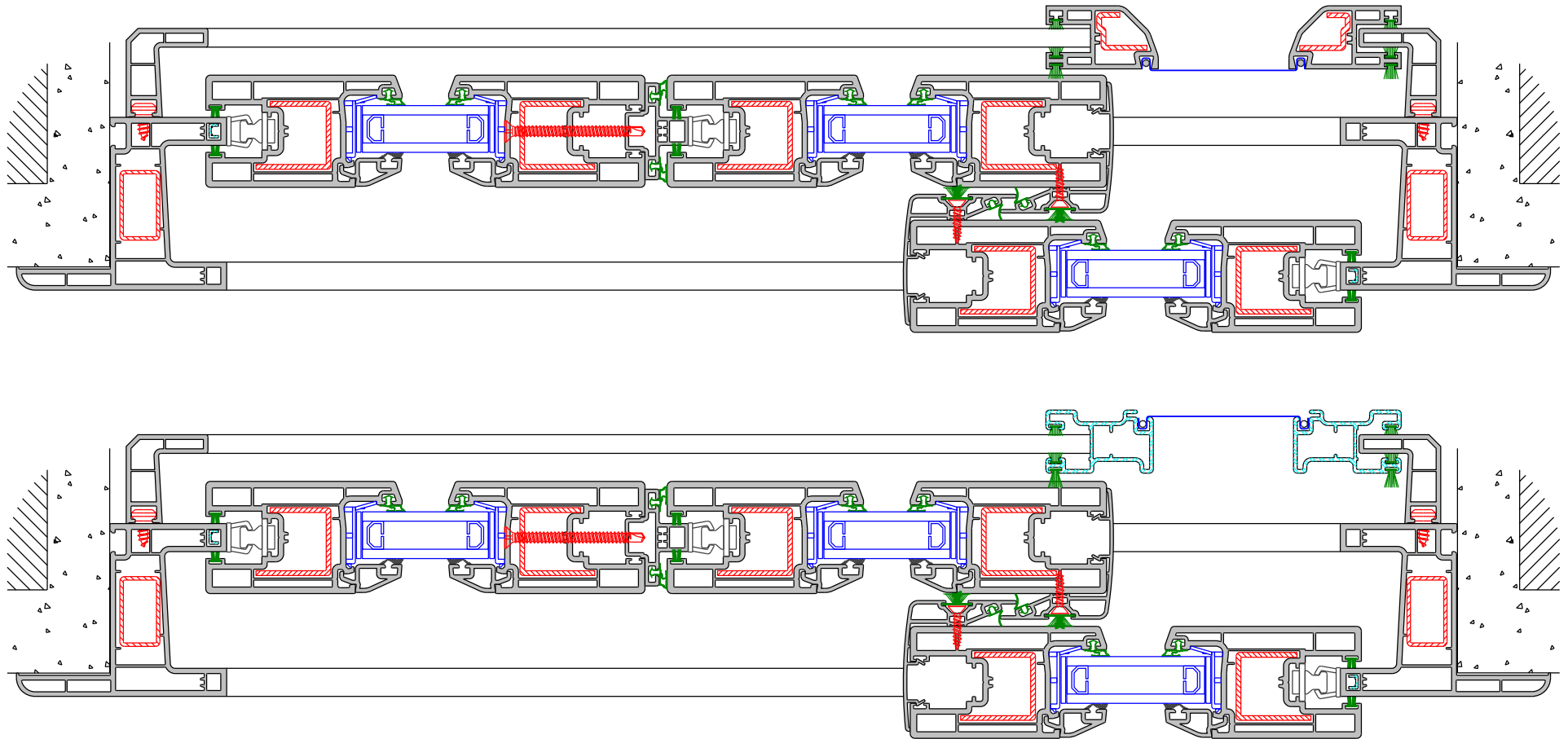
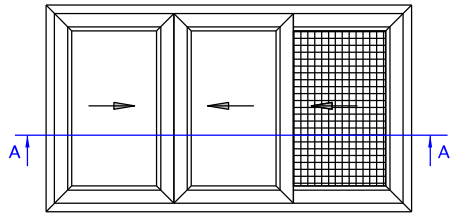


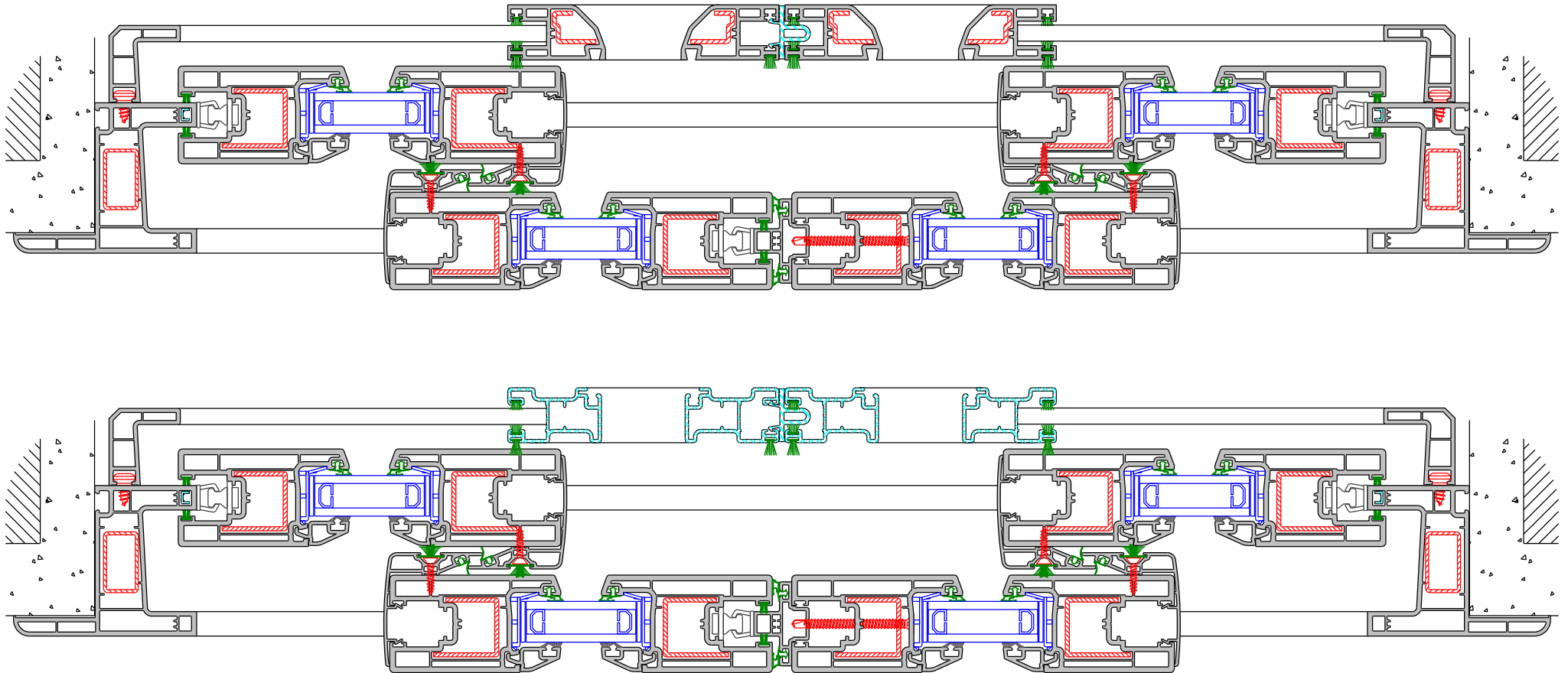
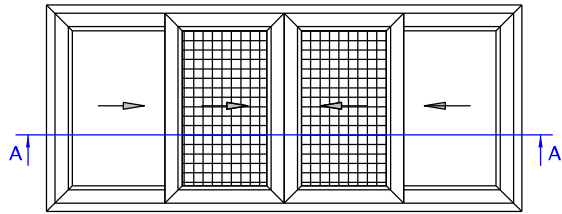
A-A



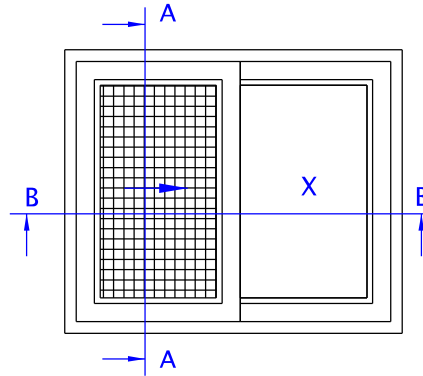
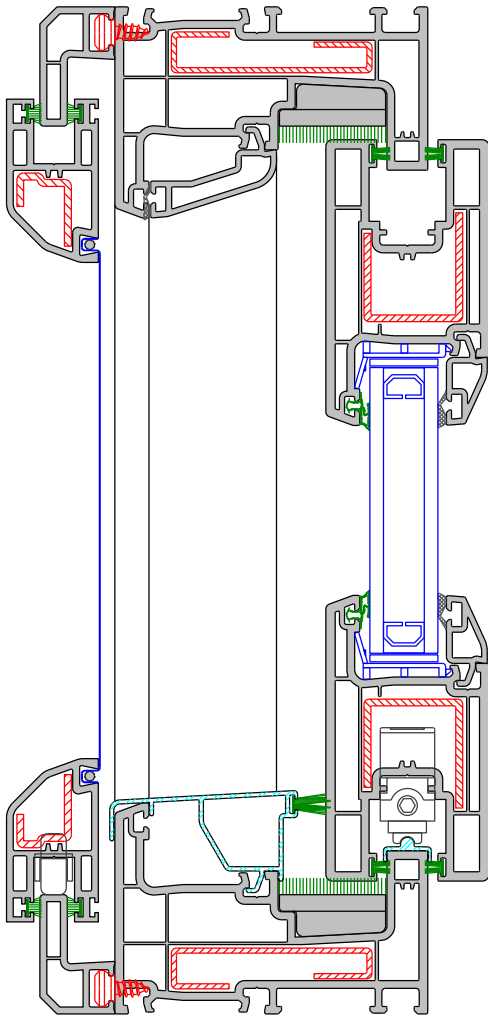
B-B



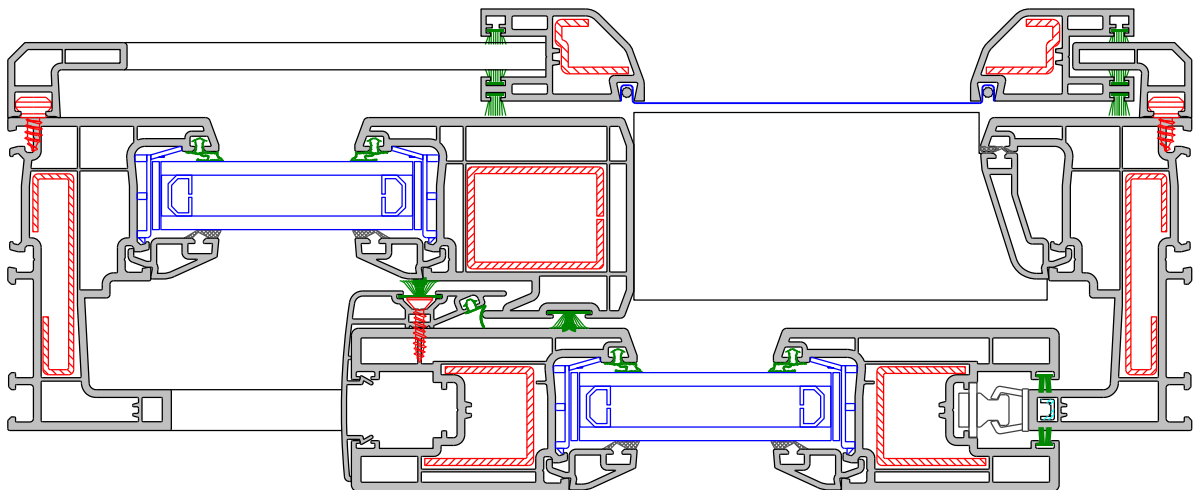




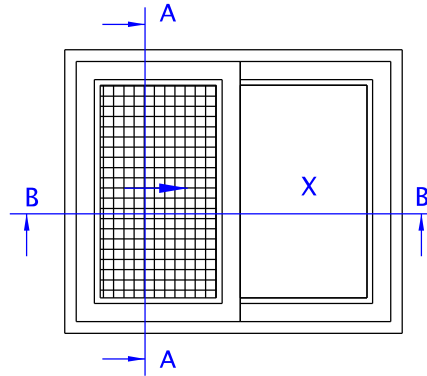
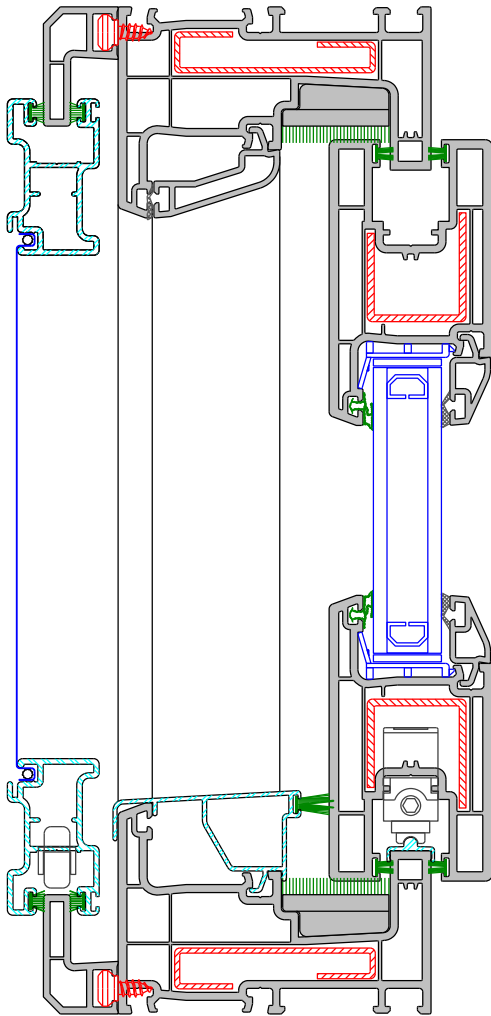
A-A



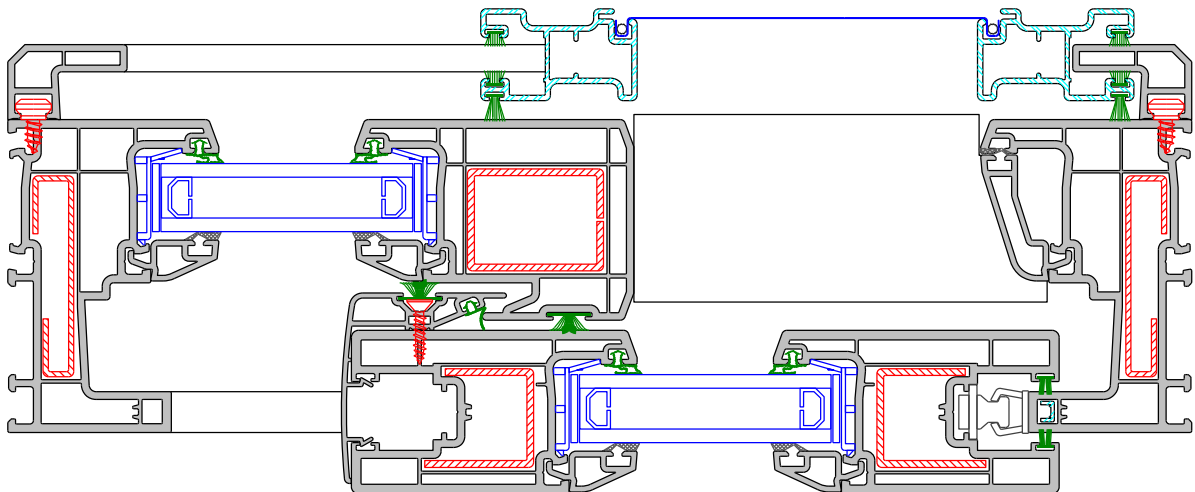
B-B

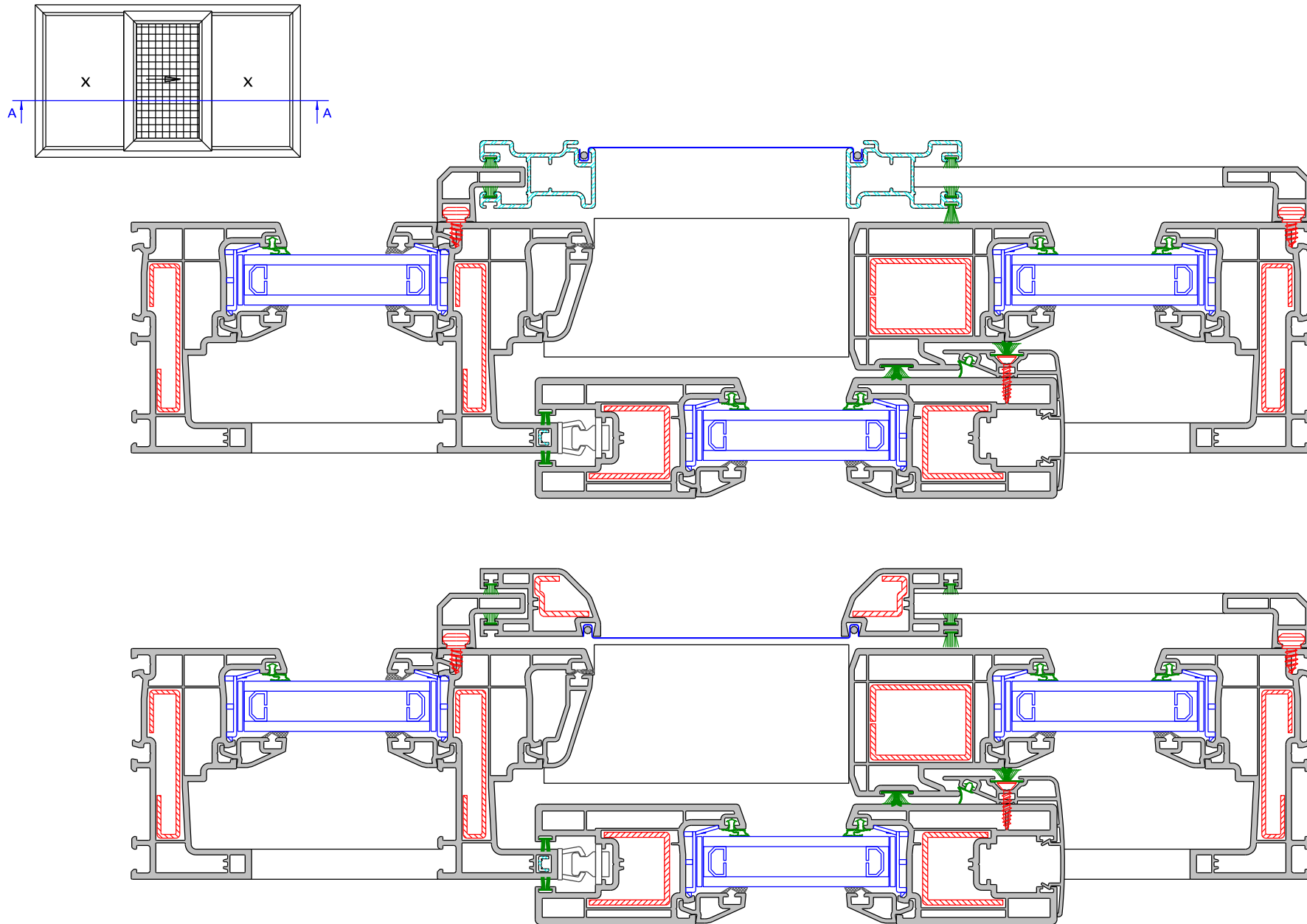


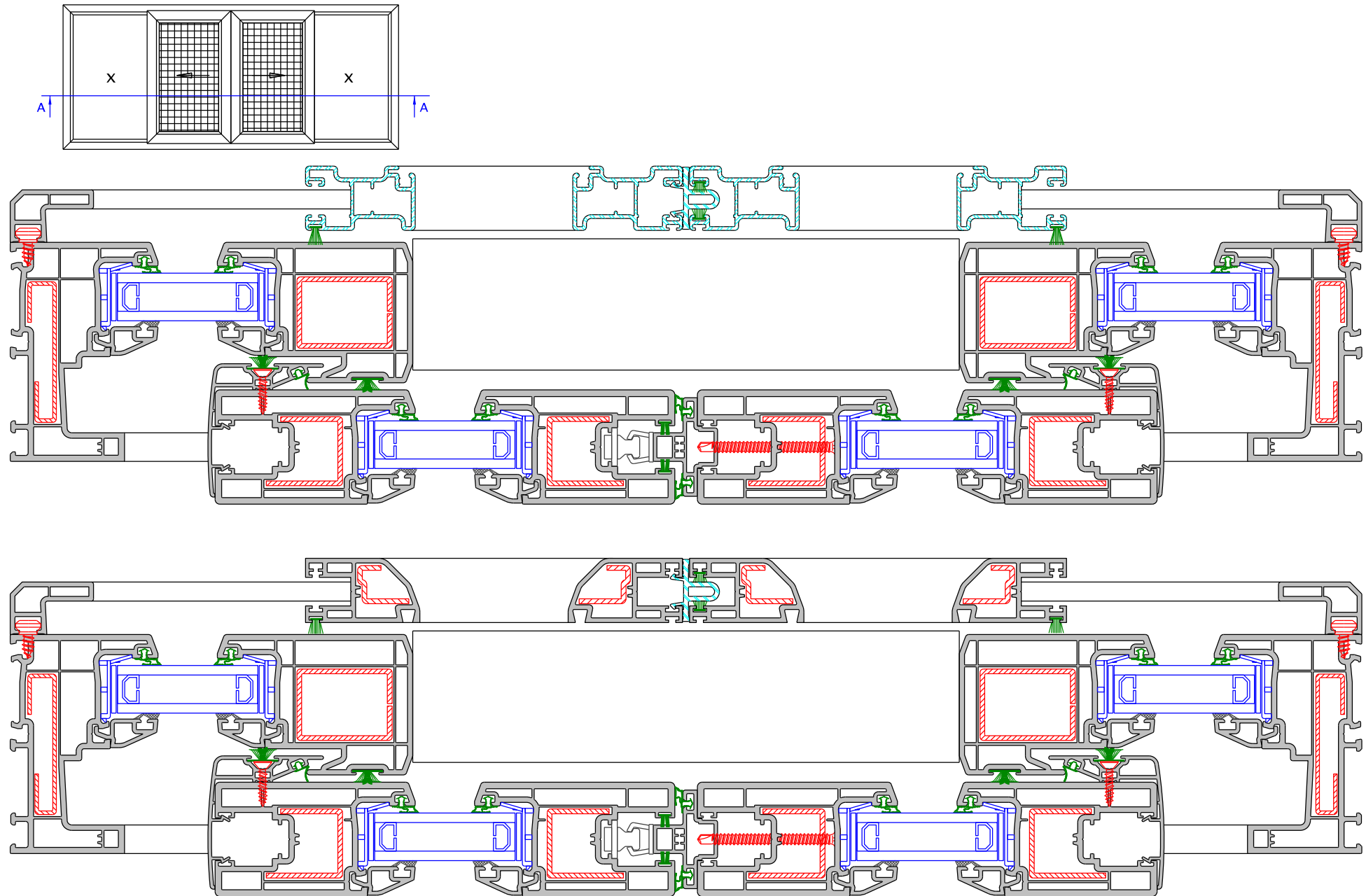
A-A

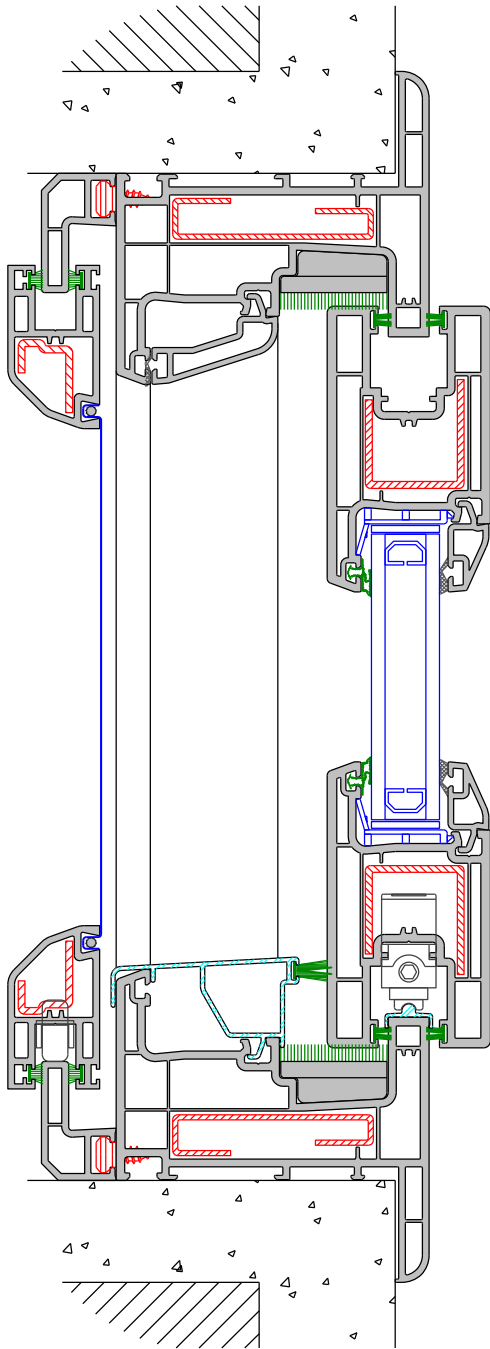


B-B

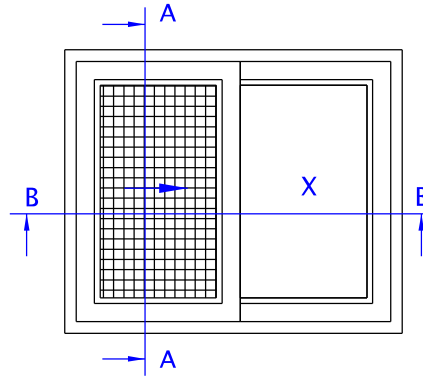








A-A



B-B

